



2016 Annual Report

Shifting Into Overdrive





Our Mission

Our talented people power a customer-centric organization that is continuously improving the performance and efficiency of vehicles and machines around the globe. We will consistently deliver superior products and service to our customers and will generate exceptional value for our shareholders.

This mission is embodied in our company theme:

People Finding A Better Way®

All cover photos were taken at a meeting of investors at the New York Stock Exchange.

Financial Summary

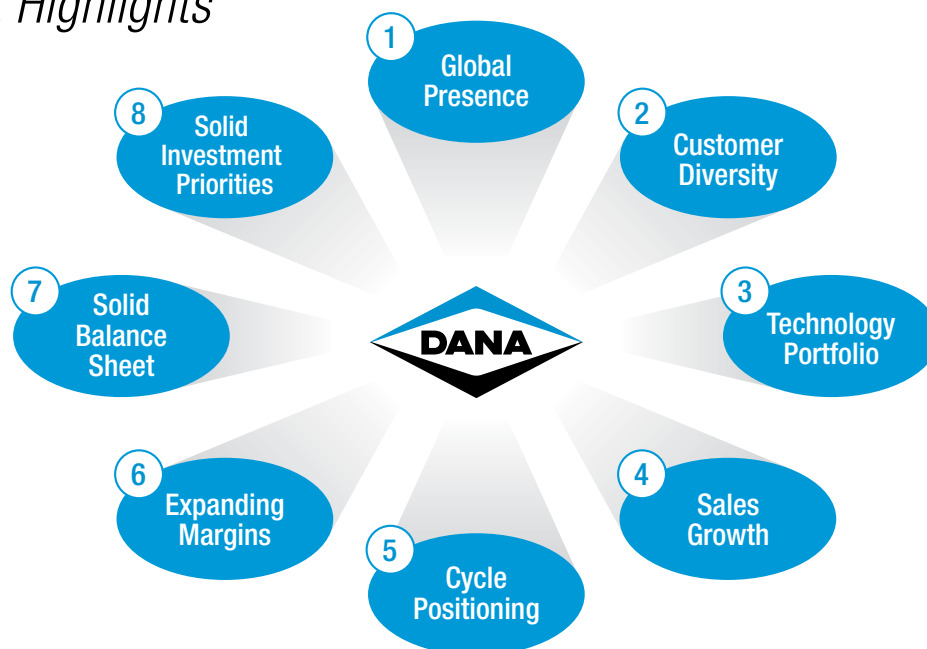
For the year ended Dec. 31, 2016
 \$ in millions except per share amounts

Annual Operating Results

	2016	2015
Sales	\$5,826	\$6,060
Net Income Attributable to Dana ¹	\$640	\$159
Adjusted EBITDA ²	\$660	\$652
Margin	11.3%	10.8%
Diluted Adjusted Earnings per Share ³	\$1.94	\$1.74
Cash Flow from Operations	\$384	\$406
Capital Spend	\$322	\$260
Employees at Year End	24,900	23,100
Major Facilities at Year End	91	90

Balance Sheet Total Cash and Marketable Securities: \$737 Net Debt: \$948 Liquidity: \$1,209

Investment Highlights



¹ 2016 net income includes a tax benefit of \$476 million for net release of tax valuation allowances and after-tax charges of \$52 million on divestitures and \$11 million for loss on debt extinguishment. Net income in 2016 includes net charges of \$68 million relating to impairment of a 50-percent-owned equity affiliate and for certain intangible and other assets.

² See page 32 of Dana's 2016 Form 10-K, included herein, for explanation and reconciliation of non-GAAP financial measures.

³ Diluted adjusted EPS is a non-GAAP financial measure, which we have defined as adjusted net income divided by adjusted diluted shares. See the "Quarterly Financial Information and Reconciliations of Non-GAAP Information" on Dana's Investor Relations website at www.dana.com/investors for explanation and calculation of diluted adjusted EPS.



Our Vision

To be the global technology leader in efficient power conveyance and energy-management solutions that enable our customers to achieve their sustainability objectives.

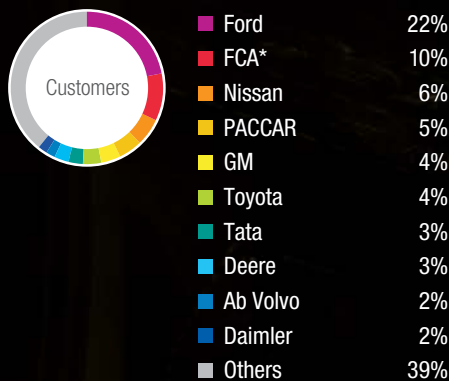
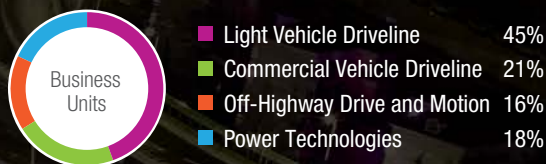
Global Footprint

One of the ways we create value is by positioning our technical and manufacturing resources where customers need us globally. With the 2017 acquisition of Brevini, Dana now operates in 34 countries.



Global Sales

As of December 31, 2016.
Consolidated sales only.



*Sales to Fiat Chrysler Automobiles include sales to Hyundai Mobis.

Business Units



Light Vehicle Driveline Technologies

Dana is a leading supplier of traditional and electrified light-vehicle driveline technologies, including complete drivetrain systems and components for passenger cars, crossover vehicles, SUVs, vans, and light trucks. Dana works collaboratively with original-equipment manufacturers and the aftermarket to deliver Dana® axles, Spicer® driveshafts, VariGlide® planetary variator transmission technology, and driveline components with best-in-class efficiency.



Commercial Vehicle Driveline Technologies

Dana is one of the world's premier providers of drivetrain and tire-pressure management systems, as well as genuine service parts for medium- and heavy-duty commercial vehicles. Our cutting-edge Spicer® innovations increase fuel efficiency and decrease weight while reducing maintenance and total cost of ownership.



Off-Highway Drive and Motion Technologies

Dana delivers fully optimized Spicer® drivetrain systems and individual product solutions to customers in construction, agriculture, material-handling, and underground-mining markets, as well as Brevini™ power-transmission and fluid-power technologies for associated work systems, tracked vehicles, and stationary industrial equipment. We bring our global expertise to the local level with solutions customized to individual requirements through a network of strategically located technology centers, manufacturing locations, and distribution facilities.



Power Technologies

Dana delivers Victor Reinz® sealing solutions and Long® thermal-management technologies to help reduce fuel consumption and emissions, while improving vehicle durability and performance. Our engineers anticipate industry trends to provide innovation, value, and quality in every technology, and our strong engineering know-how leads to high product performance, flexibility, and speed to market.



Dear Fellow Shareholder,

For well over a century, Dana has demonstrated the value of innovation by improving the performance and efficiency of the world's vehicles and industrial equipment through advanced, durable solutions.

The effectiveness of this approach is reflected in our solid financial performance. For the sixth consecutive year, Dana has delivered double-digit margins. In 2016, adjusted EBITDA was \$660 million, or 11.3 percent margin, on more than \$5.8 billion in revenues. In fact, all four of our business units improved year-over-year margins.

Moving forward, we will employ the considerable talents of our people as we address exciting changes in our industry that include tightening regulations on emissions, a growing appetite for more sustainable modes of transport, and the rapid rise of autonomous vehicle operation.

To capitalize on these changes, in 2016 we developed an enterprise strategy for increasing market penetration and

expanding our product portfolio. Titled "Shifting into Overdrive," our strategy uses our well-established technology and commitment to continuous improvement as a base and sets clear enterprise priorities that guide our activities and investments.

Announced at a presentation to investors at the New York Stock Exchange, this all-encompassing framework directs our collective decision-making and drives our functional expertise across all our business units. It focuses our attention on five primary dimensions: leveraging the core, strengthening customer centricity, expanding global markets, commercializing new technology, and accelerating hybridization and electrification.

Leveraging the Core

Dana occupies a unique position as one of the few suppliers that delivers advanced technologies and integration support to all major vehicle markets – passenger vehicles, commercial trucks, and off-highway machines – as well as stationary industrial equipment. As a result, we benefit from a substantial competitive advantage based on our ability to leverage our technology, processes, and assets across these end markets.

Our extremely dedicated people will further capitalize on this advantage through the sharing of best practices – in areas such as purchasing and safety – across our operational and functional activities, thus reducing costs and improving performance.

Our pursuit of operational excellence through our Dana Operating System will continue to drive our world-class engineering and manufacturing capabilities, reinforcing quality

processes, enhancing customer satisfaction, and ultimately increasing profitability.

Shared engineering and manufacturing resources supported by a centralized purchasing function enable Dana to leverage expertise across the enterprise, optimize resources to support multiple business units, and ultimately deliver modular designs that can be tailored to multiple end markets.

Dana serves the aftermarket across all four of its segments with a single organization that offers a unified supply chain with shared distribution centers around the world. We see a tremendous growth opportunity by expanding our geographic footprint and product offering, which, in part, is why we acquired Magnum Gaskets® in 2016. This transaction reflects our desire to seek inorganic opportunities that fit our growth strategy and help to provide greater value to our customers.

Last year, we also closed the acquisition of strategic assets of SIFCO S.A. in Brazil, and we announced the purchase of the power-transmission and fluid power businesses of Brevini Group, S.p.A. This transaction was completed Feb. 1, 2017, and integration efforts are already underway. The 2017 acquisition of a U.S. Manufacturing Corporation operation will strengthen our supply chain while providing new product and process technologies for lightweighting.

Strengthening Customer Centricity

Customer satisfaction is a result, not an action a company takes. The foundation for achieving exceptional success in this area starts with a company-wide culture that positions the customer at the center of everything we do as an organization.

Dana has made tremendous strides in the never-ending journey to strengthen customer centricity. We are intensely focused on the relationships with those we serve by providing outstanding quality, delivery, and cost performance, while supporting new vehicle programs with innovative technology and products.

Expanding Global Markets

Putting customers first requires a global perspective that enables full alignment through every phase of the relationship, including design, engineering, production, delivery, and aftermarket support.

We continue to deepen our commitment to our global markets by making investments that optimize our already substantial footprint and by driving growth in Asia and other key regions.

Our success in emerging markets will be driven by locally engineered and branded solutions – through our 16 technology centers around the world – as well as continued support for the global vehicle platforms of our largest customers.

With the addition of Brevini to the Dana family, it is worth noting that we are now serving our customers through operations in 34 countries.

Commercializing New Technology

In 2016, Dana invested \$196 million in engineering, which represents the seventh consecutive annual increase. This commitment to innovation has reaped clear dividends, as Dana engineers not only grew the number of patent applications by more than 50 percent over the previous year, but the company was also awarded its 10,000th patent in 2016.

Engineering innovations are delivering real-world benefits, and our product pipeline is growing with technologies

across all product categories and end markets. However, our success in commercializing new technologies is ultimately demonstrated in sales to our customers. Our 2017-2019 sales backlog of \$750 million is a powerful indicator of our ability to transform innovations into production-ready solutions.

Our success in this arena is further evidenced with recognition by industry associations. For example, three Dana technologies have been named as finalists for the 2017 *Automotive News* PACE Awards, which recognize superior innovation, technological advancement, and business performance among automotive suppliers. Dana was the only company with three technologies earning finalist status this year.

Accelerating Hybridization and Electrification

Dana's expertise in electronic controls and system integration provides an ideal platform for us to develop innovative products for hybrid and electric vehicles.

Dana already demonstrates leadership in electrification and hybridization through our market-leading Long® brand of battery and power-electronics cooling products, and our Spicer® Electrified™ portfolio of fully integrated motor, control, and e-drive technologies will propel the commercialization of electric propulsion systems in each of Dana's vehicle end markets.

Dana currently supplies Spicer® Helios™ EV Drive for electric vehicles, and we plan to introduce new e-axles for electric transit buses and city delivery vehicles in 2018. Our engineers are also working with automotive manufacturers to develop all-wheel-drive e-axles that deliver superior performance, packaging, and reliability.

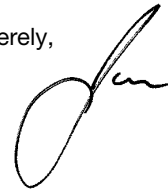
“Shifting into Overdrive” in Every Dimension

The quantifiable value we deliver to our customers, our deep roster of talented employees, and the reliable financial performance we offer our shareholders have provided tremendous momentum. As we move forward, we are shifting our performance into overdrive as a unified organization with a comprehensive enterprise strategy designed to further penetrate the markets we serve, expand our product portfolio, and ultimately increase customer satisfaction and shareholder value.

We are excited about our current position in the market and the opportunities that lie ahead. The underlying fundamentals of Dana's business have been and remain strong. We have delivered consistently solid financial results in spite of economic headwinds, and we are poised to grow profitably by adding \$1.4 billion of revenue over the course of the next three years while expanding our margins by more than 150 basis points.

On behalf of the Board of Directors and the thousands of Dana employees around the globe, I thank you for your confidence in our team as we further build upon our reputation as a customer-centric company that delivers on its commitments and always strives for improvement.

Sincerely,



James K. Kamsickas
President and Chief Executive Officer



SHIFTING INTO **OVERDRIVE**

Dana brings a laser focus to the five dimensions of its enterprise strategy – leveraging the core, strengthening customer centricity, expanding global markets, commercializing new technology, and accelerating hybridization and electrification. By aligning each of our efforts under this overarching framework, Dana is building on established competencies with a renewed commitment while penetrating new markets and expanding product offerings.



Central to our strategy is leveraging core operations by sharing capabilities, technologies, assets, and people across the enterprise – leading to improved execution and increased customer satisfaction. Leveraging investments across multiple end markets and making disciplined, value-enhancing acquisitions will allow us to bring products to market more quickly, grow top-line sales, and enhance financial returns.

Brevini welcomed to Dana portfolio

A seamless complement to Dana's current offerings, the power-transmission and fluid power technologies of Brevini Group, S.p.A. increase Dana content on off-highway and stationary industrial equipment.

The acquisition expands Dana's product portfolio with adjacent technologies

and establishes Dana as the only off-highway solutions provider that can manage the power to both move equipment and perform its critical work functions. It also adds tracked vehicles and a broader range of industrial equipment to Dana's addressable market while providing a platform of proven technologies that can serve Dana's on-highway end markets and accelerate the company's hybridization and electrification initiatives.

Expanding manufacturing presence to serve global markets

In support of new vehicle programs, Dana is constructing a state-of-the-art gear manufacturing facility in Eastern Europe. The new factory in Győr, Hungary – where Dana has operated for more than a decade – will serve as a significant enabler to further meet the regional needs of Dana's global customers.

The facility will enable Dana to deliver technologies to its regional customers more quickly and cost effectively while providing access to the company's advanced engineering, manufacturing, and sourcing expertise.

The facility will produce Spicer® AdvanTEK® hypoid or spiral bevel ring and pinion gear sets. Dana manufactures primary ring and pinion drive gearing for traditional banjo and beam axles, as well as all-wheel-drive systems.

Leveraging design across end markets

Developing modular designs that can be tailored to numerous end markets is a priority for Dana. Our Spicer® AdvanTEK® gear design extends this expertise across numerous categories, including passenger cars, SUVs, pickup trucks, and commercial vehicles. This unified approach optimizes Dana's engineering, components, supply chain, and manufacturing footprint to best support our customers.

Efficient Spicer AdvanTEK gearing offers best-in-class noise, vibration, and harshness performance, along with greater power density in a compact package. The offering helps customers improve durability while reducing vehicle weight.

The ability to leverage investments across multiple end markets is differentiating Dana.

Dana will expand regional gear manufacturing with a new facility in Hungary.



brevini

Power-Transmission Systems

Dana is adding Brevini™ hydraulic wheel and track drives to its product portfolio.





Foundational to growing the business is directing the entire organization to put the customer at the center of our value system and shift from transactional to relationship-based interactions. These relationships are built on a foundation of providing unparalleled technology with exceptional quality, delivery, and value.

Dana efficiency aids Navistar

With an eye to exceeding efficiency standards, Dana has entered into a multi-year commercial sales agreement with Navistar International Corporation for driveline components for on-highway, city delivery, bus, and vocational vehicles.

The truck maker has access to the full range of Dana's driveline products, and the agreement serves as a platform for collaboration on new technologies – bringing the two companies together to develop solutions that meet the specific needs of Navistar's customers.

Dana also offers industry-leading technologies optimized for engine downspeeding for select Navistar linehaul trucks.

In addition to this agreement, Navistar and Dana concurrently launched several extended warranty packages

for Navistar's school bus platform and its Durastar® medium-duty truck program. Spicer® S140 Series and Spicer 060 Series axles, Spicer E-Series steer axles, and Spicer driveshafts are all available components covered under the International Durastar Powertrain Warranty program. Dana also offers additional extended warranties on medium-duty truck and bus applications through the Dana Productivity and Dana Assurance packages.

New axle facility to support Jeep® brand

A high-tech axle manufacturing facility opens this year at a historically significant location in Toledo, Ohio. Supporting the Jeep® brand, Dana's new facility was previously home to the site where the original Jeep was born more than 75 years ago and is located less than three miles from the facility where the iconic vehicle will be built.

The facility will integrate Dana's best global manufacturing practices and advanced operating systems. Dana plans to assemble enhanced versions of its industry-recognized Dana 30™ and Dana 44™ axles, which will deliver increased power density and performance in a smaller package. Future axle programs will be announced soon. The 300,000 sq. ft. facility will employ more than 300 associates by 2020.

Magnum Gaskets® expands lineup of sealing products

With the acquisition of Magnum Gaskets®, Dana adds a supplier of aftermarket gaskets and sealing products for automotive and commercial-vehicle applications. The business enhances Dana's sealing product offerings and complements the company's Victor Reinz® and Glaser® global sealing brands.

This acquisition aligns with Dana's growth strategy and enables the company to increase customer satisfaction, while accelerating aftermarket growth by expanding the company's portfolio of products and their availability.

Dana 30™ and Dana 44™ axles will soon be assembled at a new facility in Toledo, Ohio.



Dana supplies advanced drivelines for Navistar's high-efficiency linehaul trucks.





We continue to deepen our commitment to our global markets by making investments that optimize our already substantial footprint, extensive market knowledge, and established supply chain.

Dana celebrates 25 years of business in China

Dana's presence in China dates back to 1991, and today the company operates more than a dozen facilities manufacturing a full range of products for each of the company's end markets.

Throughout the year the company celebrated its quarter century in the country at a variety of industry events, including Bauma China 2016. Dana

also hosted a symposium to promote innovation and manufacturing excellence in support of the country's "Made in China 2025" initiative.

Held at the company's technical and manufacturing campus in Wuxi, Jiangsu Province, representatives from Chinese vehicle manufacturers and other industry leaders addressed market trends and evolving technologies that influence the initiative.

Spicer® global axle: a local solution

A vast network of engineering, manufacturing, and distribution facilities gives Dana the ability to devise and quickly bring new concepts to market. With a commitment to local engineering, Dana tailors globally available technologies to the specific needs of regions around the world.

The Spicer® global single axle for trucks and coaches offers greater mechanical

efficiency at a lesser weight than competing offerings while delivering increased efficiency that is required by the industry and regional customization that buyers demand.

Engineered for 6x2 and 4x2 axle configurations, this family of single-reduction solo drive axles can be customized for a variety of vehicle applications.

Strategic driveline assets of SIFCO added in Brazil

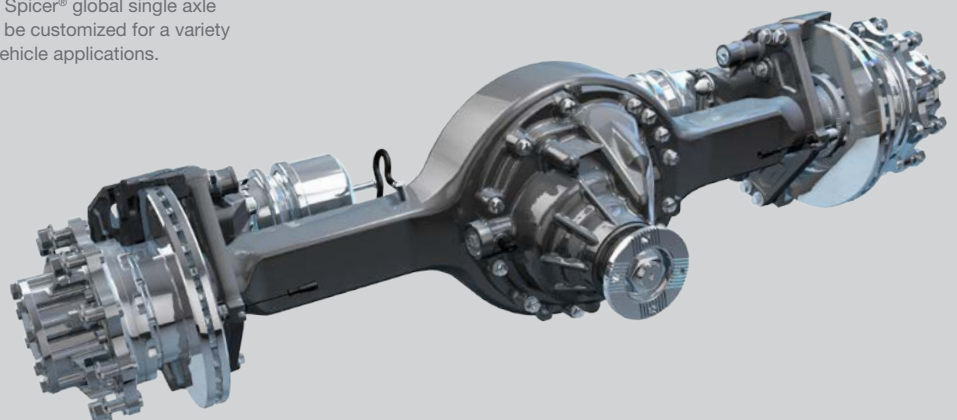
The purchase of manufacturing and other assets of SIFCO S.A., a leading producer of forged and machined components in Brazil, enhances Dana's vertically integrated supply chain and further improves the company's cost structure and customer satisfaction by leveraging SIFCO's extensive experience and knowledge of sophisticated forged components.

Expanding manufacturing capabilities in Brazil – where Dana has operated for nearly 70 years – enables the company to help vehicle manufacturers better accommodate local content requirements and further strengthens Dana's position as a central source for products that use forged and machined components throughout the region.

Dana tailors globally available technologies to the specific needs of regions around the world.



The Spicer® global single axle can be customized for a variety of vehicle applications.





Bringing new innovations will drive growth as our new products and technology provide our customers with cutting-edge solutions, address end-user needs, and capitalize on key market trends. In 2016, Dana engineers not only grew the number of patent applications by more than 50 percent over the previous year, but the company was also awarded its 10,000th patent.



Three technologies named finalists for industry award

Three Dana technologies were named finalists for the 2017 *Automotive News* PACE Awards, which are recognized globally as the industry benchmark among automotive suppliers. Dana finalists include:

Adaptive Air/Oil Separation System

This system incorporates Dana's Multi-Twister™ passive-adaptive air/oil separator into the company's Victor Reinz® cylinder-head cover. This cost-effective, maintenance-free solution optimizes engine performance while reducing oil consumption and vehicle emissions.

Tire-Pressure Management System

The Spicer® OpTiMa™ automatic tire inflation solution is new to the

commercial-vehicle tractor market and transmits air to tires on both steer and drive axles. It helps fleets extend tire life and reduce preventable blowouts by accurately monitoring and adjusting tire pressure.

Multi-Layer Steel Transmission Pump Gasket

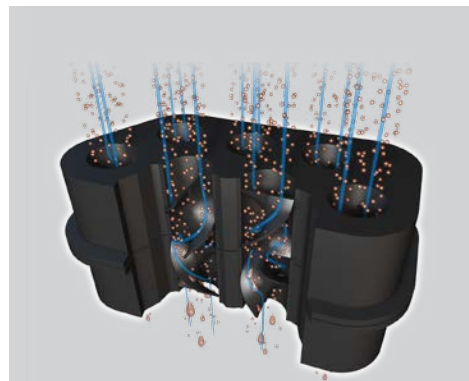
Dana designed this Victor Reinz® five-layer gasket to improve the performance and fuel economy of vehicles with higher-speed transmissions and to meet the sealing needs of higher operating pressures.

This marks the sixth consecutive year that Dana has been named a PACE Awards finalist. Only six global automotive suppliers have achieved this distinction.

Dana earns CLEPA Innovation Award for collaboration

Dana earned first place in the CLEPA Innovation Awards' Cooperation category for its work with Audi AG in developing multi-layer-steel transmission valve body separator plates.

The CLEPA Innovation Award recognizes the innovation capabilities of automotive suppliers with a presence in Europe. Receiving this accolade is a reflection on Dana's ability to effectively work with original-equipment manufacturers to develop game-changing technologies. CLEPA is the European Association of Automotive Suppliers.



PACE Award Finalist: Multi-Twister™ passive-adaptive air/oil separator

Spicer® Smart Suite™ boosts telehandler performance, safety

Dana's Spicer® Smart Suite™ Intelligent Load Monitoring System (ILMS) is an advanced technology option for telehandlers that uses data from across the vehicle to prevent tip-over incidents, provide better estimates of static loads, and supply intelligent calibration management.

The first in a series of connected-vehicle technology packages, ILMS collects data from the axle and other vehicle systems to provide robust, real-time operating metrics. As such, ILMS can offer vehicle and load monitoring in dynamic conditions, such as cornering, lifting, and shuttling.

In its basic implementation, the technology provides alerts of improper operating maneuvers. In its most sophisticated form, ILMS can monitor hazardous movements and work in conjunction with vehicle controllers to provide automatic countermeasures and restore safe operating conditions, such as retracting the boom.



Spicer® Smart Suite™ system uses vehicle data to help prevent tip-overs.

PACE Award Finalist: Multi-layer steel transmission pump gasket





Dana's growing portfolio of hybrid and electric driveline solutions represents significant opportunities for growth as consumers and governments demand more sustainable modes of transportation.

Spicer® Electrified™ portfolio introduced

Expanding on the company's portfolio of power technologies and drive axles for electric and hybrid vehicles, Dana has introduced the Spicer® Electrified™ portfolio of fully integrated motor, control, and e-drive technologies that advance electric propulsion systems.

Addressing light-, commercial-, and off-highway vehicle markets, the portfolio builds on Dana's extensive research in electric driveline technologies and

complements the company's battery and power-electronics cooling solutions offered under the Long® brand.

Currently in production, Spicer® EV Drive manages speed and torque from the e-motor to the wheels. Planned for launch in 2018, Dana's e-axles for electric transit buses and city delivery vehicles feature a fully integrated motor and gear box and leverage the company's vast experience in chassis drivetrain applications.

Our Spicer Electrified brand is the result of a comprehensive strategy to leverage Dana's experience and research across all vehicle markets to accelerate the introduction of cleaner, more efficient drivetrain components for electric and hybrid vehicles.

VariGlide® beltless transmission featured at industry conference

Dana's VariGlide® planetary variator for beltless continuously variable transmissions (CVT) was featured at the International VDI Conference in

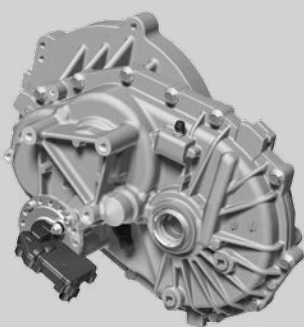
Friedrichshafen, Germany. VariGlide technology features a planetary coaxial configuration and eliminates belts and pulleys used in conventional CVTs – improving fuel economy by 5-10 percent.

Developed as a modular, bolt-in solution, the VariGlide variator provides a flexible, highly adaptable, power-dense solution that integrates into existing front-wheel-drive, all-wheel-drive, and rear-wheel-drive vehicle configurations with the added ability to support towing.

VariGlide technology offers superior NVH characteristics through its smooth and seamless operation. The scalable nature of this innovation provides solutions for vehicle architectures ranging from subcompacts to pickups and internal combustion to hybrid powertrains.

Dana is building on a half century of research in electric driveline technologies.

Dana's VariGlide® planetary variator technology helps improve fuel efficiency by 5-10 percent.



Dana's Spicer® Electrified™ portfolio of fully integrated motor, control, and e-drive technologies advance electric propulsion systems.

Dana Leadership

Board of Directors



Rachel A. Gonzalez ^{2,4}

Executive Vice
President and General
Counsel of Sabre
Director since 2017



James K. Kamsickas

President and Chief
Executive Officer of
Dana Incorporated
Director since 2015



Virginia A. Kamsky ^{3,4*}

Chairman and Chief
Executive Officer of
Kamsky Associates, Inc.
Director since 2011



Terrence J. Keating ^{2,4}

Retired Chairman of
Accuride Corporation
Director since 2008



Raymond E. Mabus, Jr. ^{3,4}

Former Secretary of
the United States Navy
Director since 2017



R. Bruce McDonald ^{2,3}

Chairman and Chief
Executive Officer of
Adient plc
Director since 2014



Mark A. Schulz ^{2,4}

Chief Executive Officer of
M.A. Schulz & Associates, LLC
Founding Partner of
Fortinalis Partners
Director since 2008



Keith E. Wandell ^{1,3*}

Retired President and
Chief Executive Officer
of Harley-Davidson, Inc.
Director since 2008

¹ Non-executive chairman

² Member, Audit Committee

³ Member, Compensation Committee

⁴ Member, Nominating and
Corporate Governance Committee

* Committee Chair

For full biographies, please refer to
dana.com/investors or the proxy.

Leadership Team

Aziz S. Aghili

President, Off-Highway Drive
and Motion Technologies

Jonathan M. Collins

Executive Vice President and
Chief Financial Officer

George T. Constand

Senior Vice President and
Chief Technology Officer

James K. Kamsickas

President and
Chief Executive Officer

Marc S. Levin

Senior Vice President, General
Counsel, and Secretary

Dwayne E. Matthews

President, Power Technologies

M. Craig Price

Vice President, Purchasing and
Supplier Development

Robert D. Pyle

President, Light Vehicle
Driveline Technologies

Mariya Trickett

Senior Vice President,
Human Resources

Antonio Valencia

Senior Vice President, China

Mark E. Wallace

Executive Vice President and
President, Commercial Vehicle
Driveline Technologies



Remembering Joseph C. Muscari

In September 2016, Dana lost the Chairman of its Board of Directors, Joseph C. Muscari, who passed away suddenly. A tremendous leader and a true gentleman, Mr. Muscari brought great wisdom, foresight, and business acumen to Dana's boardroom.

Mr. Muscari was first elected to the Dana Board of Directors in 2010 and served as its chairman since 2012. He also was Chairman of the Audit committee and was a member of the Compensation committee. At the time of his passing, he was Chairman and CEO of Minerals Technologies Inc. and was a member of its Board of Directors for more than 12 years. Prior to this, he spent more than 37 years with Alcoa Inc., where he held a number of executive positions, including Executive Vice President and Chief Financial Officer. He also served on the Board of Directors of EnerSys.

Dana is tremendously grateful for Mr. Muscari's service, and he is truly missed by the Dana family.

DAN

LISTED

NYSE

Form 10-K

(This page intentionally left blank.)

UNITED STATES
SECURITIES AND EXCHANGE COMMISSION
Washington, DC 20549

Form 10-K

Annual Report Pursuant to Section 13 or 15(d) of the Securities Exchange Act of 1934

For the Fiscal Year Ended: December 31, 2016

Commission File Number: 1-1063

Dana Incorporated

(Exact name of registrant as specified in its charter)

Delaware

(State of incorporation)

3939 Technology Drive, Maumee, OH

(Address of principal executive offices)

26-1531856

(IRS Employer Identification Number)

43537

(Zip Code)

Registrant's telephone number, including area code: (419) 887-3000

Securities registered pursuant to Section 12(b) of the Act:

<u>Title of each class</u>	<u>Name of each exchange on which registered</u>
Common Stock, par value \$0.01 per share	New York Stock Exchange

Securities registered pursuant to Section 12(g) of the Act: None.

Indicate by check mark if the registrant is a well-known seasoned issuer, as defined in Rule 405 of the Securities Act. Yes No

Indicate by check mark if the registrant is not required to file reports pursuant to Section 13 or 15(d) of the Act. Yes No

Indicate by check mark whether the registrant (1) has filed all reports required to be filed by Section 13 or 15(d) of the Securities Exchange Act of 1934 during the preceding 12 months (or for such shorter period that the registrant was required to file such reports), and (2) has been subject to such filing requirements for the past 90 days. Yes No

Indicate by check mark whether the registrant has submitted electronically and posted on its corporate web site, if any, every Interactive Data File required to be submitted and posted pursuant to Rule 405 of Regulation S-T (§232.405) during the preceding 12 months (or for such shorter period that the registrant was required to submit and post such files). Yes No

Indicate by check mark if disclosure of delinquent filers pursuant to Item 405 of Regulation S-K (§229.405 of this chapter) is not contained herein, and will not be contained, to the best of registrant's knowledge, in definitive proxy or information statements incorporated by reference in Part III of this Form 10-K or any amendment to this Form 10-K.

Indicate by check mark whether the registrant is a large accelerated filer, an accelerated filer, a non-accelerated filer, or a smaller reporting company. See the definitions of "large accelerated filer," "accelerated filer" and "smaller reporting company" in Rule 12b-2 of the Exchange Act.

Large accelerated filer Accelerated filer Non-accelerated filer Smaller reporting company

Indicate by check mark whether the registrant is a shell company (as defined in Rule 12b-2 of the Act). Yes No

The aggregate market value of the common stock held by non-affiliates of the registrant computed by reference to the closing price of the common stock on June 30, 2016 was \$1,512,538,357.

APPLICABLE ONLY TO CORPORATE ISSUERS:

There were 144,016,355 shares of the registrant's common stock outstanding at January 31, 2017.

DOCUMENTS INCORPORATED BY REFERENCE

Portions of the definitive Proxy Statement to be delivered to stockholders in connection with the Annual Meeting of Stockholders to be held on April 27, 2017 are incorporated by reference into Part III.

DANA INCORPORATED
FORM 10-K
YEAR ENDED DECEMBER 31, 2016

Table of Contents

	Pages
PART I	
Item 1 Business	1
Item 1A Risk Factors	5
Item 1B Unresolved Staff Comments	10
Item 2 Properties	11
Item 3 Legal Proceedings	11
PART II	
Item 5 Market for Registrant's Common Equity, Related Stockholder Matters and Issuer Purchases of Equity Securities	11
Item 6 Selected Financial Data	13
Item 7 Management's Discussion and Analysis of Financial Condition and Results of Operations	14
Item 7A Quantitative and Qualitative Disclosures about Market Risk	39
Item 8 Financial Statements and Supplementary Data	41
Item 9 Changes in and Disagreements With Accountants on Accounting and Financial Disclosure	94
Item 9A Controls and Procedures	94
Item 9B Other Information	94
PART III	
Item 10 Directors, Executive Officers and Corporate Governance	94
Item 11 Executive Compensation	94
Item 12 Security Ownership of Certain Beneficial Owners and Management and Related Stockholder Matters	95
Item 13 Certain Relationships and Related Transactions, and Director Independence	95
Item 14 Principal Accountant Fees and Services	95
PART IV	
Item 15 Exhibits and Financial Statement Schedules	96
Signatures	97
Exhibit Index	98
Exhibits	

Forward-Looking Information

Statements in this report (or otherwise made by us or on our behalf) that are not entirely historical constitute “forward-looking statements” within the meaning of the Private Securities Litigation Reform Act of 1995. Such forward-looking statements can often be identified by words such as “anticipates,” “expects,” “believes,” “intends,” “plans,” “predicts,” “seeks,” “estimates,” “projects,” “outlook,” “may,” “will,” “should,” “would,” “could,” “potential,” “continue,” “ongoing” and similar expressions, variations or negatives of these words. These statements represent the present expectations of Dana Incorporated and its consolidated subsidiaries (Dana) based on our current information and assumptions. Forward-looking statements are inherently subject to risks and uncertainties. Our plans, actions and actual results could differ materially from our present expectations due to a number of factors, including those discussed below and elsewhere in this report and in our other filings with the Securities and Exchange Commission (SEC). All forward-looking statements speak only as of the date made and we undertake no obligation to publicly update or revise any forward-looking statement to reflect events or circumstances that may arise after the date of this report.

PART I

(Dollars in millions, except per share amounts)

Item 1. Business

General

Dana Incorporated (Dana) is headquartered in Maumee, Ohio and was incorporated in Delaware in 2007. As a global provider of high technology driveline (axles, driveshafts and transmissions), sealing and thermal-management products our customer base includes virtually every major vehicle manufacturer in the global light vehicle, medium/heavy vehicle and off-highway markets. As of December 31, 2016 we employed approximately 24,900 people, operated in 25 countries and had 91 major facilities around the world.

The terms “Dana,” “we,” “our” and “us,” when used in this report are references to Dana. These references include the subsidiaries of Dana unless otherwise indicated or the context requires otherwise.

Overview of our Business

We have aligned our organization around four operating segments: Light Vehicle Driveline Technologies (Light Vehicle), Commercial Vehicle Driveline Technologies (Commercial Vehicle), Off-Highway Driveline Technologies (Off-Highway) and Power Technologies. These operating segments have global responsibility and accountability for business commercial activities and financial performance.

External sales by operating segment for the years ended December 31, 2016, 2015 and 2014 are as follows:

	2016		2015		2014	
	Dollars	% of Total	Dollars	% of Total	Dollars	% of Total
Light Vehicle	\$ 2,607	44.8%	\$ 2,482	40.9%	\$ 2,496	37.7%
Commercial Vehicle	1,254	21.5%	1,533	25.3%	1,838	27.8%
Off-Highway	909	15.6%	1,040	17.2%	1,231	18.6%
Power Technologies	1,056	18.1%	1,005	16.6%	1,052	15.9%
Total	<u>\$ 5,826</u>		<u>\$ 6,060</u>		<u>\$ 6,617</u>	

Refer to Segment Results of Operations in Item 7 and Note 19 to our consolidated financial statements in Item 8 for further financial information about our operating segments.

Our business is diversified across end-markets, products and customers. The following table summarizes the markets, products and largest customers of each of our operating segments as of December 31, 2016.

Segment	Markets	Products	Largest Customers
Light Vehicle	Light vehicle market: Light trucks (full frame) Sport utility vehicles Crossover utility vehicles Vans Passenger cars	Front axles Rear axles Driveshafts/Propshafts Differentials Torque couplings Modular assemblies	Ford Motor Company Fiat Chrysler Automobiles* Renault-Nissan Alliance Toyota Motor Company General Motors Company Tata Motors
Commercial Vehicle	Medium/heavy vehicle market: Medium duty trucks Heavy duty trucks Buses Specialty vehicles	Steer axles Drive axles Driveshafts Tire inflation systems	PACCAR Inc Ford Motor Company AB Volvo Daimler AG Navistar International Corporation
Off-Highway	Off-Highway market: Construction Earth moving Agricultural Mining Forestry Rail Material handling	Front axles Rear axles Driveshafts Transmissions Torque converters Tire inflation systems Electronic controls	Deere & Company AGCO Corporation Manitou Group Oshkosh Corporation Sandvik AB
Power Technologies	Light vehicle market Medium/heavy vehicle market Off-Highway market	Gaskets Cover modules Heat shields Engine sealing systems Cooling Heat transfer products	Ford Motor Company General Motors Company Renault-Nissan Alliance Mahle GmbH Volkswagen AG

* Via a directed supply relationship with Hyundai Mobis.

Geographic Operations

We maintain administrative and operational organizations in North America, Europe, South America and Asia Pacific to support our operating segments, assist with the management of affiliate relations and facilitate financial and statutory reporting and tax compliance on a worldwide basis. Our operations are located in the following countries:

North America	Europe	South America	Asia Pacific
Canada	Belgium	Argentina	Australia
Mexico	France	Brazil	China
United States	Germany	Colombia	India
	Hungary	Ecuador	Japan
	Italy		South Korea
	Russia		Taiwan
			Thailand

Our non-U.S. subsidiaries and affiliates manufacture and sell products similar to those we produce in the United States. Operations outside the U.S. may be subject to a greater risk of changing political, economic and social environments, changing governmental laws and regulations, currency revaluations and market fluctuations than our domestic operations. See the discussion of risk factors in Item 1A.

Sales reported by our non-U.S. subsidiaries comprised \$3,131 of our 2016 consolidated sales of \$5,826. A summary of sales and long-lived assets by geographic region can be found in Note 19 to our consolidated financial statements in Item 8.

Customer Dependence

We are largely dependent on light vehicle, medium- and heavy-duty vehicle and off-highway original equipment manufacturer (OEM) customers. Ford Motor Company (Ford) was the only individual customer accounting for 10% or more of our consolidated sales in 2016. As a percentage of total sales from operations, our sales to Ford were approximately 22% in 2016, 20% in 2015 and 18% in 2014 and our sales to Fiat Chrysler Automobiles (via a directed supply relationship with Hyundai Mobis), our second largest customer, were approximately 9% in 2016, 9% in 2015 and 8% in 2014. Renault-Nissan Alliance, PACCAR Inc and General Motors Company were our third, fourth and fifth largest customers in 2016. Our 10 largest customers collectively accounted for approximately 62% of our sales in 2016.

Loss of all or a substantial portion of our sales to Ford or other large volume customers would have a significant adverse effect on our financial results until such lost sales volume could be replaced and there is no assurance that any such lost volume would be replaced.

Sources and Availability of Raw Materials

We use a variety of raw materials in the production of our products, including steel and products containing steel, stainless steel, forgings, castings and bearings. Other commodity purchases include aluminum, brass, copper and plastics. These materials are typically available from multiple qualified sources in quantities sufficient for our needs. However, some of our operations remain dependent on single sources for certain raw materials.

While our suppliers have generally been able to support our needs, our operations may experience shortages and delays in the supply of raw material from time to time due to strong demand, capacity limitations, short lead times, production schedule increases from our customers and other problems experienced by the suppliers. A significant or prolonged shortage of critical components from any of our suppliers could adversely impact our ability to meet our production schedules and to deliver our products to our customers in a timely manner.

Seasonality

Our businesses are generally not seasonal. However, in the light vehicle market, our sales are closely related to the production schedules of our OEM customers and those schedules have historically been weakest in the third quarter of the year due to a large number of model year change-overs that occur during this period. Additionally, third-quarter production schedules in Europe are typically impacted by the summer vacation schedules and fourth-quarter production is affected globally by year-end holidays.

Backlog

A substantial amount of the new business we are awarded by OEMs is granted well in advance of a program launch. These awards typically extend through the life of the given program. This backlog of new business does not represent firm orders. We estimate future sales from new business using the projected volume under these programs.

Competition

Within each of our markets, we compete with a variety of independent suppliers and distributors, as well as with the in-house operations of certain OEMs. With a renewed focus on product innovation, we differentiate ourselves through efficiency and performance, reliability, materials and processes, sustainability and product extension.

The following table summarizes our principal competitors by operating segment as of December 31, 2016.

Segment	Principal Competitors
Light Vehicle	ZF Friedrichshafen AG GKN plc American Axle & Manufacturing Holdings, Inc. Magna International Inc. Wanxiang Group Corporation Hitachi Automotive Systems, Ltd. IFA ROTORION Holding GmbH Neapco, LLC Vertically integrated OEM operations
Commercial Vehicle	Meritor, Inc. American Axle & Manufacturing Holdings, Inc. Hendrickson (a subsidiary of the Boler Company) Klein Products Inc. Tirsan Kardan Vertically integrated OEM operations
Off-Highway	Carraro Group ZF Friedrichshafen AG GKN plc Kessler + Co. Meritor, Inc. YTO Group Comer Industries Hema Endustri A.S. Vertically integrated OEM operations
Power Technologies	ElringKlinger AG Federal-Mogul Corporation Freudenberg NOK Group MAHLE GmbH Modine Manufacturing Company Valeo Group YinLun Co., LTD Denso Corporation

Intellectual Property

Our proprietary driveline and power technologies product lines have strong identities in the markets we serve. Throughout these product lines, we manufacture and sell our products under a number of patents that have been obtained over a period of years and expire at various times. We consider each of these patents to be of value and aggressively protect our rights throughout the world against infringement. We are involved with many product lines and the loss or expiration of any particular patent would not materially affect our sales and profits.

We own or have licensed numerous trademarks that are registered in many countries, enabling us to market our products worldwide. For example, our Spicer®, Victor Reinz® and Long® trademarks are widely recognized in their market segments.

Engineering and Research and Development

Since our introduction of the automotive universal joint in 1904, we have been focused on technological innovation. Our objective is to be an essential partner to our customers and we remain highly focused on offering superior product quality, technologically advanced products, world-class service and competitive prices. To enhance quality and reduce costs, we use

statistical process control, cellular manufacturing, flexible regional production and assembly, global sourcing and extensive employee training.

We engage in ongoing engineering and research and development activities to improve the reliability, performance and cost-effectiveness of our existing products and to design and develop innovative products that meet customer requirements for new applications. We are integrating related operations to create a more innovative environment, speed product development, maximize efficiency and improve communication and information sharing among our research and development operations. At December 31, 2016, we had eight stand-alone technical and engineering centers and eight additional sites at which we conduct research and development activities. Our research and development costs were \$81 in 2016, \$75 in 2015 and \$72 in 2014. Total engineering expenses including research and development were \$196 in 2016, \$183 in 2015 and \$176 in 2014.

Our research and development activities continue to improve customer value. For all of our markets, this means drivelines with higher torque capacity, reduced weight and improved efficiency. End-use customers benefit by having vehicles with better fuel economy and reduced cost of ownership. We are also developing a number of power technologies products for vehicular and other applications that will assist fuel cell, battery and hybrid vehicle manufacturers in making their technologies commercially viable in mass production.

Employees

The following table summarizes our employees by operating segment as of December 31, 2016.

Segment	Employees
Light Vehicle	10,100
Commercial Vehicle	5,900
Off-Highway	2,700
Power Technologies	4,900
Technical and administrative	1,300
Total	24,900

Environmental Compliance

We make capital expenditures in the normal course of business as necessary to ensure that our facilities are in compliance with applicable environmental laws and regulations. The cost of environmental compliance has not been a material part of capital expenditures and did not have a material adverse effect on our earnings or competitive position in 2016.

Available Information

Our annual reports on Form 10-K, quarterly reports on Form 10-Q, current reports on Form 8-K and amendments to those reports filed pursuant to Section 13 or 15(d) of the Securities Exchange Act of 1934 as amended (Exchange Act) are available, free of charge, on or through our Internet website at <http://www.dana.com/investors> as soon as reasonably practicable after we electronically file such materials with, or furnish them to, the SEC. Copies of any materials we file with the SEC can also be obtained free of charge through the SEC's website at <http://www.sec.gov>, at the SEC's Public Reference Room at 100 F Street, N.E., Washington, D.C. 20549, or by calling the SEC's Office of Investor Education and Advocacy at 1-800-732-0330. We also post our *Corporate Governance Guidelines*, *Standards of Business Conduct for Members of the Board of Directors*, Board Committee membership lists and charters, *Standards of Business Conduct* and other corporate governance materials on our Internet website. Copies of these posted materials are also available in print, free of charge, to any stockholder upon request from: Dana Incorporated, Investor Relations, P.O. Box 1000, Maumee, Ohio 43537, or via telephone in the U.S. at 800-537-8823 or e-mail at InvestorRelations@dana.com. The inclusion of our website address in this report is an inactive textual reference only and is not intended to include or incorporate by reference the information on our website into this report.

Item 1A. Risk Factors

We are impacted by events and conditions that affect the light vehicle, medium/heavy vehicle and off-highway markets that we serve, as well as by factors specific to Dana. Among the risks that could materially adversely affect our business, financial condition or results of operations are the following, many of which are interrelated.

Risk Factors Related to the Markets We Serve

Failure to sustain a continuing economic recovery in the United States and elsewhere could have a substantial adverse effect on our business.

Our business is tied to general economic and industry conditions as demand for vehicles depends largely on the strength of the economy, employment levels, consumer confidence levels, the availability and cost of credit and the cost of fuel. These factors have had and could continue to have a substantial impact on our business.

We expect global market conditions to result in overall comparable sales in 2017. We expect the North America economic climate will continue to be modestly strong to stable with light vehicle demand levels continuing to be strong, while the medium/heavy truck market is expected to be weaker and the off-highway market remains relatively stable at already weak levels. The economy in Europe is expected to improve modestly, with on-highway markets being slightly stronger while the off-highway market remains weak but stable. The South America countries where we do business are expected to remain relatively weak, but show signs of improvement as we progress through 2017. We expect the rate of growth to be more modest in the Asia Pacific region in 2017, with the markets we serve in the region being relatively stable or facing some headwinds. Adverse developments in the economic conditions of any of these markets could reduce demand for new vehicles, causing our customers to reduce their vehicle production and, as a result, demand for our products would be adversely affected.

Certain political developments occurring this past year have provided increased economic uncertainty. The United Kingdom's decision to exit the European Union and the results of the presidential election in the U.S. both could result in economic and trade policy actions that would impact economic conditions in various countries, the cost of importing into the U.S. and the competitive landscape of our customers, suppliers and competitors.

Adverse global economic conditions could also cause our customers and suppliers to experience severe economic constraints in the future, including bankruptcy, which could have a material adverse impact on our financial position and results of operations.

We could be adversely impacted by the loss of any of our significant customers, changes in their requirements for our products or changes in their financial condition.

We are reliant upon sales to several significant customers. Sales to our ten largest customers accounted for 62% of our overall sales in 2016. Changes in our business relationships with any of our large customers or in the timing, size and continuation of their various programs could have a material adverse impact on us.

The loss of any of these customers, the loss of business with respect to one or more of their vehicle models on which we have high component content, or a significant decline in the production levels of such vehicles would negatively impact our business, results of operations and financial condition. Pricing pressure from our customers also poses certain risks. Inability on our part to offset pricing concessions with cost reductions would adversely affect our profitability. We are continually bidding on new business with these customers, as well as seeking to diversify our customer base, but there is no assurance that our efforts will be successful. Further, to the extent that the financial condition of our largest customers deteriorates, including possible bankruptcies, mergers or liquidations, or their sales otherwise decline, our financial position and results of operations could be adversely affected.

We may be adversely impacted by changes in international legislative and political conditions.

We operate in 25 countries around the world and we depend on significant foreign suppliers and customers. Further, we have several growth initiatives that are targeting emerging markets like China and India. Legislative and political activities within the countries where we conduct business, particularly in emerging markets and less developed countries, could adversely impact our ability to operate in those countries. The political situation in a number of countries in which we operate could create instability in our contractual relationships with no effective legal safeguards for resolution of these issues, or potentially result in the seizure of our assets. Through January 23, 2015, we operated in Venezuela where government exchange controls and policies placed restrictions on our ability to operate effectively and repatriate funds. Our risk associated with operating in this country was eliminated with the divestiture of our operations in Venezuela on January 23, 2015. However, we expect to continue exporting product to Venezuela, and our ability to do so effectively could be adversely impacted by Venezuela government policies. We operate in Argentina, where trade-related initiatives and other government restrictions limit our

ability to optimize operating effectiveness. At December 31, 2016, our net asset exposure related to Argentina was approximately \$15, including \$10 of net fixed assets.

We may be adversely impacted by the strength of the U.S. dollar relative to the currencies in the other countries in which we do business.

Approximately 54% of our sales in 2016 were from operations located in countries other than the U.S. Currency variations can have an impact on our results (expressed in U.S. dollars). Currency variations can also adversely affect margins on sales of our products in countries outside of the U.S. and margins on sales of products that include components obtained from affiliates or other suppliers located outside of the U.S. Strengthening of the U.S. dollar against the euro and currencies of other countries in which we have operations has had and could continue to have an adverse effect on our results reported in U.S. dollars. We use a combination of natural hedging techniques and financial derivatives to mitigate foreign currency exchange rate risks. Such hedging activities may be ineffective or may not offset more than a portion of the adverse financial impact resulting from currency variations.

We may be adversely impacted by new laws, regulations or policies of governmental organizations related to increased fuel economy standards and reduced greenhouse gas emissions, or changes in existing ones.

The markets and customers we serve are subject to substantial government regulation, which often differs by state, region and country. These regulations, and proposals for additional regulation, are advanced primarily out of concern for the environment (including concerns about global climate change and its impact) and energy independence. We anticipate that the number and extent of these regulations, and the costs to comply with them, will increase significantly in the future.

In the U.S., vehicle fuel economy and greenhouse gas emissions are regulated under a harmonized national program administered by the National Highway Traffic Safety Administration and the Environmental Protection Agency (EPA). Other governments in the markets we serve are also creating new policies to address these same issues, including the European Union, Brazil, China and India. These government regulatory requirements could significantly affect our customers by altering their global product development plans and substantially increasing their costs, which could result in limitations on the types of vehicles they sell and the geographical markets they serve. Any of these outcomes could adversely affect our financial position and results of operations.

Company-Specific Risk Factors

We have taken, and continue to take, cost-reduction actions. Although our process includes planning for potential negative consequences, the cost-reduction actions may expose us to additional production risk and could adversely affect our sales, profitability and ability to attract and retain employees.

We have been reducing costs in all of our businesses and have discontinued product lines, exited businesses, consolidated manufacturing operations and positioned operations in lower cost locations. The impact of these cost-reduction actions on our sales and profitability may be influenced by many factors including our ability to successfully complete these ongoing efforts, our ability to generate the level of cost savings we expect or that are necessary to enable us to effectively compete, delays in implementation of anticipated workforce reductions, decline in employee morale and the potential inability to meet operational targets due to our inability to retain or recruit key employees.

We depend on our subsidiaries for cash to satisfy the obligations of the company.

Our subsidiaries conduct all of our operations and own substantially all of our assets. Our cash flow and our ability to meet our obligations depend on the cash flow of our subsidiaries. In addition, the payment of funds in the form of dividends, intercompany payments, tax sharing payments and otherwise may be subject to restrictions under the laws of the countries of incorporation of our subsidiaries or the by-laws of the subsidiary.

Labor stoppages or work slowdowns at Dana, key suppliers or our customers could result in a disruption in our operations and have a material adverse effect on our businesses.

We and our customers rely on our respective suppliers to provide parts needed to maintain production levels. We all rely on workforces represented by labor unions. Workforce disputes that result in work stoppages or slowdowns could disrupt operations of all of these businesses, which in turn could have a material adverse effect on the supply of, or demand for, the products we supply our customers.

We could be adversely affected if we are unable to recover portions of commodity costs (including costs of steel, other raw materials and energy) from our customers.

We continue to work with our customers to recover a portion of our material cost increases. While we have been successful in the past recovering a significant portion of such cost increases, there is no assurance that increases in commodity costs will not adversely impact our profitability in the future.

We could be adversely affected if we experience shortages of components from our suppliers or if disruptions in the supply chain lead to parts shortages for our customers.

A substantial portion of our annual cost of sales is driven by the purchase of goods and services. To manage and minimize these costs, we have been consolidating our supplier base. As a result, we are dependent on single sources of supply for some components of our products. We select our suppliers based on total value (including price, delivery and quality), taking into consideration their production capacities and financial condition, and we expect that they will be able to support our needs. However, there is no assurance that adverse financial conditions, including bankruptcies of our suppliers, reduced levels of production, natural disasters or other problems experienced by our suppliers will not result in shortages or delays in their supply of components to us or even in the financial collapse of one or more such suppliers. If we were to experience a significant or prolonged shortage of critical components from any of our suppliers, particularly those who are sole sources, and were unable to procure the components from other sources, we would be unable to meet our production schedules for some of our key products and to ship such products to our customers in a timely fashion, which would adversely affect our sales, profitability and customer relations.

Adverse economic conditions, natural disasters and other factors can similarly lead to financial distress or production problems for other suppliers to our customers which can create disruptions to our production levels. Any such supply-chain induced disruptions to our production are likely to create operating inefficiencies that will adversely affect our sales, profitability and customer relations.

We ended the contractual relationship with one of our largest suppliers at the end of 2014 and established relationships with alternative suppliers. During the first half of 2015, as we transitioned to the new suppliers, we were challenged with relatively high levels of demand in the market segment supported by these suppliers. This resulted in increased costs in the first half of 2015. Additionally, our inability to fully satisfy customer demands led to some lost business with a significant customer. There is a risk that our operating results and customer relationships could be adversely impacted if other supplier transitions are not completed effectively.

In 2014, the financial condition of a major supplier to our South America operations led to them pursuing legal reorganization. As more fully described in Notes 2 and 3 of the consolidated financial statements in Item 8, legal actions were required in 2015 to maintain the supply of product from this supplier and, in 2016, we ultimately acquired strategic assets from this supplier necessary to satisfy our customer commitments.

In 2016, the financial condition of a single source supplier to our North American operations led them to request significant price increases which we have not accepted. Although this supplier is providing us with the required supply, there is continued uncertainty whether we will be able to maintain cost-effective, uninterrupted supply.

Our profitability and results of operations may be adversely affected by program launch difficulties.

The launch of new business is a complex process, the success of which depends on a wide range of factors, including the production readiness of our manufacturing facilities and manufacturing processes and those of our suppliers, as well as factors related to tooling, equipment, employees, initial product quality and other factors. Our failure to successfully launch material new or takeover business could have an adverse effect on our profitability and results of operations.

We use important intellectual property in our business. If we are unable to protect our intellectual property or if a third party makes assertions against us or our customers relating to intellectual property rights, our business could be adversely affected.

We own important intellectual property, including patents, trademarks, copyrights and trade secrets, and are involved in numerous licensing arrangements. Our intellectual property plays an important role in maintaining our competitive position in a number of the markets that we serve. Our competitors may develop technologies that are similar or superior to our proprietary technologies or design around the patents we own or license. Further, as we expand our operations in jurisdictions where the

protection of intellectual property rights is less robust, the risk of others duplicating our proprietary technologies increases, despite efforts we undertake to protect them. Developments or assertions by or against us relating to intellectual property rights, and any inability to protect these rights, could have a material adverse impact on our business and our competitive position.

We could encounter unexpected difficulties integrating acquisitions and joint ventures.

We acquired businesses in 2016, and we expect to complete additional acquisitions and investments in the future that complement or expand our businesses. The success of this strategy will depend on our ability to successfully complete these transactions or arrangements, to integrate the businesses acquired in these transactions and to develop satisfactory working arrangements with our strategic partners in the joint ventures. We could encounter unexpected difficulties in completing these transactions and integrating the acquisitions with our existing operations. We also may not realize the degree or timing of benefits anticipated when we entered into a transaction.

Several of our joint ventures operate pursuant to established agreements and, as such, we do not unilaterally control the joint venture. There is a risk that the partners' objectives for the joint venture may not be aligned with ours, leading to potential differences over management of the joint venture that could adversely impact its financial performance and consequent contribution to our earnings. Additionally, inability on the part of our partners to satisfy their contractual obligations under the agreements could adversely impact our results of operations and financial position.

We could be adversely impacted by the costs of environmental, health, safety and product liability compliance.

Our operations are subject to environmental laws and regulations in the U.S. and other countries that govern emissions to the air; discharges to water; the generation, handling, storage, transportation, treatment and disposal of waste materials; and the cleanup of contaminated properties. Historically, other than an EPA settlement as part of our bankruptcy proceedings, environmental costs related to our former and existing operations have not been material. However, there is no assurance that the costs of complying with current environmental laws and regulations, or those that may be adopted in the future, will not increase and adversely impact us.

There is also no assurance that the costs of complying with current laws and regulations, or those that may be adopted in the future, that relate to health, safety and product liability matters will not adversely impact us. There is also a risk of warranty and product liability claims, as well as product recalls, if our products fail to perform to specifications or cause property damage, injury or death. (See Notes 15 and 16 to our consolidated financial statements in Item 8 for additional information on product liabilities and warranties.)

A failure of our information technology infrastructure could adversely impact our business and operations.

We recognize the increasing volume of cyber attacks and employ commercially practical efforts to provide reasonable assurance that the risks of such attacks are appropriately mitigated. Each year, we evaluate the threat profile of our industry to stay abreast of trends and to provide reasonable assurance our existing countermeasures will address any new threats identified. Despite our implementation of security measures, our IT systems and those of our service providers are vulnerable to circumstances beyond our reasonable control including acts of terror, acts of government, natural disasters, civil unrest and denial of service attacks which may lead to the theft of our intellectual property, trade secrets or business disruption. To the extent that any disruption or security breach results in a loss or damage to our data or an inappropriate disclosure of confidential information, it could cause significant damage to our reputation, affect our relationships with our customers, suppliers and employees, lead to claims against the company and ultimately harm our business. Additionally, we may be required to incur significant costs to protect against damage caused by these disruptions or security breaches in the future.

We participate in certain multi-employer pension plans which are not fully funded.

We contribute to certain multi-employer defined benefit pension plans for our union-represented employees in the U.S. in accordance with our collective bargaining agreements. Contributions are based on hours worked except in cases of layoff or leave where we generally contribute based on 40 hours per week for a maximum of one year. The plans are not fully funded as of December 31, 2016. We could be held liable to the plans for our obligation, as well as those of other employers, due to our participation in the plans. Contribution rates could increase if the plans are required to adopt a funding improvement plan, if the performance of plan assets does not meet expectations or as a result of future collectively bargained wage and benefit agreements. (See Note 11 to our consolidated financial statements in Item 8 for additional information on multi-employer pension plans.)

Changes in interest rates and asset returns could increase our pension funding obligations and reduce our profitability.

We have unfunded obligations under certain of our defined benefit pension and other postretirement benefit plans. The valuation of our future payment obligations under the plans and the related plan assets are subject to significant adverse changes if the credit and capital markets cause interest rates and projected rates of return to decline. Such declines could also require us to make significant additional contributions to our pension plans in the future. A material increase in the unfunded obligations of these plans could also result in a significant increase in our pension expense in the future.

We may incur additional tax expense or become subject to additional tax exposure.

Our provision for income taxes and the cash outlays required to satisfy our income tax obligations in the future could be adversely affected by numerous factors. These factors include changes in the level of earnings in the tax jurisdictions in which we operate, changes in the valuation of deferred tax assets, changes in our plans to repatriate the earnings of our non-U.S. operations to the U.S. and changes in tax laws and regulations. The 2016 presidential election in the U.S. has resulted in an administration and Congress that are controlled by the same party. Changes to tax policy and tax rates are considered likely and, depending on the nature of these changes, could have a significant impact on our business and financial results. Our income tax returns are subject to examination by federal, state and local tax authorities in the U.S. and tax authorities outside the U.S. The results of these examinations and the ongoing assessments of our tax exposures could also have an adverse effect on our provision for income taxes and the cash outlays required to satisfy our income tax obligations.

Our ability to utilize our net operating loss carryforwards may be limited.

Net operating loss carryforwards (NOLs) approximating \$796 were available at December 31, 2016 to reduce future U.S. income tax liabilities. Our ability to utilize these NOLs may be limited as a result of certain change of control provisions of the U.S. Internal Revenue Code of 1986, as amended (Code). Of this amount, NOLs of approximately \$577 are treated as losses incurred before the change of control upon emergence from Chapter 11 and are limited to annual utilization of \$84. The balance of our NOLs, treated as incurred subsequent to the change in control, is not subject to limitation as of December 31, 2016. However, there can be no assurance that trading in our shares will not effect another change in control under the Code, which would further limit our ability to utilize our available NOLs. Such limitations may cause us to pay income taxes earlier and in greater amounts than would be the case if the NOLs were not subject to limitation.

Risk Factors Related to our Securities

Provisions in our Restated Certificate of Incorporation and Bylaws may discourage a takeover attempt.

Certain provisions of our Restated Certificate of Incorporation and Bylaws, as well as the General Corporation Law of the State of Delaware, may have the effect of delaying, deferring or preventing a change in control of Dana. Such provisions, including those governing the nomination of directors, limiting who may call special stockholders' meetings and eliminating stockholder action by written consent, may make it more difficult for other persons, without the approval of our board of directors, to make a tender offer or otherwise acquire substantial amounts of common stock or to launch other takeover attempts that a stockholder might consider to be in such stockholder's best interest.

Item 1B. Unresolved Staff Comments

The Company has received no written comments regarding its periodic or current reports from the staff of the SEC that were issued 180 days or more preceding the end of its 2016 fiscal year and that remain unresolved.

Item 2. Properties

Type of Facility	North America	Europe	South America	Asia Pacific	Total
Light Vehicle					
Manufacturing/Distribution	13	3	5	9	30
Commercial Vehicle					
Manufacturing/Distribution	8	4	5	4	21
Off-Highway					
Manufacturing/Distribution	2	8		2	12
Power Technologies					
Manufacturing/Distribution	12	4		1	17
Technical and Engineering Centers	3				3
Corporate and other					
Administrative Offices	2			1	3
Technical and Engineering Centers - Multiple Segments	2			3	5
	<u>42</u>	<u>19</u>	<u>10</u>	<u>20</u>	<u>91</u>

As of December 31, 2016, we operated in 25 countries and had 91 major facilities housing manufacturing and distribution operations, technical and engineering centers and administrative offices. In addition to the eight stand-alone technical and engineering centers in the table above, we have eight technical and engineering centers housed within manufacturing sites. We lease 34 of these facilities and a portion of four others and own the remainder. We believe that all of our property and equipment is properly maintained.

Our world headquarters is located in Maumee, Ohio. This facility and other facilities in the greater Detroit, Michigan and Maumee, Ohio areas house functions that have global or North American regional responsibility for finance and accounting, treasury, risk management, legal, human resources, procurement and supply chain management, communications and information technology.

Item 3. Legal Proceedings

We are a party to various pending judicial and administrative proceedings that arose in the ordinary course of business. After reviewing the currently pending lawsuits and proceedings (including the probable outcomes, reasonably anticipated costs and expenses and our established reserves for uninsured liabilities), we do not believe that any liabilities that may result from these proceedings are reasonably likely to have a material adverse effect on our liquidity, financial condition or results of operations. Legal proceedings are also discussed in Notes 3 and 15 to our consolidated financial statements in Item 8.

PART II

Item 5. Market for Registrant's Common Equity, Related Stockholder Matters and Issuer Purchases of Equity Securities

Market information — Our common stock trades on the New York Stock Exchange (NYSE) under the symbol "DAN." The following table shows the high and low prices of our common stock as reported by the NYSE for each of our fiscal quarters during 2016 and 2015.

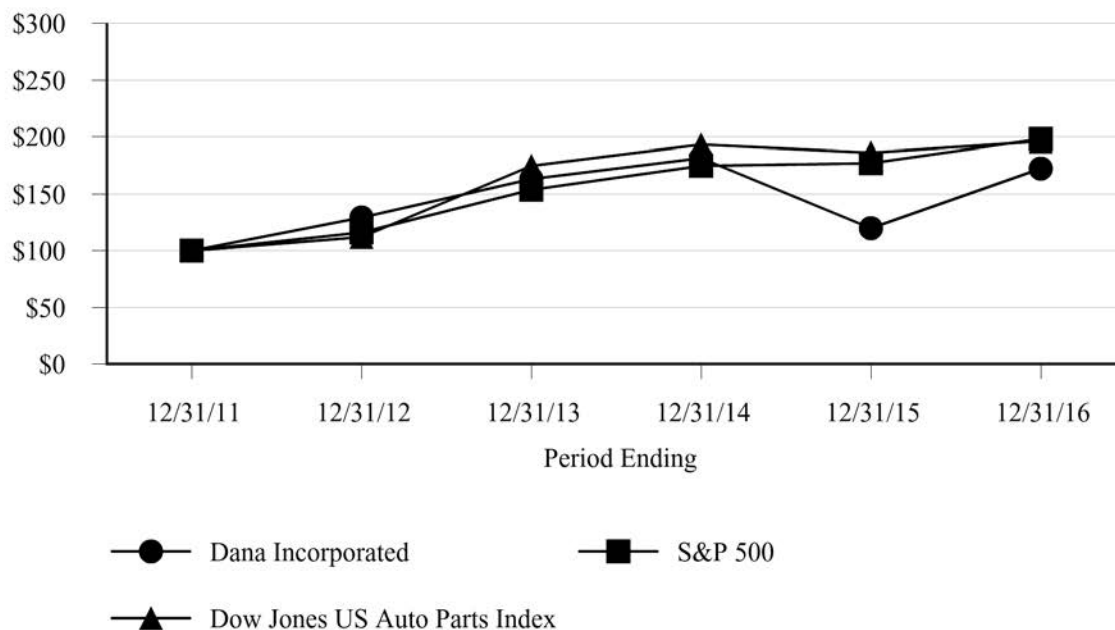
	2016		2015	
	High	Low	High	Low
Fourth quarter	\$ 19.81	\$ 13.93	\$ 18.12	\$ 13.01
Third quarter	15.70	9.80	20.81	15.33
Second quarter	14.55	10.21	22.73	20.35
First quarter	14.32	10.62	23.48	20.04

Holder of common stock — Based on reports by our transfer agent, there were approximately 3,494 registered holders of our common stock on January 31, 2017.

Reference is made to the Equity Compensation Plan Information section of Item 12 for certain information regarding our equity compensation plans.

Stockholder return — The following graph shows the cumulative total shareholder return for our common stock since December 31, 2011. The graph compares our performance to that of the Standard & Poor’s 500 Stock Index (S&P 500) and the Dow Jones US Auto Parts Index. The comparison assumes \$100 was invested at the closing price on December 31, 2011. Each of the returns shown assumes that all dividends paid were reinvested.

Performance chart



Index

	12/31/2011	12/31/2012	12/31/2013	12/31/2014	12/31/2015	12/31/2016
Dana Incorporated	\$ 100.00	\$ 129.28	\$ 162.96	\$ 181.52	\$ 119.84	\$ 172.21
S&P 500	100.00	116.00	153.58	174.60	177.01	198.18
Dow Jones US Auto Parts Index	100.00	111.90	174.63	193.20	186.03	196.10

Dividends — We declared and paid quarterly common stock dividends in 2016 and 2015, raising the dividend from five cents to six cents per share in the second quarter of 2015.

Issuer’s purchases of equity securities — Our Board of Directors approved an expansion of our existing common stock share repurchase program from \$1,400 to \$1,700 on January 11, 2016. The share repurchase program expires on December 31, 2017. We repurchase shares utilizing available excess cash either in the open market or through privately negotiated transactions. The stock repurchases are subject to prevailing market conditions and other considerations. During the second half of 2016, there were no shares of our common stock repurchased under the program. Approximately \$219 remained available under the program for future repurchases as of December 31, 2016.

Annual meeting — We will hold an annual meeting of stockholders on April 27, 2017.

Item 6. Selected Financial Data

	Year Ended December 31,				
	2016	2015	2014	2013	2012
Operating Results					
Net sales	\$ 5,826	\$ 6,060	\$ 6,617	\$ 6,769	\$ 7,224
Income from continuing operations before income taxes	215	292	260	368	364
Income from continuing operations	653	176	343	261	315
Income (loss) from discontinued operations		4	(15)	(1)	—
Net income	653	180	328	260	315
Net income attributable to the parent company	\$ 640	\$ 159	\$ 319	\$ 244	\$ 300
Preferred stock dividend requirements	—	—	7	25	31
Preferred stock redemption premium	—	—	—	232	—
Net income (loss) available to common stockholders	<u>\$ 640</u>	<u>\$ 159</u>	<u>\$ 312</u>	<u>\$ (13)</u>	<u>\$ 269</u>
Net income (loss) per share available to common stockholders					
Basic					
Income (loss) from continuing operations	\$ 4.38	\$ 0.98	\$ 2.07	\$ (0.08)	\$ 1.82
Income (loss) from discontinued operations	—	0.02	(0.10)	(0.01)	—
Net income (loss)	4.38	1.00	1.97	(0.09)	1.82
Diluted					
Income (loss) from continuing operations	\$ 4.36	\$ 0.97	\$ 1.93	\$ (0.08)	\$ 1.40
Income (loss) from discontinued operations	—	0.02	(0.09)	(0.01)	—
Net income (loss)	4.36	0.99	1.84	(0.09)	1.40
Depreciation and amortization of intangibles	\$ 182	\$ 174	\$ 213	\$ 262	\$ 277
Net cash provided by operating activities	384	406	510	577	339
Purchases of property, plant and equipment	322	260	234	209	164
Financial Position					
Cash and cash equivalents and marketable securities	\$ 737	\$ 953	\$ 1,290	\$ 1,366	\$ 1,119
Total assets	4,860	4,301	4,893	5,068	5,097
Long-term debt, less debt issuance costs	1,595	1,553	1,588	1,541	790
Total debt	1,664	1,575	1,653	1,598	891
Preferred stock	—	—	—	372	753
Common stock and additional paid-in capital	2,329	2,313	2,642	2,842	2,670
Treasury stock	(83)	(1)	(33)	(366)	(25)
Total parent company stockholders' equity	1,157	728	1,080	1,309	1,836
Book value per share	\$ 7.92	\$ 4.58	\$ 6.83	\$ 8.94	\$ 12.41
Common Share Information					
Dividends declared per common share	\$ 0.24	\$ 0.23	\$ 0.20	\$ 0.20	\$ 0.20
Weighted-average common shares outstanding					
Basic	146.0	159.0	158.0	146.4	148.0
Diluted	146.8	160.0	173.5	146.4	214.7
Market prices					
High	\$ 19.81	\$ 23.48	\$ 24.82	\$ 23.46	\$ 16.76
Low	9.80	13.01	16.81	15.17	11.13

Note: Total assets for 2015, 2014, 2013 and 2012 have been recast to reflect the adoption of the accounting standard requiring all deferred income tax liabilities and assets to be classified as noncurrent on the balance sheet rather than separated into current and noncurrent amounts. The recasting of total assets resulted in reductions of \$25, \$12, \$35 and \$34 for 2015, 2014, 2013 and 2012. See Note 1 to our consolidated financial statements in Item 8 for additional information.

Item 7. Management's Discussion and Analysis of Financial Condition and Results of Operations (Dollars in millions)

Management's discussion and analysis of financial condition and results of operations should be read in conjunction with the financial statements and accompanying notes in Item 8.

Management Overview

We are a global provider of high technology driveline, sealing and thermal-management products for virtually every major vehicle manufacturer in the on-highway and off-highway markets. Our driveline products – axles, driveshafts and transmissions – are delivered through our Light Vehicle Driveline Technologies (Light Vehicle), Commercial Vehicle Driveline Technologies (Commercial Vehicle) and Off-Highway Driveline Technologies (Off-Highway) operating segments. Our fourth global operating segment – Power Technologies – is the center of excellence for the sealing and thermal technologies that span all customers in our on-highway and off-highway markets. We have a diverse customer base and geographic footprint which minimizes our exposure to individual market and segment declines. In 2016, 54% of our sales came from North American operations and 46% from operations throughout the rest of the world. Our sales by operating segment were Light Vehicle – 45%, Commercial Vehicle – 21%, Off-Highway – 16% and Power Technologies – 18%.

Operational and Strategic Initiatives

In 2016 we outlined our current enterprise strategy which leverages our strong technology foundation and our commitment to continuous improvement. Our strategy places increased focus leveraging resources across the organization, satisfying customer requirements, expanding products and markets and accelerating commercialization of new technology.

Central to our strategy is *leveraging our core operations* by sharing our capabilities, technology, assets and people across the enterprise, leading to improved execution and increased customer satisfaction. Although we have taken significant strides to improve our profitability and margins, particularly through streamlining and rationalizing our manufacturing activities, we believe additional opportunities remain to further improve our cost performance. Leveraging investments across multiple end markets and making disciplined, value enhancing acquisitions, will allow us to bring product to market faster, grow our top-line sales and enhance financial returns.

Strengthening customer centricity and *expanding global markets* are key elements of our strategy that focus on market penetration. Foundational to growing the business is directing the entire organization to putting the customer at the center of our value system and shifting from transactional to relationship-based interactions. These relationships are built on a foundation of providing unparalleled technology with exceptional quality, delivery and value. With even stronger relationships we will be better positioned to support our customers' most important global and flagship programs and capitalize on future growth opportunities.

We continue to enhance and expand our global footprint, optimizing it to capture growth across all of our end markets. Specifically, our manufacturing and technology center footprint positions us to support customers globally – an important factor as many of our customers are increasingly focused on common solutions for global platforms. While growth opportunities are present in each region of the world, we have a primary focus on building our presence and local capability in the Asia Pacific region. Over the last few years, we have opened two new engineering facilities in the region and recently new gear manufacturing facilities were established in India and Thailand.

In addition to Asia, we see further growth opportunity in Eastern Europe where we recently announced plans to establish a new gear manufacturing facility in Hungary. This will be our third facility in the country and will give us the capability to cost effectively manufacture gears, one of our core technologies, and efficiently service our customers within the region.

The final two elements of our enterprise strategy, *commercializing new technology* and *accelerating hybridization and electrification*, focus on opportunities for product expansion. Bringing new innovations to market as industry leading products will drive growth as our new products and technology provide our customers with cutting edge solutions, address end user needs and capitalize on key market trends. An example is our industry leading electronically disconnecting all-wheel drive technology, which we believe is the most fuel efficient rapidly disconnecting system in the market, was recently selected by a major global customer for a significant new global vehicle platform – opening up new commercial channels for us in the passenger car, crossover and sport utility vehicle markets.

Initiatives to capitalize on evolving hybridization and electrification vehicle trends are a core ingredient of the current strategy. In addition to our current technologies in battery cooling and fuel cells, this element of the strategy is leveraging our electronics controls expertise across all our business units and applications such as advanced vehicle hybridization and

electrification initiatives. We are working with customers to develop new solutions for those markets where electrification will be adopted first such as hybrids, buses and urban delivery vehicles. These new solutions, which include advanced electric propulsion systems with fully integrated motors and controls, are included in our recently launched Spicer Electrified portfolio of products.

The development and implementation of this enterprise strategy is positioning Dana to grow profitably over the next few years due to increased customer focus as we leverage our core capabilities, expand into new markets, develop and commercialize new technologies including for hybrid and electric vehicles.

Shareholder returns and capital structure actions — When evaluating capital structure initiatives, we balance our growth opportunities and shareholder value initiatives with maintaining a strong balance sheet and access to capital. Our strong financial position has enabled us to simplify our capital structure while providing returns to our shareholders in the form of cash dividends and reduction in the number of shares outstanding. Over the past four years, we returned \$1,481 of cash to shareholders in connection with redemption of all of our preferred stock and repurchase of common shares. From program inception in 2012 through December 31, 2016, we repurchased approximately 74 million shares, inclusive of the common share equivalent reduction resulting from redemption of preferred shares. Remaining share repurchase authorization under the program approved by our Board of Directors is \$219. We declared and paid quarterly common stock dividends over the past four years, raising the dividend from five cents to six cents per share in the second quarter of 2015.

We have taken advantage of the lower interest rate environment to refinance our senior notes at lower rates while extending the maturities. In December 2014 and the first quarter of 2015, we completed the redemption of notes maturing in 2019, replacing them with notes maturing in 2024. During the second quarter of 2016, we redeemed notes maturing in 2021, replacing them with notes maturing in 2026.

Aftermarket opportunities — We have a global group dedicated to identifying and developing aftermarket growth opportunities that leverage the capabilities within our existing businesses – targeting increased future aftermarket sales. In January 2016, we completed the acquisition of Magnum® Gaskets' (Magnum) aftermarket distribution business which includes the Magnum brand, product portfolio, existing customer contracts and distribution rights. The Magnum brand is the third largest aftermarket sealing brand in the U.S. and Canada, providing us with access to new customers for sealing products and an additional aftermarket channel for other products.

Selective acquisitions — Our acquisition focus is principally directed at “bolt-on” or adjacent acquisition opportunities that have a strategic fit with our existing core businesses, particularly opportunities that support our enterprise strategy and enhance the value proposition of our product offerings. Any potential acquisition will be evaluated in the same manner we currently consider customer program opportunities and other uses of capital – with a disciplined financial approach designed to ensure profitable growth and increased shareholder value.

Acquisitions

SIFCO — On December 23, 2016, we acquired strategic assets of the commercial vehicle steer axle systems and related forged components businesses of SIFCO. The acquisition enables us to enhance our vertically integrated supply chain, which will further improve our cost structure and customer satisfaction by leveraging SIFCO's extensive experience and knowledge of sophisticated forged components. In addition to strengthening our position as a central source for products that use forged and machined parts throughout the region, this acquisition enables us to better accommodate the local content requirements of our customers, which reduces their import and other region-specific costs.

In 2011, we began purchasing parts from SIFCO under an exclusive supply agreement. In April 2014, SIFCO began operating with judicial oversight under reorganization proceedings in Brazil. We continued purchasing parts from SIFCO under an interim agreement while also pursuing the purchase of certain assets through the judicial reorganization proceedings. In connection with the December 2016 acquisition, we acquired the assets supporting the business previously conducted under the exclusive supply agreement along with certain additional related business. As part of the acquisition, we added two manufacturing facilities and approximately 1,400 employees. The strategic assets were acquired by Dana free and clear of any liens, claims or encumbrances, and without assumption of any legacy liabilities of SIFCO. We had sales of \$86 in 2016 resulting from business conducted under the previous supply agreement with SIFCO. With the acquisition completed in December 2016, we obtained additional business relationships that are expected to generate incremental sales of approximately \$50 at current production levels.

The purchase price was \$69, with the payment of \$9 of the purchase price deferred until December 2017 pending any claims under indemnification provisions of the purchase agreement. The purchase price is subject to customary post-closing

adjustments for final determination of working capital and other items. Reference is made to Note 2 of the consolidated financial statements in Item 8 of Part II for the allocation of purchase consideration to assets acquired and liabilities assumed. The results of operations of the SIFCO related business are reported within our Commercial Vehicle operating segment.

Magnum — On January 29, 2016, we acquired the aftermarket distribution business of Magnum, a U.S.-based supplier of gaskets and sealing products for automotive and commercial vehicle applications, for a purchase price of \$18 at closing and additional cash payments of up to \$2 contingent upon the achievement of certain sales metrics over a future two-year period. As of the closing date of the acquisition, the contingent consideration was assigned a fair value of approximately \$1. Assets acquired included trademarks and trade names, customer relationships and goodwill. The results of operations of Magnum are reported within our Power Technologies operating segment.

Brevini — On February 1, 2017, we acquired 80% ownership interests in Brevini Fluid Power S.p.A. (BFP) and Brevini Power Transmission S.p.A. (BPT) from Brevini Group S.p.A. (Brevini). The acquisition expands our Off-Highway operating segment product portfolio to include technologies for tracked vehicles, doubling our addressable market for off-highway driveline systems and establishing Dana as the only off-highway solutions provider that can manage the power to both move the equipment and perform its critical work functions. This acquisition also brings a platform of technologies that can be leveraged in our light and commercial vehicle end markets, helping to accelerate our hybridization and electrification initiatives. The acquisition is expected to add approximately \$350 of sales and \$35 of adjusted EBITDA in 2017.

We paid €167 at closing, using cash on hand, and intend to refinance debt assumed in the transaction during the first quarter of 2017. The purchase price is subject to adjustment upon determination of the net indebtedness and net working capital levels of BFP and BPT as of the closing date. The terms of the agreement provide Dana the right to call Brevini's noncontrolling interests in BFP and BPT, and Brevini the right to put its noncontrolling interests in BFP and BPT to Dana, assuming Dana does not exercise its call rights, at dates and prices defined in the agreement.

Divestitures

Nippon Reinz — On November 30, 2016, we sold our 53.7% interest in Nippon Reinz Co. Ltd. (Nippon Reinz) to Nichias Corporation. Dana received net cash proceeds of \$5 and recognized a pre-tax loss of \$3 on the divestiture of Nippon Reinz, inclusive of the derecognition of the related noncontrolling interest. Nippon Reinz had sales of \$42 in 2016 through the transaction date.

Dana Companies — On December 30, 2016, we completed the divestiture of Dana Companies, LLC (DCLLC), a consolidated wholly-owned limited liability company that was established as part of our reorganization in 2008 to hold and manage personal injury asbestos claims retained by the reorganized Dana Corporation, which was merged into DCLLC. The assets of DCLLC at time of sale included cash and marketable securities along with the rights to insurance coverage in place to satisfy a significant portion of its liabilities. We received net cash proceeds of \$29 at closing on December 30, 2016, with \$3 retained by the purchaser subject to the satisfaction of certain future conditions that we expect will be achieved in 2017. We recognized a pre-tax loss of \$77 in 2016 upon completion of the transaction. In the event the conditions associated with the retained purchase price of \$3 are satisfied in the future, income of \$3 will be recognized at such time. Following completion of the sale, Dana has no obligation with respect to current or future asbestos claims. The sale of this business also enhanced our available liquidity since the net proceeds from the sale are available for use in our core businesses.

Disposal of operations in Venezuela — The operating, political and economic environment in Venezuela in recent years was very challenging. Foreign exchange controls restricted our ability to import required parts and material and satisfy the related U.S. dollar obligations. Production activities were curtailed for most of 2014 as our major original equipment customers suspended production, with a limited amount of activity coming back on line later in the year. Our sales in Venezuela during 2014 approximated \$110 as compared to \$170 in 2013. Results of operations were adversely impacted by the reduced production levels making break-even operating performance a significant challenge. Further, devaluations of the bolivar along with other foreign exchange developments provided added volatility to results of operations and increased uncertainty around future performance.

In December 2014, we entered into an agreement to divest our operations in Venezuela (the disposal group) to an unaffiliated company for no consideration. We completed the divestiture in January 2015. In connection with the divestiture, we entered into a supply and technology agreement whereby Dana will supply product and technology to the operations at competitive market prices. Dana has no obligations to otherwise provide support to the operations. The disposal group was classified as held for sale at December 31, 2014, and we recognized a net charge of \$77 – an \$80 loss to adjust the carrying value of the net assets to fair value less cost to sell, with a reduction of \$3 for the noncontrolling interest share of the loss. These assets and liabilities were presented as held for sale on our December 31, 2014 balance sheet. Upon completion of the

divestiture of the disposal group in January 2015, we recognized a gain of \$5 on the derecognition of the noncontrolling interest in a former Venezuelan subsidiary in Other income, net. We also credited other comprehensive loss attributable to the parent for \$10 and other comprehensive loss attributable to noncontrolling interests for \$1 to eliminate the unrecognized pension expense recorded in accumulated other comprehensive loss. See Note 3 to our consolidated financial statements in Item 8 for additional information. With the completion of the sale in January 2015, Dana has no remaining investment in Venezuela.

Structural Products Business — In 2010, we completed the sale of substantially all of the assets of our Structural Products business to Metalsa S.A. de C.V. (Metalsa) and reached a final agreement with the buyer on disputed issues in May 2014. Prior to the third quarter of 2012, Structural Products was reported as an operating segment of continuing operations. With the cessation of the retained operations in the third quarter of 2012, we began reporting the activities relating to the Structural Products business as discontinued operations. Legal and other costs incurred in 2014 to settle a customer complaint and the remaining disputes with Metalsa and insurance recoveries in 2015 related to previously outstanding claims have extended the reporting of discontinued operations.

Segments

We manage our operations globally through four operating segments. Our Light Vehicle and Power Technologies segments primarily support light vehicle original equipment manufacturers (OEMs) with products for light trucks, SUVs, CUVs, vans and passenger cars. The Commercial Vehicle segment supports the OEMs of on-highway commercial vehicles (primarily trucks and buses), while our Off-Highway segment supports OEMs of off-highway vehicles (primarily wheeled vehicles used in construction, mining and agricultural applications).

Trends in Our Markets

Global Vehicle Production

(Units in thousands)	Dana 2017 Outlook	Actual		
		2016	2015	2014
North America				
Light Truck (Full Frame)	4,200 to 4,300	4,438	4,136	3,834
Light Vehicle Engines	15,800 to 16,200	16,065	15,474	15,119
Medium Truck (Classes 5-7)	235 to 250	235	237	226
Heavy Truck (Class 8)	190 to 210	227	323	297
Agricultural Equipment	50 to 60	53	58	64
Construction/Mining Equipment	150 to 160	150	158	158
Europe (including Eastern Europe)				
Light Truck	9,300 to 9,500	9,279	8,546	7,790
Light Vehicle Engines	23,800 to 24,300	23,224	22,570	21,510
Medium/Heavy Truck	440 to 470	471	434	397
Agricultural Equipment	190 to 210	193	202	220
Construction/Mining Equipment	290 to 310	290	299	301
South America				
Light Truck	1,000 to 1,050	1,010	940	1,146
Light Vehicle Engines	2,000 to 2,100	2,091	2,439	3,176
Medium/Heavy Truck	75 to 85	70	88	167
Agricultural Equipment	25 to 35	29	32	43
Construction/Mining Equipment	10 to 15	10	13	17
Asia-Pacific				
Light Truck	26,500 to 27,500	27,179	24,160	22,337
Light Vehicle Engines	50,000 to 51,500	50,075	47,209	46,497
Medium/Heavy Truck	1,450 to 1,550	1,620	1,383	1,573
Agricultural Equipment	680 to 720	648	676	710
Construction/Mining Equipment	380 to 410	396	405	509

North America

Light vehicle markets — Improving economic conditions during the past few years have contributed to increased light vehicle sales and production levels in North America. Release of built-up demand to replace older vehicles, greater availability of credit, stronger consumer confidence and other factors have combined to stimulate new vehicle sales. Light vehicle sales in 2016 increased about 1% from 2015, with sales that year being up 6% from 2014. Many of our programs are focused in the full frame light truck segment. Helped by comparatively lower fuel prices, sales in this segment were especially strong, being up about 6% in 2016 and 9% in 2015. Production levels were reflective of the stronger light vehicle sales. Production of approximately 17.8 million light vehicles in 2016 was 2% higher than in 2015, following an increase in production that year of about 3% from 2014. Light vehicle engine production was similarly higher, up 4% in 2016 and 2% in 2015. In the key full frame light truck segment, production levels increased about 7% in 2016 compared with an increase of 8% in 2015. Days' supply of total light vehicles in the U.S. at the end of December 2016 was around 62 days, up slightly from 61 days at December 2015 and 2014. In the full frame light truck segment, inventory levels have been relatively stable – 65 days at the end of December 2016, compared with 62 days at the end of 2015 and 63 days at the end of 2014.

Looking ahead to 2017, we expect steady employment levels, stable fuel prices and favorably trending consumer confidence will provide a generally solid economic climate in North America. However, with the strength in this market the past couple years, we believe slightly lower production levels are likely. Our full year 2017 outlook for light vehicle engine production is 15.8 to 16.2 million units, a decrease of 2% to an increase of 1% compared with 2016. In the full frame light truck segment where the past two years have been especially strong, our 2017 production outlook is 4.2 to 4.3 million units, a decrease of 3 to 5% from 2016.

Medium/heavy vehicle markets — Similar to the light vehicle market, the commercial vehicle segment benefited from an improving North America economy in recent years. After increasing 12% in 2014, Medium duty Classes 5-7 truck production the past three years has been relatively stable, between 226,000 and 237,000 units. In the Class 8 segment, production levels increased 21% in 2014 and another 9% in 2015 to reach 323,000 units. High levels of production in 2014 and the first half of 2015 led to more trucks than required for freight demand. As such, order levels and production began declining in the second half of 2015 and continued into 2016, resulting in Class 8 production of around 227,000 units, a decline of about 30% from 2015.

With new government leadership in the U.S. in 2017, there is considerable uncertainty around the potential impact of policy changes on the economy. Although modest economic growth is forecast in 2017, more Class 8 trucks are expected to be in service than are needed to satisfy freight demand levels. Accordingly, we expect weaker Class 8 production of around 200,000 units in 2017, a reduction of about 12% from 2016. In the medium duty segment, we expect 2017 production to be in the range of 235,000 to 250,000 units, comparable to up about 6% from 2016.

Markets Outside of North America

Light vehicle markets — Signs of an improved overall European economy have been evident, albeit mixed at times, during the past few years. Reflective of a modestly improved economy, light vehicle production levels have increased with light vehicle engine production being up about 3% in 2016 after increasing 5% in 2015 and light truck production being higher by 9 to 10% in each of the past two years. The United Kingdom's decision in 2016 to withdraw from the European Union along with political developments in other European countries has cast an element of uncertainty around continued economic improvement in the region. At present, we expect overall stable to improving economic conditions across the entire region in 2017, with production levels up more modestly in the range of 2% to 5% for light vehicle engines and flat to up 2% for light trucks. The economic climate in most South America markets the past couple years has been weak, volatile and challenging. Light truck production declined 12% in 2014 and was down another 18% in 2015. Light vehicle engine production was similarly down 16% in 2014 and another 23% in 2015. Overall weakness persisted through 2016, with light vehicle engine production down another 14%, but with light truck production showing some improvement in the region with an increase of 7% from 2015. We believe that the region's economic weakness has largely plateaued, and that we'll begin to see some improving market conditions in 2017. Our full year 2017 outlook for South America light vehicle markets has light truck production flat to up 4% and light vehicle engine production flat to down 4% compared with 2016. The Asia Pacific markets have been relatively strong the past few years. Light truck production increased 9% in 2014, 8% in 2015 and was up another 12% in 2016, while light vehicle engine production increased 3% in 2014, 2% in 2015 and another 6% in 2016. We expect to see relatively stable to modest growth in the region during 2017. Our full year 2017 outlook for the Asia Pacific light vehicle markets has light truck production down 2% to up 1% and light vehicle engine production flat to up 3% compared with 2016.

Medium/heavy vehicle markets — Some of the same factors referenced above that affected light vehicle markets outside of North America similarly affected the medium/heavy markets, albeit with improvements in the medium/heavy truck market

being a little slower to manifest. Signs of a strengthening European market emerged in 2015 with medium/heavy truck production in 2015 being up about 9% from the preceding year. Production levels in 2016 reflected continued improvement with an increase of about 9% from 2015. Given the higher production levels the past two years and more modest overall economic growth in 2017, we expect Europe medium/heavy truck production this year to be flat to down 7% compared to 2016. A weakening South America economic climate beginning in 2014 led to medium/heavy truck production declining about 23% in 2014, 47% in 2015 and another 20% in 2016. As with the light vehicle markets, we have seen additional weakness in South America in early 2016. As indicated above, we expect to see improving economic conditions in the region as we move through 2017. Our full year 2017 outlook for South America has medium/heavy truck production increasing from about 70,000 units in 2016 to 75,000 to 85,000 units this year. The medium/heavy truck market in Asia Pacific was sluggish the prior two years, being up a modest 3% in 2014 and declining about 12% in 2015 as a slowdown in the China market materialized. A stronger than expected China market and an improving India market contributed to higher medium/heavy truck production in the region of about 17% in 2016. Given a more modest overall economic outlook for the region in 2017 and the strong level of production in 2016, we expect 2017 medium/heavy truck production outlook to be 4% to 10% lower than in 2016.

Off-Highway Markets — Our off-highway business has a large presence outside of North America, with more than 75% of its sales coming from Europe and more than 10% from South America and Asia Pacific combined. We serve several segments of the diverse off-highway market, including construction, agriculture, mining and material handling. Our largest markets are the construction/mining and agricultural equipment segments. After experiencing increased global demand in 2011 and 2012, these markets have been relatively weak over the past four years. Global demand in the agriculture market was down about 11% in 2014, 7% in 2015 and 5% in 2016. The construction/mining segment weakened about 4% in 2014, 11% in 2015 and 3% in 2016. We expect global demand will continue to be relatively weak in 2017, with improving markets to begin in late 2017 and subsequent years. We expect higher global production in the agriculture segment in 2017, driven by stronger demand in the Asia Pacific region. In the construction market, we expect 2017 global production on balance to be relatively comparable to up slightly from 2016.

Foreign Currency and Brexit Effects

Weaker international currencies relative to the U.S. dollar have had a significant impact on our sales and results of operations the past few years. The United Kingdom's decision to exit the European Union ("Brexit") has provided further uncertainty and potential volatility around European currencies, along with uncertain effects of future trade and other cross-border activities of the United Kingdom with the European Union and other countries. With new government leadership in the U.S. assuming control in early 2017, there is added uncertainty around future economic and trade policy and its potential impact on the U.S. dollar relative to other currencies. Approximately 54% of our consolidated sales in 2016 were outside the U.S., with euro zone countries, Mexico, the United Kingdom and Brazil accounting for approximately 40%, 8%, 6% and 6% of our non-U.S. sales. The potential impact of future U.S. economic and trade policy has led to significant weakening of the Mexican peso against the U.S. dollar since the U.S. presidential election in November 2016. Although sales in Argentina and South Africa are each less than 5% of our non-U.S. sales, weaker currencies of those countries significantly impacted this past year's sales. Translation of our international activities at average exchange rates in 2015 as compared to average rates in 2014 reduced sales by \$516, with \$268 attributable to a weaker euro and \$91 to a weaker Brazil real. In 2016, weaker international currencies reduced sales by another \$173. A weaker Argentine peso, British pound, Mexican peso, South African rand and Brazilian real reduced sales by \$70, \$23, \$19, \$18 and \$11. The euro was relatively stable in 2016. Weaker international currencies are expected to be a headwind to sales again in 2017. Based on our current sales outlook, we expect the translation effect of weaker currencies will reduce 2017 sales by approximately \$150, with the impact of an expected weaker euro comprising about \$70 of the headwind. Our 2017 outlook is based on an assumed euro/U.S. dollar rate of 1.05, a U.S. dollar/Brazil real rate of 3.80, a British pound/U.S. dollar rate of 1.30 and a U.S. dollar/Mexican peso rate of 21.0. At sales levels in our current outlook for 2017, a 5% movement on the euro would impact our annual sales by approximately \$65. A 5% change on the Brazil real, British pound or Mexican peso rates would impact our annual sales in each of those countries by approximately \$10.

Brazil Market

The Brazil market is an important market for our Commercial Vehicle segment, representing about 12% of this segment's 2016 sales. Our medium/heavy truck sales in Brazil account for approximately 75% of our total sales in the country. Reduced market demand resulting from the weak economic environment in Brazil in 2015 led to production levels in the light vehicle and medium/heavy duty vehicle markets that were lower by about 22% and 44% from 2014. Continued weakness in 2016 resulted in further reductions in medium/heavy truck production of about 20% and a light vehicle production decline of around 10%. As a consequence, sales by our operations in Brazil for 2016 approximated \$200, down from about \$500 in 2014. In response to the challenging economic conditions in this country, we implemented restructuring and other cost reduction actions the past two years and continue to trim costs to the extent practicable. The economic environment led to one of our major

suppliers operating with judicial oversight after entering reorganization proceedings in Brazil in 2014. We continued to work with this supplier to enable us to satisfy our customer requirements while also pursuing the option of purchasing certain assets from this supplier through the judicial reorganization proceedings. As discussed in Note 2 to our consolidated financial statements in Item 8, we completed a transaction in December 2016 that provided us with the underlying assets and personnel supporting our pre-existing business with this supplier along with some incremental business. Looking ahead to 2017, we expect to begin seeing improving market conditions in Brazil, leading to stronger vehicle production levels. With the above-mentioned acquisition, we have enhanced our competitive position in the market and should benefit significantly in future years as the Brazilian markets rebound.

Commodity Costs

The cost of our products may be significantly impacted by changes in raw material commodity prices, the most important to us being those of various grades of steel, aluminum, copper and brass. The effects of changes in commodity prices are reflected directly in our purchases of commodities and indirectly through our purchases of products such as castings, forgings, bearings and component parts that include commodities. Most of our major customer agreements provide for the sharing of significant commodity price changes with those customers. Where such formal agreements are not present, we have historically been successful implementing price adjustments that largely compensate for the inflationary impact of material costs. Material cost changes will customarily have some impact on our financial results as customer pricing adjustments typically lag commodity price changes.

Higher commodity prices, driven in part by inflationary costs in Argentina, increased our costs by approximately \$8 in 2016, while in 2015 lower commodity prices decreased costs by \$10. In 2014, higher commodity prices increased cost by \$35. Material recovery and other pricing actions increased sales by \$10 in 2016, \$1 in 2015 and \$65 in 2014.

Sales, Earnings and Cash Flow Outlook

	2017 Outlook	2016	2015	2014
Sales	\$6,200 - \$6,400	\$ 5,826	\$ 6,060	\$ 6,617
Adjusted EBITDA	\$695 - \$725	\$ 660	\$ 652	\$ 746
Net cash provided by operating activities	\$410 - \$450	\$ 384	\$ 406	\$ 510
Purchases of property, plant and equipment	\$350 - \$370	\$ 322	\$ 260	\$ 234
Free Cash Flow	\$50 - \$90	\$ 62	\$ 146	\$ 276

Adjusted EBITDA and Free Cash Flow are non-GAAP financial measures. See the Non-GAAP Financial Measures discussion below for definitions of our non-GAAP financial measures and reconciliations to the most directly comparable U.S. generally accepted accounting principles (GAAP) measures. We have not provided a reconciliation of our adjusted EBITDA outlook to the most comparable GAAP measure of net income. Providing net income guidance is potentially misleading and not practical given the difficulty of projecting event driven transactional and other non-core operating items that are included in net income, including restructuring actions, asset impairments and income tax valuation adjustments. The accompanying reconciliations of these non-GAAP measures with the most comparable GAAP measures for the historical periods presented are indicative of the reconciliations that will be prepared upon completion of the periods covered by the non-GAAP guidance.

During the past three years, weaker international currencies relative to the U.S. dollar were the most significant factor reducing our sales. The sales reduction attributable to currency over the three-year period approximated \$900. We divested our Venezuela operation in January 2015, which further reduced consolidated sales by approximately \$100. Adjusted for currency and divestiture effects, sales in the three preceding years increased slightly. We experienced uneven end user markets, with some being relatively strong and others somewhat weak, and the conditions across the regions of the world differing quite dramatically. New business with customers has largely offset the lower sales attributable to overall weaker end user demand. With the closing of the Brevini transaction on February 1, 2017 we expect full year 2017 sales to be \$6,200 to \$6,400. The Brevini acquisition is expected to add approximately \$400 to 2017 sales. Our net new business backlog will increase sales by about \$175, with overall stronger market demand also expected to contribute to higher sales. Partially offsetting these increases are currency headwinds from further weakening of international currencies against the U.S. dollar that are expected to reduce 2017 sales by \$150 to \$200.

Over the past three years, adjusted EBITDA margin as a percent of sales has remained relatively constant at around 11% despite certain markets being weak and volatile. Where practicable, we have aligned our cost with weaker demand levels in

certain markets. We continue to focus on margin improvement through right sizing and rationalizing our manufacturing operations, implementing other cost reduction initiatives and ensuring that customer programs are competitively priced. Further margin improvement beyond 2017 is anticipated as we expect to see increased end user demand in certain markets, along with continued benefit from additional new business and cost reduction actions.

We have generated positive free cash flow the past three years while increasing capital spending to support organic business growth through launching new business with customers. Free cash flow in 2014 benefited from the receipt of \$40 of interest from the sale of an in-kind note receivable. Lower pension contributions, restructuring payments and cash taxes also benefited free cash flow in 2014, while increased new program launches resulted in higher capital spending. The lower free cash flow in 2015 was primarily due to lower earnings and increased capital spend to support new program launches, with lower cash taxes and restructuring payments providing a partial offset. Reduced free cash flow in 2016 is primarily attributable to our continued success in being awarded significant new customer programs. Although many of the recent program wins are not scheduled to begin production until 2018, these programs required capital investment beginning in 2016. As such, cash used for capital investment in 2016 was \$62 higher than in 2015. An elevated level of capital investment will continue into 2017, with capital spending expected to approximate \$350 to \$370. Our 2017 outlook anticipates that the higher level of earnings will largely offset the increased level of capital spend, resulting in 2017 free cash flow that is relatively comparable to this past year. The higher level of capital spend in recent years associated with increased new program launches is expected to dissipate after 2017.

Among our Operational and Strategic Initiatives are increased focus on and investment in product technology – delivering products and technology that are key to bringing solutions to issues of paramount importance to our customers. Our success on this front is measured, in part, by our sales backlog which is net new business received that will be launching in the future and adding to our base annual sales. This backlog excludes replacement business and represents incremental sales associated with new programs for which we have received formal customer awards. At December 31, 2016, our sales backlog of net new business for the 2017 through 2019 period was \$750. This current backlog is comparable to our three-year sales backlog at the end of 2015, with new business wins that added sales approximating \$150 being offset by reductions to the backlog to reflect the effects of weaker international currencies relative to the U.S. dollar and reduced demand levels now expected during the three-year period.

Consolidated Results of Operations

Summary Consolidated Results of Operations (2016 versus 2015)

	2016		2015		Increase/ (Decrease)
	Dollars	% of Net Sales	Dollars	% of Net Sales	
Net sales	\$ 5,826		\$ 6,060		\$ (234)
Cost of sales	4,982	85.5%	5,211	86.0%	(229)
Gross margin	844	14.5%	849	14.0%	(5)
Selling, general and administrative expenses	406	7.0%	391	6.5%	15
Amortization of intangibles	8		14		(6)
Restructuring charges, net	36		15		21
Loss on sale of subsidiaries	(80)				(80)
Impairment of long-lived assets			(36)		36
Other income, net	18		1		17
Income before interest and income taxes	332		394		(62)
Loss on extinguishment of debt	(17)		(2)		(15)
Interest income	13		13		—
Interest expense	113		113		—
Income from continuing operations before income taxes	215		292		(77)
Income tax expense (benefit)	(424)		82		(506)
Equity in earnings (losses) of affiliates	14		(34)		48
Income from continuing operations	653		176		477
Income from discontinued operations			4		(4)
Net income	653		180		473
Less: Noncontrolling interests net income	13		21		(8)
Net income attributable to the parent company	<u>\$ 640</u>		<u>\$ 159</u>		<u>\$ 481</u>

Sales — The following table shows changes in our sales by geographic region.

	2016	2015	Increase/ (Decrease)	Amount of Change Due To		
				Currency Effects	Acquisitions (Divestitures)	Organic Change
North America	\$ 3,128	\$ 3,210	\$ (82)	\$ (24)	\$ 7	\$ (65)
Europe	1,616	1,723	(107)	(44)		(63)
South America	338	377	(39)	(82)		43
Asia Pacific	744	750	(6)	(23)	(3)	20
Total	<u>\$ 5,826</u>	<u>\$ 6,060</u>	<u>\$ (234)</u>	<u>\$ (173)</u>	<u>\$ 4</u>	<u>\$ (65)</u>

Sales in 2016 were \$234 lower than in 2015. Weaker international currencies decreased sales by \$173. The acquisition of Magnum earlier this year added sales of \$7, with the divestiture of Nippon Reinz at the end of November 2016 reducing sales by \$3. A volume-related organic sales decrease of \$75 resulted primarily from weaker global Off-Highway demand, lower commercial vehicle production in North America and Brazil and lower sales with a major North America commercial vehicle customer, partially offset by stronger overall light vehicle volume levels in North America, Europe and Asia Pacific and contributions from new customer programs. Cost recovery pricing actions increased sales by \$10.

The North America organic sales reduction of 2% was driven principally by a decline in Class 8 production of about 30%, reduced sales levels with a major commercial vehicle customer and weaker Off-Highway demand. These effects were partially offset by growth in full frame light truck production of around 7%, an increase in light vehicle engine build of 4% and higher sales from new customer programs.

Excluding currency effects, principally from a weaker South African rand and British pound, our 2016 sales in Europe were 4% lower than in 2015. Weaker Off-Highway demand was the primary driver of this reduction in sales, with increased light vehicle engine and light truck production providing a partial offset.

South America sales in 2016 were impacted by weaker currencies in Argentina and Brazil. Excluding these effects, sales were up 11% from 2015. The organic sales increase in the region was driven largely by pricing actions, primarily recovery of inflationary cost increases in Argentina and contributions from new customer programs. These increases were partially offset by medium/heavy truck production levels being around 20% lower.

Asia Pacific sales in 2016 were relatively comparable to those in the preceding year. Weaker currencies in Thailand, India and China contributed to the currency-related sales reduction. The 3% organic sales increase resulted primarily from increased production levels in the region along with new customer programs.

Cost of sales and gross margin — Cost of sales declined \$229, or 4%, in 2016 when compared to 2015. Similar to the factors affecting sales, the reduction was primarily due to currency effects and lower overall sales volumes. Cost of sales as a percent of 2016 sales was 50 basis points lower than in the previous year. Underabsorption of costs as a result of lower sales volumes increased cost of sales as a percent of sales. Cost of sales in 2016 was also higher due to increases in engineering and product development costs of \$13 and material commodity prices of \$8 and incremental start-up/launch costs of \$8. More than offsetting the margin impact of these increases were savings from lower material costs of \$67 and avoidance of supplier transition costs in our Commercial Vehicle segment of \$14 in 2015, and a decline in environmental remediation expense of \$6.

Gross margin of \$844 for 2016 decreased \$5 from 2015. Gross margin as a percent of sales was 14.5% in 2016, 50 basis points higher than in 2015. Margin improvement was driven principally by the cost of sales factors referenced above.

Selling, general and administrative expenses (SG&A) — SG&A expenses in 2016 were \$406 (7.0% of sales) as compared to \$391 (6.5% of sales) in 2015. Salary and benefits expenses in 2016 were \$9 higher than in 2015, while selling and other discretionary spending increased \$6, due in part to execution of certain strategic project initiatives.

Amortization of intangibles — The reduction of \$6 in amortization of intangibles was primarily attributable to certain customer related intangibles becoming fully amortized.

Restructuring charges — Restructuring charges of \$36 in 2016 included a fourth-quarter expense of \$10 in conjunction with the SIFCO acquisition to eliminate certain positions in our Brazil Commercial Vehicle business to align with expected market demand. Third-quarter 2016 expense included \$14 for separation costs in connection with headcount reduction actions in our Off-Highway segment that are being implemented as a result of continuing weak demand levels in this business. The remaining \$12 of restructuring expense this year relates to the closure of our Commercial Vehicle manufacturing facility in Glasgow, Kentucky, headcount reduction actions at our corporate facilities in the U.S., other headcount reductions in Brazil and employee separation and exit costs associated with previously announced headcount reduction and facility closure actions. Restructuring charges of \$15 in 2015 were primarily attributable to headcount reductions in our Commercial Vehicle business in Brazil which were significantly impacted by lower demand levels, along with costs associated with previously announced restructuring actions.

Loss on sale of subsidiaries — Reference is made to Note 3 of the consolidated financial statements in Item 8 of Part II for a discussion of the fourth-quarter 2016 divestitures of DCLLC and Nippon Reinz.

Impairment of long-lived assets — Reference is made to Note 3 of the consolidated financial statements in Item 8 of Part II for a discussion of charges recognized in the third quarter of 2015 in connection with an impairment of long-lived assets attributable to an exclusive supply relationship with a South American supplier.

Other income, net — The following table shows the major components of Other income, net.

	2016	2015
Government grants and incentives	\$ 8	\$ 3
Foreign exchange gain (loss)	(3)	(20)
Gain on derecognition of noncontrolling interest		5
Strategic transaction expenses	(13)	(4)
Insurance and other recoveries	10	4
Gain on sale of marketable securities	7	1
Amounts attributable to previously divested/closed operations		1
Other, net	9	11
Other income, net	<u>\$ 18</u>	<u>\$ 1</u>

During 2015, foreign exchange losses were primarily driven by the impact the strengthening U.S. dollar had on our Mexican peso and euro forward contracts. Upon completion of the divestiture of our operations in Venezuela in January 2015, we recognized a \$5 gain on the derecognition of the noncontrolling interest in one of our former Venezuelan subsidiaries. See Note 3 to our consolidated financial statements in Item 8 of Part II for additional information. The increase in strategic transaction expenses in 2016 is primarily attributable to an increased level of inorganic growth opportunities that were being pursued, including the SIFCO acquisition that closed in December 2016 and the Brevini acquisition that closed in February 2017. Additionally, we incurred transactional costs in connection with the divestitures of DCLLC and Nippon Reinz. See Notes 2 and 3 for additional information. During 2016, we received a recovery of \$8 of costs previously incurred on behalf of other participants in a consortium that existed to administer certain legacy personal injury claims. During 2015, we reached a settlement with an insurance carrier for the recovery of previously incurred legal costs.

Loss on extinguishment of debt — During the second quarter of 2016, we redeemed our February 2021 Notes and incurred a redemption premium of \$12. We also restructured our domestic revolving credit facility. In connection with these actions, we wrote off \$5 of previously deferred financing costs. The prior year expense was attributable to the call premium and write-off of previously deferred financing costs associated with the redemption of \$15 of our February 2019 Notes in the first quarter of 2015.

Interest income and interest expense — Interest income was \$13 in both 2016 and 2015. Interest expense was \$113 in both 2016 and 2015. A lower average interest rate on borrowings was offset by higher average debt levels in 2016. As discussed in Note 13 to our consolidated financial statements in Item 8 of Part II, Dana Financing Luxembourg S.à r.l. issued \$375 of its June 2026 Notes on May 27, 2016 and we redeemed \$350 of our February 2021 Notes on June 23, 2016. In conjunction with the issuance of the June 2026 Notes, we entered into two 10-year fixed-to-fixed cross-currency swaps which have the effect of economically converting the June 2026 Notes to euro-denominated debt at a fixed rate of 5.140%. Average effective interest rates, inclusive of amortization of debt issuance costs, approximated 6.5% and 6.6% in 2016 and 2015.

Income tax expense — Income taxes were a benefit of \$424 in 2016, whereas we had a tax expense of \$82 in 2015. In the fourth quarter of 2016, we determined that most of the valuation allowances against U.S. deferred taxes were no longer required. Release of these valuation allowances resulted in a \$501 income tax benefit. Additionally, developments in Brazil led to our determination that an allowance against certain deferred taxes in that country was appropriate, and we recognized tax expense of \$25 to establish this valuation allowance. During 2015, we completed an intercompany transfer of an affiliate's stock and certain operating assets. In connection with this transaction, we released \$66 of valuation allowance on U.S. deferred tax assets and recognized \$23 of tax expense related to the stock sale and \$2 of amortization of a prepaid tax asset created as part of the transaction. Amortization of the prepaid tax asset in 2016 was \$11. In 2015, we also established a valuation allowance of \$15 against the deferred tax assets of a subsidiary in Brazil. See Note 17 to our consolidated financial statements in Item 8 of Part II for further disclosures around these valuation allowance adjustments.

The effective income tax rates vary from the U.S. federal statutory rate of 35% primarily due to valuation allowances in several countries, nondeductible expenses, different statutory rates outside the U.S. and withholding taxes. Contributing to the lower effective rate in 2016 were benefits of \$58 for a reduction of accrued taxes on earnings of foreign operations resulting from legal entity restructuring and a revised determination as to permanent reinvestment. Partially offsetting this benefit was tax expense of \$17 on dividends and other income attributable to foreign operations, and \$30 of expense recognized to establish provisions associated with uncertain tax positions. Excluding the effects of the items described above, the effective tax rate was 24% in 2016 and 37% in 2015. In 2016, jurisdictions with effective tax rates less than the U.S. tax rate of 35% decreased the overall effective rate. In 2015, jurisdictions with valuation allowances had lower pre-tax income, which increased the effective rate.

In the U.S. and certain other countries, where our history of operating losses did not allow us to satisfy the “more likely than not” criterion for recognition of deferred tax assets, we have generally recognized no income tax on the pre-tax income or losses in these jurisdictions as valuation allowance adjustments offset the associated tax effects. With the release of valuation allowances on our U.S. deferred tax assets in 2016, the future impact of valuation allowance adjustments will be less significant, resulting in tax expense that will be more reflective of a customary global effective tax rate.

Equity in earnings of affiliates — Net earnings from equity investments was \$14 in 2016 and a net loss of \$34 in 2015. Equity in earnings from Bendix Spicer Foundation Brake, LLC (BSFB) were \$7 in 2016 and \$11 in 2015. Our share of Dongfeng Dana Axle Co., Ltd. (DDAC) operating results were \$7 in 2016 and a loss of \$7 in 2015. During the fourth quarter of 2015, we determined that we had an other-than-temporary decrease in the carrying value of our DDAC investment and recorded a \$39 impairment charge. See Note 20 to our consolidated financial statements in Item 8.

Noncontrolling interests net income — As more fully discussed in Note 1 to our consolidated financial statements in Item 8 of Part II, the first quarter of 2015 included \$9 for correction of previously reported noncontrolling interests net income.

Segment Results of Operations (2016 versus 2015)

Light Vehicle

	Sales	Segment EBITDA	Segment EBITDA Margin
2015	\$ 2,482	\$ 262	10.6%
Volume and mix	235	37	
Performance	31	(4)	
Currency effects	(141)	(16)	
2016	<u>\$ 2,607</u>	<u>\$ 279</u>	10.7%

Light Vehicle sales in 2016 were reduced by currency translation effects, primarily as a result of a weaker Mexico peso, Argentina peso, Thailand baht, South Africa rand and British pound sterling. Sales, exclusive of currency effects, were 11% higher than in 2015. The volume-related increases were driven primarily by stronger production levels. North America full frame light truck production in 2016 was up 7%, while light truck production in Europe and Asia Pacific was stronger by 9% and 12% compared to 2015. Sales in this segment also benefited from new customer programs, including \$45 relating to a program previously supported by our Commercial Vehicle segment that moved to Light Vehicle in 2016 when the axle used to support the program was replaced with an axle produced by the Light Vehicle segment. Cost recovery actions, including inflationary cost recovery in Argentina, were the primary drivers of the sales increase categorized as performance.

Light Vehicle segment EBITDA of \$279 in 2016 was \$17 higher than in the same period of 2015. Higher sales volumes from overall stronger production levels and new business provided a benefit of \$37, while weaker international currencies reduced segment EBITDA by \$16. The year-over-year performance-related earnings reduction was driven partly by an increase in material commodity costs of \$16, higher warranty costs of \$7, start-up and launch-related costs of \$10, an increase in engineering and product development expense, net of customer recoveries, of \$9 and inflationary and other cost increases of \$17. Partially offsetting these factors which reduced segment EBITDA were cost recovery pricing actions of \$31 and savings from material cost initiatives of \$24.

Commercial Vehicle

	Sales	Segment EBITDA	Segment EBITDA Margin
2015	\$ 1,533	\$ 100	6.5%
Volume and mix	(265)	(52)	
Performance	3	52	
Currency effects	(17)	(4)	
2016	<u>\$ 1,254</u>	<u>\$ 96</u>	7.7%

Currency effects which reduced sales in 2016 were primarily due to a year-over-year weaker Brazil real and Mexico peso. After adjusting for the effects of currency, 2016 sales in our Commercial Vehicle segment decreased 17% compared to 2015. The volume-related reduction was primarily attributable to lower sales in North America where Class 8 production was down about 30%, a program having sales of \$45 was transferred to the Light Vehicle segment who began supplying the axle for the program, and our share of sales with a major customer declined. Weaker end market demand in Brazil also contributed to lower sales volumes, with 2016 medium/heavy truck production being down about 20%.

Commercial Vehicle segment EBITDA of \$96 was \$4 lower than in 2015. Lower sales volumes reduced 2016 segment EBITDA by \$52. Largely offsetting the effects of lower volume was improved year-over-year performance-related segment EBITDA of \$52, resulting from material cost savings of \$15, avoidance of supplier transition costs of \$14 incurred in 2015, a decline in warranty expense of \$8, pricing actions of \$3 and other net cost reductions of \$12.

Off-Highway

	Sales	Segment EBITDA	Segment EBITDA Margin
2015	\$ 1,040	\$ 147	14.1%
Volume and mix	(110)	(31)	
Performance	(11)	11	
Currency effects	(10)	2	
2016	<u>\$ 909</u>	<u>\$ 129</u>	14.2%

Currency-adjusted 2016 sales were down 12% compared to 2015, primarily from lower global end-market demand.

Off-Highway segment EBITDA of \$129 in 2016 was down \$18 from 2015. The impact of lower sales volumes on segment EBITDA was partially offset by performance-related earnings improvement, principally from year-over-year material cost savings of \$17 and other net cost reductions of \$5 which were partially offset by pricing actions of \$11.

Power Technologies

	Sales	Segment EBITDA	Segment EBITDA Margin
2015	\$ 1,005	\$ 149	14.8%
Volume and mix	69	17	
Performance	(13)	(6)	
Currency effects	(5)	(2)	
2016	<u>\$ 1,056</u>	<u>\$ 158</u>	15.0%

Power Technologies primarily serves the light vehicle market but also sells product to the medium/heavy truck and off-highway markets. Net of currency effects, sales in 2016 increased about 5% due to stronger market demand. Light vehicle engine build in North America and Europe was up about 4% and 3% compared to 2015. Pricing actions during 2016 reduced year-over-year sales by \$13.

Segment EBITDA of \$158 in 2016 was \$9 higher than in 2015, driven primarily by higher sales volumes. Although performance-related segment EBITDA in 2016 benefited by \$17 from lower material commodity costs and other material cost savings, those benefits were more than offset by \$13 of pricing actions, higher engineering and development expense of \$4 and other net cost increases of \$6.

Summary Consolidated Results of Operations (2015 versus 2014)

	2015		2014		Increase/ (Decrease)
	Dollars	% of Net Sales	Dollars	% of Net Sales	
Net sales	\$ 6,060		\$ 6,617		\$ (557)
Cost of sales	5,211	86.0%	5,672	85.7%	(461)
Gross margin	849	14.0%	945	14.3%	(96)
Selling, general and administrative expenses	391	6.5%	411	6.2%	(20)
Amortization of intangibles	14		42		(28)
Restructuring charges, net	15		21		(6)
Impairment of long-lived assets	(36)				(36)
Loss on disposal group held for sale			(80)		80
Pension settlement charges			(42)		42
Other income, net	1		33		(32)
Income before interest and income taxes	394		382		12
Loss on extinguishment of debt	(2)		(19)		17
Interest income	13		15		(2)
Interest expense	113		118		(5)
Income from continuing operations before income taxes	292		260		32
Income tax expense (benefit)	82		(70)		152
Equity in earnings (losses) of affiliates	(34)		13		(47)
Income from continuing operations	176		343		(167)
Income (loss) from discontinued operations	4		(15)		19
Net income	180		328		(148)
Less: Noncontrolling interests net income	21		9		12
Net income attributable to the parent company	<u>\$ 159</u>		<u>\$ 319</u>		<u>\$ (160)</u>

Sales — The following table shows changes in our sales by geographic region.

	2015	2014	Increase/ (Decrease)	Amount of Change Due To		
				Currency Effects	Acquisitions (Divestitures)	Organic Change
North America	\$ 3,210	\$ 3,126	\$ 84	\$ (48)	\$ —	\$ 132
Europe	1,723	1,978	(255)	(313)		58
South America	377	771	(394)	(110)	(107)	(177)
Asia Pacific	750	742	8	(45)		53
Total	<u>\$ 6,060</u>	<u>\$ 6,617</u>	<u>\$ (557)</u>	<u>\$ (516)</u>	<u>\$ (107)</u>	<u>\$ 66</u>

Sales for 2015 declined \$557 or 8% from 2014. Weaker international currencies decreased sales by \$516 and the divestiture of our operations in Venezuela reduced sales by \$107. The organic sales increase resulted from stronger overall volume levels that added \$65 and cost recovery pricing which contributed \$1.

Stronger light vehicle and light vehicle engine production levels in North America were largely responsible for the 4% organic sales increase in this region. Full frame light truck production was 8% stronger than last year, while light vehicle engine production levels were about 2% higher. Increased medium/heavy truck production of about 6% and new customer programs coming on line over the past year also contributed to increased year-over-year sales. Partially offsetting this stronger demand and new business was lower sales with a significant Commercial Vehicle segment customer.

Excluding currency effects, principally from a weaker euro and British pound, our sales in Europe were 3% higher than in 2014. Higher sales from increases in light vehicle engine and light truck production of around 5% and 9%, growth in medium/heavy truck production of about 10% and new customer programs were partially offset by weaker off-highway demand levels.

South America sales were reduced by weaker currencies in Brazil, Argentina and Colombia and the divestiture of our operations in Venezuela. Excluding these effects, sales were down 23% from 2014. The organic sales decrease in the region was primarily driven by reductions in medium/heavy truck production levels of about 49%, a decline in light truck production

of 17% and weaker off-highway demand. Partially offsetting weaker demand levels in the region were higher sales associated with light vehicle new business, content increases and cost recovery pricing.

Asia Pacific sales in 2015 were up slightly from 2014. The organic sales increase of 7% in the region was driven principally by stronger light vehicle and medium/heavy truck sales volumes in Thailand and India and increased off-highway sales levels in our operation in China.

Cost of sales and gross margin — Cost of sales for 2015 declined \$461, or 8%, when compared to 2014. Similar to our reduction in sales, the change was due primarily to currency effects with a partial offset provided by higher sales volumes. Cost of sales as a percent of sales in 2015 was 30 basis points higher than last year. In addition to the benefit of stronger volume levels in some of our markets, savings from material cost reduction initiatives reduced cost by \$48, with lower commodity costs contributing an additional \$14. These favorable impacts on cost of sales were more than offset by an increase in warranty expense of \$11, costs attributed to supply chain disruptions in our Commercial Vehicle segment of \$16, an increase in engineering and product development expense of \$7, an increase in environmental remediation expense of \$8, higher costs in certain markets where we were unable to effectively flex our cost with lower demand levels and other inflationary cost increases.

Gross margin of \$849 in 2015 was \$96 lower than last year, representing 14.0% of sales in 2015 as compared to 14.3% of sales in 2014. The 30 basis point decrease in gross margin was principally driven by the net effect of the cost factors referenced above, partially offset by a nominal pricing and cost recovery benefit.

Selling, general and administrative expenses (SG&A) — SG&A expenses in 2015 were \$391 (6.5% of sales) as compared to \$411 (6.2% of sales) in 2014. Salary and benefits expenses in 2015 were \$15 lower than in 2014 primarily due to lower anticipated payouts under various annual incentive programs, while selling expense and other discretionary spending declined \$5.

Amortization of intangibles — The reduction of \$28 in amortization of intangibles is primarily attributable to certain customer related intangibles becoming fully amortized.

Restructuring charges — Restructuring charges of \$15 in 2015 included \$12 of employee separation costs and \$3 of exit costs. The majority of the separation cost was attributable to headcount reductions in our Brazil operations, primarily in our Commercial Vehicle segment, in response to significantly lower demand levels. The exit costs in 2015 were primarily related to activities associated with previously announced facility closure and realignment actions. The restructuring charges of \$21 in 2014 primarily represented the impact of headcount reduction initiatives in our Commercial Vehicle and Light Vehicle businesses in South America and Europe, including the closure of our Commercial Vehicle foundry in Argentina and other severance and exit costs associated with previously announced initiatives.

Impairment of long-lived assets — Reference is made to Note 3 of the consolidated financial statements in Item 8 for discussion of charges recognized in connection with an impairment of long-lived assets attributable to an exclusive supply relationship with a South American supplier.

Loss on disposal group held for sale — During the fourth quarter of 2014, we entered into an agreement to sell our operations in Venezuela. We completed the sale in January 2015. The divested business was determined to be held for sale at December 31, 2014, resulting in the recognition of a loss of \$80 to reduce the assets and liabilities of this business to their fair value less cost to sell. Reference is made to Divestitures in this Item 7 and to Note 3 of the consolidated financial statements in Item 8 for additional disclosures regarding this transaction.

Pension settlement charges — We completed two actions in the fourth quarter of 2014 that reduced our pension plan obligations. Lump sum payments to deferred vested salaried participants in our U.S. pension plans under a voluntary program resulted in a settlement charge of \$36, while completion of a wind-up of certain Canadian pension plans resulted in a charge of \$6. See Note 11 of the consolidated financial statements in Item 8 for additional discussion of these two actions.

Other income, net — The following table shows the major components of Other income, net.

	2015	2014
Government grants and incentives	\$ 3	\$ 4
Foreign exchange gain (loss)	(20)	11
Gain on derecognition of noncontrolling interest	5	
Strategic transaction expenses	(4)	(3)
Insurance and other recoveries	4	2
Gain on sale of marketable securities	1	
Recognition of unrealized gain on payment-in-kind note receivable		2
Amounts attributable to previously divested/closed operations	1	
Other, net	11	17
Other income, net	<u>\$ 1</u>	<u>\$ 33</u>

During 2015, net foreign exchange loss primarily reflects the adverse impact of settlements of certain Mexican peso and euro forward contracts driven by the strengthening of the U.S. dollar. Net foreign exchange gain in 2014 resulted in large part from favorable currency movement on an intercompany loan that was fully paid in the first half of 2014. As described in Notes 1 and 18 to the consolidated financial statements in Item 8, devaluation of the Venezuelan bolivar, net of transactional gains, resulted in a net foreign currency gain of \$2 in 2014. Upon completion of the divestiture of our operations in Venezuela in January 2015, we recognized a \$5 gain on the derecognition of the noncontrolling interest in one of our former Venezuelan subsidiaries. See Notes 3 and 18 to our consolidated financial statements in Item 8 for additional information. The January 2014 sale of a payment-in-kind note resulted in the recognition of \$2 of unrealized gain that arose following the valuation of the note below its callable value at emergence from bankruptcy. During 2015, we reached a \$3 settlement with an insurance carrier for the recovery of previously incurred legal costs, while 2014 included a payment of \$2 from the liquidation proceedings of an insolvent insurer carrier. Additionally, as part of correcting overstatements of our pension obligations and goodwill in 2014, we credited Other income, net for \$6 to effectively reverse a portion of the write-off of goodwill assigned to our former Driveshaft segment in 2008. See Note 1 to our consolidated financial statements in Item 8 for additional information.

Loss on extinguishment of debt — Actions to refinance a portion of our long-term debt that commenced in the fourth quarter of 2014 were completed in the first quarter of 2015, with expense recognized for the call premium incurred and write-off of unamortized financing costs associated with debt extinguished in this year's first quarter.

Interest income and interest expense — Interest income was \$13 and \$15 in 2015 and 2014. Interest expense was \$113 and \$118 in 2015 and 2014. The impact of higher average debt levels was more than offset by a lower average effective interest rate on borrowings. As discussed in Note 13 to our consolidated financial statements in Item 8, we completed the sale of \$425 of 5.5% senior unsecured notes in December 2014, utilizing the proceeds to redeem \$400 of 6.5% senior unsecured notes. Average effective interest rates, inclusive of amortization of debt issuance costs, approximated 6.6% and 6.9% in 2015 and 2014.

Income tax expense (benefit) — Income tax expense of our continuing operations was \$82 in 2015 and a benefit of \$70 in 2014. The effective income tax rates vary from the U.S. federal statutory rate of 35% primarily due to valuation allowances in several countries, nondeductible expenses, different statutory rates outside the U.S. and withholding taxes. During 2015, we completed an intercompany transfer of an affiliate's stock and certain operating assets, as discussed in Note 17 of the consolidated financial statements in Item 8. In conjunction with this transaction, we released \$66 of valuation allowance on U.S. deferred tax assets and recognized \$23 of tax expense related to the stock sale and \$2 of amortization of a prepaid tax asset created as a part of the transaction. We also established a valuation allowance of \$15 against the deferred tax assets of a South American subsidiary. During 2014, we released valuation allowance of \$179 related to the intercompany transaction discussed above that was partially offset by a valuation allowance adjustment related to the \$80 charge recorded in connection with the divestiture of our Venezuelan operations. Excluding these items, the effective tax rate was 37% in 2015 as compared to 33% in 2014. The main driver of the increase is related to the jurisdictional mix of the earnings of our non-U.S. operations.

In the U.S. and certain other countries, our recent history of operating losses does not allow us to satisfy the "more likely than not" criterion for recognition of deferred tax assets. Therefore, there is generally no income tax recognized on the pre-tax income or losses in these jurisdictions as valuation allowance adjustments offset the associated tax effects. See Note 17 to our consolidated financial statements in Item 8 for a discussion of the factors considered in our evaluation of the valuation allowances against our U.S. deferred tax assets.

Equity in earnings (losses) of affiliates — Equity investments provided a net loss of \$34 in 2015 and earnings of \$13 in 2014. Our equity in earnings from BSFB were \$11 in 2015 and \$10 in 2014. Our share of DDAC's operating results were a loss of \$7 in 2015 and earnings of \$5 in 2014. During the fourth quarter of 2015, we determined that we had an other-than-temporary decrease in the carrying value of our DDAC investment and recorded a \$39 impairment charge. See Note 20 to our consolidated financial statements in Item 8.

Income (loss) from discontinued operations — Income (loss) from discontinued operations activity relates to our Structural Products business. See Note 3 to our consolidated financial statements in Item 8.

Noncontrolling interests net income — As more fully discussed in Note 1 to our consolidated financial statements in Item 8, the first quarter of 2015 included \$9 for correction of previously reported noncontrolling interests net income.

Segment Results of Operations (2015 versus 2014)

Light Vehicle

	Sales	Segment EBITDA	Segment EBITDA Margin
2014	\$ 2,496	\$ 250	10.0%
Volume and mix	200	34	
Performance	(12)		
Venezuelan divestiture	(107)		
Currency effects	(95)	(22)	
2015	<u>\$ 2,482</u>	<u>\$ 262</u>	10.6%

Light Vehicle sales in 2015 were reduced by currency translation effects, primarily as a result of a weaker British pound sterling, Brazil real, Argentina peso, Thailand baht and South African rand, and the divestiture of our Venezuela operations in January 2015. Sales, exclusive of currency and divestiture effects, were 8% higher in 2015 than in 2014. The volume related increases were driven in part by stronger production levels. North America full frame light truck production in 2015 was up 8% from the same period of 2014, and light truck production in Europe and Asia Pacific was stronger by 9% and 8%. Light Vehicle volume increases in 2015 also benefited from new customer programs that came on line over the past couple years.

Light Vehicle segment EBITDA of \$262 in 2015 is \$12 higher than 2014 as the benefit of stronger sales volumes was partially offset by currency effect. In addition to reductions resulting from translation of international results at weaker exchange rates relative to the U.S. dollar, we experienced increased year-over-year transactional currency losses of \$10 on non-functional currency denominated activities and intercompany balances. Performance-related segment EBITDA was neutral, with \$33 from material cost savings and lower commodity costs being offset by \$12 due to lower pricing, a \$4 increase in warranty costs, a \$2 increase in program launch costs, an additional \$2 of engineering and product development expense, net of customer reimbursement, and other items.

Commercial Vehicle

	Sales	Segment EBITDA	Segment EBITDA Margin
2014	\$ 1,838	\$ 172	9.4%
Volume and mix - Brazil	(166)	(35)	
Volume and mix - All other	(19)	(9)	
Performance	24	(11)	
Currency effects	(144)	(17)	
2015	<u>\$ 1,533</u>	<u>\$ 100</u>	6.5%

The currency related reduction in sales was primarily due to a weaker euro, Brazil real and Mexico peso. After adjusting for the effects of currency, 2015 sales in our Commercial Vehicle segment decreased 9% compared to 2014. Weaker end market demand in Brazil where year-over-year medium/heavy truck production was down 44% reduced sales by \$166. The remaining volume reduction is primarily attributable to lower sales of about \$100 from lost market share with a major customer due to

residual effects of the supply chain inefficiencies that impacted our performance in the first half of 2015. Partially offsetting this was higher sales from stronger production levels in North America where year-over-year medium/heavy truck production was up about 6%. Pricing recoveries provided a partial offset to the currency and volume impacts on 2015 sales.

Commercial Vehicle segment EBITDA of \$100 was \$72 lower than in 2014. Weaker Brazil market demand contributed \$35, with an additional \$9 resulting from net lower sales elsewhere, principally in North America as a result of the above-mentioned market share reduction with a major customer. Year-over-year performance-related segment EBITDA includes a benefit of \$25 for increased pricing/recoveries and material cost savings and lower commodity costs of \$5. These benefits were more than offset by increased warranty expense of \$16, higher supplier transition costs of \$8 and other cost increases.

Off-Highway

	Sales	Segment EBITDA	Segment EBITDA Margin
2014	\$ 1,231	\$ 169	13.7%
Volume and mix	(25)	(10)	
Performance	(1)	14	
Currency effects	(165)	(26)	
2015	<u>\$ 1,040</u>	<u>\$ 147</u>	14.1%

Reduced year-over-year sales due to currency effects resulted principally from a weaker euro. Currency-adjusted sales for 2015 were down slightly from 2014. New business gains in this business are largely offsetting the impact of continued weakness in global end-market demand.

Off-Highway segment EBITDA of \$147 in 2015 was down \$22 from 2014. Currency effects are the primary driver of the reduced EBITDA, reflecting a weaker euro and other international currencies. The performance-related segment EBITDA improvement is primarily attributable to material cost savings of \$18 and lower warranty expense of \$3 which is partially offset by increases in other costs.

Power Technologies

	Sales	Segment EBITDA	Segment EBITDA Margin
2014	\$ 1,052	\$ 154	14.6%
Volume and mix	75	15	
Performance	(10)	2	
Currency effects	(112)	(22)	
2015	<u>\$ 1,005</u>	<u>\$ 149</u>	14.8%

Power Technologies primarily serves the light vehicle market but also sells product to the medium/heavy truck and off-highway markets. A weaker euro and Canadian dollar were the primary drivers of the reduced sales due to currency. Net of currency effects, sales in 2015 increased about 6% compared to 2014, principally from stronger market demand. Increases in year-over-year light vehicle engine build of 2% in North America and 5% in Europe were the primary drivers of the volume increase.

Segment EBITDA of \$149 in 2015 was \$5 lower than 2014, due principally to currency effects. The performance-related improvement in 2015 segment EBITDA was primarily driven by lower warranty expense of \$7 and higher material cost savings of \$6, partially offset by pricing actions which reduced segment earnings by \$10.

Non-GAAP Financial Measures

Adjusted EBITDA

We have defined adjusted EBITDA as net income before interest, taxes, depreciation, amortization, equity grant expense, restructuring expense and other adjustments not related to our core operations (gain/loss on debt extinguishment, pension settlements, divestitures, impairment, etc.). Adjusted EBITDA is a measure of our ability to maintain and continue to invest in our operations and provide shareholder returns. We use adjusted EBITDA in assessing the effectiveness of our business strategies, evaluating and pricing potential acquisitions and as a factor in making incentive compensation decisions. In addition to its use by management, we also believe adjusted EBITDA is a measure widely used by securities analysts, investors and others to evaluate financial performance of our company relative to other Tier 1 automotive suppliers. Adjusted EBITDA should not be considered a substitute for income before income taxes, net income or other results reported in accordance with GAAP. Adjusted EBITDA may not be comparable to similarly titled measures reported by other companies.

The following table provides a reconciliation of net income to adjusted EBITDA.

	2016	2015	2014
Net income	\$ 653	\$ 180	\$ 328
Income (loss) from discontinued operations		4	(15)
Income from continuing operations	653	176	343
Equity in earnings (losses) of affiliates	14	(34)	13
Income tax expense (benefit)	(424)	82	(70)
Income from continuing operations before income taxes	215	292	260
Depreciation and amortization	182	174	213
Restructuring	36	15	21
Interest expense, net	100	100	103
Other*	127	71	149
Adjusted EBITDA	<u>\$ 660</u>	<u>\$ 652</u>	<u>\$ 746</u>

* Other includes stock compensation expense, strategic transaction expenses, gain on derecognition of noncontrolling interest, distressed supplier costs, amounts attributable to previously divested/closed operations, loss on extinguishment of debt, loss on sale of subsidiaries and other items. See Note 19 to our consolidated financial statements in Item 8 of Part II for additional details.

Free Cash Flow

We have defined free cash flow as cash provided by operating activities less purchases of property, plant and equipment. We believe this measure is useful to investors in evaluating the operational cash flow of the company inclusive of the spending required to maintain the operations. Free cash flow is neither intended to represent nor be an alternative to the measure of net cash provided by operating activities reported under GAAP. Free cash flow may not be comparable to similarly titled measures reported by other companies.

The following table reconciles net cash flows provided by operating activities to free cash flow.

	2016	2015	2014
Net cash provided by operating activities	\$ 384	\$ 406	\$ 510
Purchases of property, plant and equipment	(322)	(260)	(234)
Free cash flow	<u>\$ 62</u>	<u>\$ 146</u>	<u>\$ 276</u>

Liquidity

The following table provides a reconciliation of our liquidity, a non-GAAP measure, to cash and cash equivalents at December 31, 2016:

Cash and cash equivalents	\$ 707
Less: Deposits supporting obligations	(6)
Available cash	<u>701</u>
Additional cash availability from revolving facility	478
Marketable securities	30
Total liquidity	<u>\$ 1,209</u>

Cash deposits are maintained to provide credit enhancement for certain agreements and are reported as part of cash and cash equivalents. For most of these deposits, the cash may be withdrawn if comparable security is provided in the form of letters of credit. Accordingly, these deposits are not considered to be restricted.

Marketable securities are included as a component of global liquidity as these investments can be readily liquidated at our discretion.

The components of our December 31, 2016 consolidated cash balance were as follows:

	U.S.	Non-U.S.	Total
Cash and cash equivalents	\$ 150	\$ 480	\$ 630
Cash and cash equivalents held as deposits		6	6
Cash and cash equivalents held at less than wholly-owned subsidiaries	3	68	71
Consolidated cash balance	<u>\$ 153</u>	<u>\$ 554</u>	<u>\$ 707</u>

On February 1, 2017, we used €167 of cash to acquire an 80% ownership interest in BFP and BPT from Brevini. We intend to refinance debt assumed in the transaction during the first quarter of 2017.

A portion of the non-U.S. cash and cash equivalents is utilized for working capital and other operating purposes. Several countries have local regulatory requirements that significantly restrict the ability of our operations to repatriate this cash. Beyond these restrictions, there are practical limitations on repatriation of cash from certain subsidiaries because of the resulting tax withholdings and subsidiary by-law restrictions which could limit our ability to access cash and other assets.

The principal sources of liquidity available for our future cash requirements are expected to be (i) cash flows from operations, (ii) cash and cash equivalents on hand and (iii) borrowings from our revolving facility. We believe that our overall liquidity and operating cash flow will be sufficient to meet our anticipated cash requirements for capital expenditures, working capital, debt obligations, common stock repurchases and other commitments during the next twelve months. While uncertainty surrounding the current economic environment could adversely impact our business, based on our current financial position, we believe it is unlikely that any such effects would preclude us from maintaining sufficient liquidity.

In May 2016, Dana Financing Luxembourg S.à r.l. completed the issuance of \$375 of its June 2026 Notes. Net proceeds of the offering after transaction costs totaled \$368, of which \$362 was used to redeem all of our February 2021 Notes at a price of 103.375%.

On June 9, 2016, we entered into a new \$500 revolving credit facility (the "Revolving Facility") which matures on June 9, 2021. The Revolving Facility refinanced and replaced our previous revolving credit facility. At December 31, 2016, we had no borrowings under the revolving facility but we had utilized \$22 for letters of credit. We had availability at December 31, 2016 under the Revolving Facility of \$478 after deducting the outstanding letters of credit.

At December 31, 2016, we were in compliance with the covenants of our financing agreements. Under the Revolving Facility and our senior notes, we are required to comply with certain incurrence-based covenants customary for facilities of these types. The incurrence-based covenants in the Revolving Facility permit us to, among other things, (i) issue foreign subsidiary indebtedness, (ii) incur general secured indebtedness subject to a pro forma first lien net leverage ratio not to exceed 1.50:1.00 in the case of first lien debt and a pro forma secured net leverage ratio of 2.50:1.00 in the case of other secured debt and (iii) incur additional unsecured debt subject to a pro forma total net leverage ratio not to exceed 3.50:1.00. We may also make dividend payments in respect of our common stock as well as certain investments and acquisitions subject to a pro forma total net leverage ratio of 2.75:1.00. In addition, the Revolving Facility is subject to a financial covenant requiring us to maintain a first lien net leverage ratio not to exceed 2.00:1.00. The indentures governing the senior notes include other incurrence-based covenants that may subject us to additional specified limitations.

Our Board of Directors approved an expansion of our existing common stock share repurchase program from \$1,400 to \$1,700 on January 11, 2016. During the first half of 2016, we paid \$81 to acquire 6,612,537 shares of common stock in the open market. We did not repurchase any shares during the second half of 2016.

From time to time, depending upon market, pricing and other conditions, as well as our cash balances and liquidity, we may seek to acquire our senior notes or other indebtedness or our common stock through open market purchases, privately negotiated transactions, tender offers, exchange offers or otherwise, upon such terms and at such prices as we may determine

(or as may be provided for in the indentures governing the notes), for cash, securities or other consideration. There can be no assurance that we will pursue any such transactions in the future, as the pursuit of any alternative will depend upon numerous factors such as market conditions, our financial performance and the limitations applicable to such transactions under our financing and governance documents.

Cash Flow

	2016	2015	2014
Cash used for changes in working capital	\$ (51)	\$ (41)	\$ (39)
Other cash provided by operations	435	447	549
Net cash provided by operating activities	<u>384</u>	<u>406</u>	<u>510</u>
Net cash used in investing activities	(365)	(258)	(246)
Net cash used in financing activities	(88)	(403)	(254)
Net increase (decrease) in cash and cash equivalents	<u>\$ (69)</u>	<u>\$ (255)</u>	<u>\$ 10</u>

The table above summarizes our consolidated statement of cash flows. In January 2014, we sold a payment-in-kind note receivable to a third party for \$75. The proceeds included \$35 of principal and \$40 of interest related to prior years. The principal portion of the payment has been classified as cash provided by investing activities and the interest portion has been classified as cash provided by operating activities.

Operating activities — Exclusive of working capital, other cash provided by operations was \$435 during 2016 compared to \$447 during 2015 and \$549 during 2014. The decrease during 2016 was primarily attributable to a year-over-year increase in cash paid for interest of \$15 and cash paid on the settlement of foreign currency forward contracts and swaps of \$7, partially offset by higher operating earnings. The decrease during 2015 was primarily attributable to lower operating earnings and the \$40 of cash received in 2014 on our payment-in-kind note receivable that was attributable to interest, partially offset by year-over-year reductions in cash income taxes of \$26, cash paid for interest of \$26 and restructuring payments of \$10.

Working capital used cash of \$51 and \$41 in 2016 and 2015. Cash of \$86 was used to finance increased receivables in 2016. Cash of \$13 and \$28 was used to fund higher inventory levels in 2016 and 2015. Increases in accounts payable and other net liabilities provided cash of \$48 in 2016 while decreases in accounts payable and other net liabilities used cash of \$13 in 2015. Increased working capital levels at the end of 2016 were due in part to November and December sales in 2016 being higher than in 2015. The significant increase in capital project activity during the fourth quarter of 2016, in support of new business awarded by our customers, contributed to increased levels of accounts payable and other liabilities.

Working capital used cash of \$41 and \$39 in 2015 and 2014. Cash of \$32 was used to finance increased receivables in 2014. Cash of \$28 and \$56 was used to fund higher inventory levels in 2015 and 2014. Decreases in accounts payable and other net liabilities used cash of \$13 in 2015 while increases in accounts payable and other net liabilities provided cash of \$49 in 2014.

Investing activities — Expenditures for property plant and equipment were \$322, \$260 and \$234 in 2016, 2015 and 2014. During 2016, we paid \$18 to acquire the aftermarket distribution business of Magnum and \$60 to acquire the strategic assets of SIFCO's commercial vehicle steer axle systems and related forged components businesses. During 2016, we received net proceeds of \$5 and \$29 related to the sale of our Nippon Reinz and DCLLC subsidiaries. During 2016 and 2015, purchases of marketable securities were funded by proceeds from sales and maturities of marketable securities. As discussed above, we received proceeds in 2014 from the sale of a payment-in-kind note receivable which included \$35 of principal. During 2014, net purchases of marketable securities were primarily funded by cash receipts related to the sale of our payment-in-kind notes receivable. Also during 2014, we received \$9 that was released from escrow related to the 2010 sale of our former Structural Products business.

Financing activities — During 2016, Dana Financing Luxembourg S.à r.l. completed the issuance of \$375 of its June 2026 Notes and paid financing costs of \$7 related to the notes. We paid financing costs of \$3 to enter our Revolving Facility and a premium of \$12 to redeem all of our February 2021 Notes. Also during 2016, we made scheduled repayments of \$32 and took out \$66 of additional long-term debt at international locations. During 2015, we redeemed \$55 of our February 2019 Notes at a \$2 premium. During 2014, we completed the sale of \$425 in senior unsecured notes and paid financing costs of \$7 related to the notes. Also during 2014, we redeemed \$345 of our February 2019 Notes at a \$15 premium. We used cash of \$81, \$311 and \$260 to repurchase common shares under our share repurchase program in 2016, 2015 and 2014. We used \$8 for dividend payments to preferred stockholders in 2014 and used \$35, \$37 and \$32 for dividend payments to common stockholders in 2016, 2015 and 2014. Distributions to noncontrolling interests totaled \$17, \$9 and \$9 in 2016, 2015 and 2014.

Off-Balance Sheet Arrangements

In connection with the divestiture of our Structural Products business in 2010, leases covering three U.S. facilities were assigned to a U.S. affiliate of Metalsa. Under the terms of the sale agreement, we guarantee the affiliate's performance under the leases, which run through June 2025, including approximately \$6 of annual payments. In the event of a required payment by Dana as guarantor, we are entitled to pursue full recovery from Metalsa of the amounts paid under the guarantee and to take possession of the leased property.

Contractual Obligations

We are obligated to make future cash payments in fixed amounts under various agreements. The following table summarizes our significant contractual obligations as of December 31, 2016.

Contractual Cash Obligations	Payments Due by Period				
	Total	2017	2018 - 2019	2020 - 2021	After 2021
Long-term debt ⁽¹⁾	\$ 1,653	\$ 45	\$ 58	\$ 450	\$ 1,100
Interest payments ⁽²⁾	673	97	181	180	215
Leases ⁽³⁾	214	38	63	45	68
Unconditional purchase obligations ⁽⁴⁾	166	163	1	1	1
Pension contribution ⁽⁵⁾	12	12			
Retiree health care benefits ⁽⁶⁾	91	4	10	10	67
Uncertain income tax positions ⁽⁷⁾					
Total contractual cash obligations	<u>\$ 2,809</u>	<u>\$ 359</u>	<u>\$ 313</u>	<u>\$ 686</u>	<u>\$ 1,451</u>

Notes:

- (1) Principal payments on long-term debt and capital lease obligations in place at December 31, 2016.
- (2) Interest payments are based on long-term debt and capital leases in place at December 31, 2016 and the interest rates applicable to such obligations.
- (3) Operating leases related to real estate, vehicles and other assets.
- (4) Unconditional purchase obligations are comprised principally of commitments for procurement of fixed assets and the purchase of raw materials.
- (5) This amount represents estimated 2017 minimum required contributions to our global defined benefit pension plans. We have not estimated pension contributions beyond 2017 due to the significant impact that return on plan assets and changes in discount rates might have on such amounts.
- (6) This amount represents estimated payments under our non-U.S. retiree health care programs. Obligations under the non-U.S. retiree health care programs are not fixed commitments and will vary depending on various factors, including the level of participant utilization and inflation. Our estimates of the payments to be made in the future consider recent payment trends and certain of our actuarial assumptions.
- (7) We are not able to reasonably estimate the timing of payments related to uncertain tax positions because the timing of settlement is uncertain. The above table does not reflect unrecognized tax benefits at December 31, 2016 of \$117. See Note 17 to our consolidated financial statements in Item 8 for additional discussion.

At December 31, 2016, we maintained cash balances of \$6 on deposit with financial institutions primarily to support property insurance policy deductibles, certain employee retirement obligations and specific government approved environmental remediation efforts.

Contingencies

For a summary of litigation and other contingencies, see Note 15 to our consolidated financial statements in Item 8. We believe that any liabilities beyond the amounts already accrued that may result from these contingencies will not have a material adverse effect on our liquidity, financial condition or results of operations.

Critical Accounting Estimates

The preparation of our consolidated financial statements in accordance with GAAP requires us to use estimates and make judgments and assumptions about future events that affect the reported amounts of assets, liabilities, revenue, expenses and the related disclosures. Considerable judgment is often involved in making these determinations. Critical estimates are those that require the most difficult, subjective or complex judgments in the preparation of the financial statements and the accompanying

notes. We evaluate these estimates and judgments on a regular basis. We believe our assumptions and estimates are reasonable and appropriate. However, the use of different assumptions could result in significantly different results and actual results could differ from those estimates. The following discussion of accounting estimates is intended to supplement the Summary of Significant Accounting Policies presented as Note 1 to our consolidated financial statements in Item 8.

Income taxes — Accounting for income taxes is complex, in part because we conduct business globally and therefore file income tax returns in numerous tax jurisdictions. Significant judgment is required in determining the income tax provision, uncertain tax positions, deferred tax assets and liabilities and the valuation allowances recorded against our net deferred tax assets. A valuation allowance is provided when, in our judgment based upon available information, it is more likely than not that a portion of such deferred tax assets will not be realized. To make this assessment, we consider the historical and projected future taxable income or loss by tax jurisdiction. We consider all components of comprehensive income and weight the positive and negative evidence, putting greater reliance on objectively verifiable historical evidence than on projections of future profitability that are dependent on actions that have not taken place as of the assessment date. We also consider changes to historical profitability of actions that occurred through the date of assessment and objectively verifiable effects of material forecasted events that would have a sustained effect on future profitability, as well as the effect on historical profits of nonrecurring events. We also incorporate the changes to historical and prospective income from tax planning strategies expected to be implemented.

Prior to 2016, we carried a valuation allowance against deferred tax assets in the U.S. While our U.S. operations have experienced improved profitability in recent years, our analysis of the income of the U.S. operations, as adjusted for changes in historical results due to developments through 2015, demonstrated historical losses as of December 31, 2015. Additionally, there were considerable uncertainties in the U.S. in certain of our end markets. Therefore, we had not achieved a level of sustained profitability that would, in our judgment, support a release of the valuation allowance prior to 2016.

During the fourth quarter, following the completion of an enterprise wide strategy assessment and our annual one and five year financial plans, the Company assessed the weight of all available positive and negative evidence and determined it was more likely than not that future earnings will be sufficient to realize most of our deferred tax assets in the U.S. Accordingly, we have released most of the U.S. valuation allowance at December 31, 2016, resulting in an income tax benefit of \$501. In arriving at the conclusion that we had achieved sustained profitability in the U.S., we considered the following positive evidence: we were in a cumulative three-year historical income position in the U.S., we had income in seven of the eight previous quarters; we successfully launched a replacement business for one of our largest customer programs for Light Vehicle in the U.S. with actual volumes and margins which were consistent with our forecast in the fourth quarter; we stabilized our U.S. Commercial Vehicle business despite lower than expected volumes; and, we secured certain new programs with customers that increased our sales backlog in the U.S.

We have retained a valuation allowance of \$137 against deferred tax assets in the U.S. primarily related to state operating loss carryforwards and other credits which do not meet the more likely than not criterion for releasing the valuation allowance.

Our analysis of the operations of a subsidiary in Brazil, adjusted for changes in the historical results due to the effects of developments through the current date and planned future actions, reflects three years of historical cumulative losses and our annual one and five year financial plans forecast continued near term losses. Therefore, we determined it was not more likely than not that future earnings will be sufficient to realize the deferred tax assets. Accordingly, we have recorded a valuation allowance as of December 31, 2016, resulting in income tax expense of \$25.

In the ordinary course of business, there are many transactions and calculations where the ultimate tax determination is less than certain. We are regularly under audit by the various applicable tax authorities. Although the outcome of tax audits is always uncertain, we believe that we have appropriate support for the positions taken on our tax returns and that our annual tax provisions include amounts sufficient to pay assessments, if any, which may be proposed by the taxing authorities. Nonetheless, the amounts ultimately paid, if any, upon resolution of the issues raised by the taxing authorities may differ materially from the amounts accrued for each year. See additional discussion of our deferred tax assets and liabilities in Note 17 to our consolidated financial statements in Item 8.

Retiree benefits — Accounting for pension benefits and other postretirement benefits (OPEB) involves estimating the cost of benefits to be provided well into the future and attributing that cost to the time period each employee works. These plan expenses and obligations are dependent on assumptions developed by us in consultation with our outside advisers such as actuaries and other consultants and are generally calculated independently of funding requirements. The assumptions used, including inflation, discount rates, investment returns, life expectancies, turnover rates, retirement rates, future compensation levels and health care cost trend rates, have a significant impact on plan expenses and obligations. These assumptions are regularly reviewed and modified when appropriate based on historical experience, current trends and the future outlook.

Changes in one or more of the underlying assumptions could result in a material impact to our consolidated financial statements in any given period. If actual experience differs from expectations, our financial position and results of operations in future periods could be affected.

Mortality rates are based in part on the company's plan experience and actuarial estimates. The inflation assumption is based on an evaluation of external market indicators, while retirement and turnover rates are based primarily on actual plan experience. Health care cost trend rates are developed based on our actual historical claims experience, the near-term outlook and an assessment of likely long-term trends. For our largest plans, discount rates are based upon the construction of a yield curve which is developed based on a subset of high-quality fixed-income investments (those with yields between the 40th and 90th percentiles). The projected cash flows are matched to this yield curve and a present value developed which is then calibrated to develop a single equivalent discount rate. Pension benefits are funded through deposits with trustees that satisfy, at a minimum, the applicable funding regulations. For our largest defined benefit pension plans, expected investment rates of return are based on input from the plans' investment advisers and actuary regarding our expected investment portfolio mix, historical rates of return on those assets, projected future asset class returns, the impact of active management and long-term market conditions and inflation expectations. We believe that the long-term asset allocation on average will approximate the targeted allocation and we regularly review the actual asset allocation to periodically re-balance the investments to the targeted allocation when appropriate. OPEB and the majority of our non-U.S. pension benefits are funded as they become due.

Actuarial gains or losses may result from changes in assumptions or when actual experience is different from that which was expected. Under the applicable standards, those gains and losses are not required to be immediately recognized in our results of operations as income or expense, but instead are deferred as part of accumulated other comprehensive income (AOCI) and amortized into our results of operations over future periods.

U.S. retirement plans

Our U.S. defined benefit pension plans comprise about 85% of our consolidated defined benefit pension obligations at December 31, 2016. These plans are frozen and no service-related costs are being incurred. Changes in our net obligations are principally attributable to changing discount rates and the performance of plan assets. Pension obligations are valued using discount rates established annually in consultation with our outside actuarial advisers using the same yield curve approach described above. Rising discount rates decrease the present value of future pension obligations – a 25 basis point increase in the discount rate would decrease our U.S. pension liability by about \$41. As indicated above, when establishing the expected long-term rate of return on our U.S. pension plan assets, we consider historical performance and forward looking return estimates reflective of our portfolio mix and investment strategy. Based on the most recent analysis of projected portfolio returns, we concluded that the use of 6.0% as the expected return on our U.S. pension plan assets for 2017 is appropriate. See Note 11 to the consolidated financial statements in Item 8 for information about the investing and allocation objectives related to our U.S. pension plan assets.

The Society of Actuaries (SOA) issued new mortality improvement scales in the fourth quarter of 2016, marking the third consecutive year for revised guidance. In developing MP-2016, the SOA considered actual experience for 2012 and 2013 and preliminary experience for 2014. When it issued MP-2014, the SOA had projected improvement from the beginning of 2008 after analyzing historical data through 2007. In connection with selecting our assumptions in 2014, we had compared actual experience for years after 2007 to the improvement projected in MP-2014, along with other information, before concluding that a 0.75% long-term improvement rate (LTIR) for periods beginning with 2014 was appropriate and assuming that the LTIR would be attained by 2020, sooner than the period assumed in MP-2014. The mortality improvement assumptions adopted in 2014 were not modified in 2015 as they were generally consistent with MP-2015. We reviewed the data in MP-2016 and concluded that the adjustments made to MP-2014 are also appropriate with respect to the latest guidance, resulting in the adoption of MP-2016 modified to reflect an LTIR of 0.75% being achieved by 2027. Adopting the modified MP-2016 scale did not have a material effect on our pension obligations.

Effective January 1, 2016, we changed the method used to estimate the service (where applicable) and interest components of the annual cost of our pension and other postretirement benefit plans. Prior to 2016, we estimated interest and service expense using the discount rate underlying the calculation of the related projected benefit obligation at the end of the preceding year, which was a weighted-average rate derived from the corresponding yield curve. The new method, referred to as a full yield curve approach, estimates interest and service expense using the specific spot rates, from the yield curve, that relate to projected cash flows. This method, which we believe is more precise, reduced interest expense for our pension plans in the U.S. by approximately \$14 in 2016 and will reduce the interest component by \$11 in 2017. The determination of the projected benefit obligation at year end is unchanged, however, so the actuarial gain or loss is affected by the amount of the change in interest and service expense.

At December 31, 2016, we have \$560 of unrecognized losses relating to our U.S. pension plans. Actuarial gains and losses, which are primarily the result of changes in the discount rate and other assumptions and differences between actual and expected asset returns, are deferred in AOCI and amortized to expense following the corridor approach. We use the average remaining service period of active participants unless almost all of the plan's participants are inactive, in which case we use the average remaining life expectancy of inactive participants.

Actuarial gains and losses can also impact required cash contributions. Based on the current funded status of our U.S. plans, there are no minimum contribution requirements for 2017.

See Note 11 to our consolidated financial statements in Item 8 for additional discussion of our pension and OPEB obligations.

Goodwill and other indefinite-lived intangible assets — Our goodwill and other indefinite-lived intangible assets are tested for impairment annually as of October 31 for all of our reporting units, and more frequently if events or circumstances warrant such a review. We make significant assumptions and estimates about the extent and timing of future cash flows, growth rates and discount rates. The cash flows are estimated over a significant future period of time, which makes those estimates and assumptions subject to a high degree of uncertainty. We also utilize market valuation models which require us to make certain assumptions and estimates regarding the applicability of those models to our assets and businesses. We use our internal forecasts, which we update quarterly, to make our cash flow projections. These forecasts are based on our knowledge of our customers' production forecasts, our assessment of market growth rates, net new business, material and labor cost estimates, cost recovery agreements with customers and our estimate of savings expected from our restructuring activities.

The most likely factors that would significantly impact our forecasts are changes in customer production levels and loss of significant portions of our business. We believe that the assumptions and estimates used in the assessment of the goodwill and other indefinite-lived intangible assets as of October 31, 2016 were reasonable. Aside from the goodwill recorded in 2016 in connection with the Magnum and SJT Forjaria Ltda. acquisitions, we believe there is a significant excess of fair value over the carrying value of these assets at December 31, 2016.

Long-lived assets with definite lives — We perform impairment assessments on our property, plant and equipment and our definite-lived intangible assets whenever events and circumstances indicate that the carrying amounts of the assets may not be recoverable. When indications are present, we compare the estimated future undiscounted net cash flows of the operations to which the assets relate to the carrying amounts of such assets. We utilize the cash flow projections discussed above for property, plant and equipment and amortizable intangibles. We group the assets and liabilities at the lowest level for which identifiable cash flows are largely independent of the cash flows of other assets and liabilities and evaluate the asset group against the undiscounted future cash flows using the life of the primary assets. If the carrying amounts of the long-lived assets are not recoverable from future cash flows and exceed their fair value, an impairment loss is recognized to reduce the carrying amounts of the long-lived assets to their fair value. Fair value is determined based on discounted cash flows, third party appraisals or other methods that provide appropriate estimates of value. Determining whether a triggering event has occurred, performing the impairment analysis and estimating the fair value of the assets require numerous assumptions and a considerable amount of management judgment.

Investments in affiliates — At both December 31, 2016 and 2015, we had aggregate investments in affiliates of \$150. We monitor our investments in affiliates for indicators of other-than-temporary declines in value on an ongoing basis in accordance with GAAP. If we determine that an other-than temporary decline in value has occurred, we recognize an impairment loss, which is measured as the difference between the recorded carrying value and the fair value of the investment. Fair value is generally determined using the discounted cash flows (an income approach) or guideline public company (a market approach) methods. A deterioration in industry conditions and decline in the operating results of our non-consolidated affiliates could result in the impairment of our investments. During 2015, we recorded a \$39 impairment charge related to our investment in DDAC. See Note 20 to our consolidated financial statements in Item 8 for additional information.

Warranty — Costs related to product warranty obligations are estimated and accrued at the time of sale with a charge against cost of sales. Warranty accruals are evaluated and adjusted as appropriate based on occurrences giving rise to potential warranty exposure and associated experience. Warranty accruals and adjustments require significant judgment, including a determination of our involvement in the matter giving rise to the potential warranty issue or claim, our contractual requirements, estimates of units requiring repair and estimates of repair costs. If actual experience differs from expectations, our financial position and results of operations in future periods could be affected.

Contingency reserves — We have numerous other loss exposures, such as product liability and warranty claims and matters involving litigation. Establishing loss reserves for these matters requires the use of estimates and judgment in regards to risk of

exposure and ultimate liability. Product liability and warranty claims are generally estimated based on historical experience and the estimated costs associated with specific events giving rise to potential field campaigns or recalls. In the case of legal contingencies, estimates are made of the likely outcome of legal proceedings and potential exposure where reasonably determinable based on the information presently known to us. New information and developments in these matters could materially affect our recorded liabilities.

Item 7A. Quantitative and Qualitative Disclosures about Market Risk

We are exposed to fluctuations in foreign currency exchange rates, commodity prices for products we use in our manufacturing and interest rates. To reduce our exposure to these risks, we maintain risk management controls to monitor these risks and take appropriate actions to attempt to mitigate such forms of market risks.

Foreign currency exchange rate risk — Our foreign currency exposures are primarily associated with intercompany and third party sales and purchase transactions, cross-currency intercompany loans and external debt. We use forward contracts to manage our foreign currency exchange rate risk associated with a portion of our forecasted foreign currency-denominated sales and purchase transactions and with certain foreign currency-denominated assets and liabilities. We also use currency swaps, including a fixed-to-fixed cross-currency interest rate swap, to manage foreign currency exchange rate risk associated with our intercompany loans and external debt. Foreign currency exposures are reviewed quarterly, at a minimum, and natural offsets are considered prior to entering into derivative instruments.

Changes in the fair value of derivative instruments treated as cash flow hedges are reported in OCI. Deferred gains and losses are reclassified to earnings in the same period in which the underlying transactions affect earnings. Specifically, with respect to the cross-currency interest rate swap, to the extent we recognize an exchange gain or loss on the underlying external debt, we reclassify an offsetting portion from OCI to earnings in the same period.

Changes in the fair value of derivative instruments not treated as cash flow hedges are recognized in earnings in the period in which those changes occur. Changes in the fair value of derivative instruments associated with product-related transactions are recorded in cost of sales, while those associated with non-product transactions are recorded in Other income, net. See Note 14 to our consolidated financial statements in Item 8.

The following table summarizes the sensitivity of the fair value of our derivative instruments, including forward contracts and currency swaps, at December 31, 2016 to a 10% change in foreign exchange rates (versus the currencies presented).

	10% Increase in Rates Gain (Loss)	10% Decrease in Rates Gain (Loss)
<i>Foreign currency rate sensitivity:</i>		
Forward contracts and currency swaps		
Long U.S. dollars	\$ (13)	\$ 13
Short U.S. dollars	\$ 51	\$ (51)
Long euros (short other than U.S. dollar)	\$ (5)	\$ 5
Short euros (long other than U.S. dollar)	\$ 2	\$ (2)
Other, net	\$ (1)	\$ 1

At December 31, 2016, of the \$714 total notional amount of foreign currency derivatives, approximately 50% represents a fixed-to-fixed cross-currency interest rate swap associated with recorded external debt, 30% represents currency swaps associated with recorded intercompany loans and the remaining 20% primarily represents forward contracts associated with our forecasted foreign currency-denominated sales and purchase transactions. Except where not necessary due to the existence of natural hedges, our foreign currency-denominated intercompany loans are nearly fully hedged, eliminating virtually all currency exposure on those loans. Our foreign currency-denominated external debt is fully hedged by our fixed-to-fixed cross-currency interest rate swap at December 31, 2016. At December 31, 2015, the total notional amount of our currency derivative portfolio was \$431 and included currency swaps and forward contracts associated with certain foreign currency-denominated intercompany loans and forecasted sales and purchase transactions.

We are also subject to currency translation risk with respect to our net investments in foreign subsidiaries and, as deemed appropriate, we hedge such risk. At December 31, 2016, no net investment hedge contracts remain outstanding.

Commodity price risk — We do not utilize derivative contracts to manage commodity price risk. Our overall strategy is to pass through commodity risk to our customers in our pricing agreements. A substantial portion of our customer agreements include contractual provisions for the pass-through of commodity price movements. In instances where the risk is not covered contractually, we have generally been able to adjust customer pricing to recover commodity cost increases.

Interest rate risk — Our long-term debt portfolio consists mostly of fixed-rate instruments. On occasion we enter into interest rate swaps to convert fixed-rate debt to floating-rate debt. As described in Note 14 to the consolidated financial statements, we entered into a fixed-to-floating interest rate swap during 2015 but terminated that swap prior to the end of 2015. At December 31, 2016, we do not hold any fixed-to-floating interest rate swaps. Our fixed-to-fixed cross-currency interest rate swap remains outstanding at December 31, 2016 and hedges the currency risk of our 6.50% U.S. dollar-denominated 2026 Notes by economically converting them to a 5.14% euro-denominated instrument.

Item 8. Financial Statements and Supplementary Data

Report of Independent Registered Public Accounting Firm

To the Board of Directors and Shareholders of Dana Incorporated

In our opinion, the consolidated financial statements listed in the index appearing under Item 15(a)(1) present fairly, in all material respects, the financial position of Dana Incorporated and its subsidiaries at December 31, 2016 and December 31, 2015, and the results of their operations and their cash flows for each of the three years in the period ended December 31, 2016 in conformity with accounting principles generally accepted in the United States of America. In addition, in our opinion, the financial statement schedule listed in the index appearing under Item 15(a)(3) presents fairly, in all material respects, the information set forth therein when read in conjunction with the related consolidated financial statements. Also in our opinion, the Company maintained, in all material respects, effective internal control over financial reporting as of December 31, 2016, based on criteria established in *Internal Control - Integrated Framework 2013* issued by the Committee of Sponsoring Organizations of the Treadway Commission (COSO). The Company's management is responsible for these financial statements and financial statement schedule, for maintaining effective internal control over financial reporting and for its assessment of the effectiveness of internal control over financial reporting, included in Management's Report on Internal Control over Financial Reporting under Item 9A. Our responsibility is to express opinions on these financial statements and on the Company's internal control over financial reporting based on our integrated audits. We conducted our audits in accordance with the standards of the Public Company Accounting Oversight Board (United States). Those standards require that we plan and perform the audits to obtain reasonable assurance about whether the financial statements are free of material misstatement and whether effective internal control over financial reporting was maintained in all material respects. Our audits of the financial statements included examining, on a test basis, evidence supporting the amounts and disclosures in the financial statements, assessing the accounting principles used and significant estimates made by management, and evaluating the overall financial statement presentation. Our audit of internal control over financial reporting included obtaining an understanding of internal control over financial reporting, assessing the risk that a material weakness exists, and testing and evaluating the design and operating effectiveness of internal control based on the assessed risk. Our audits also included performing such other procedures as we considered necessary in the circumstances. We believe that our audits provide a reasonable basis for our opinions.

As discussed in Note 1 to the consolidated financial statements, the Company changed the manner in which it classifies deferred taxes in 2016.

A company's internal control over financial reporting is a process designed to provide reasonable assurance regarding the reliability of financial reporting and the preparation of financial statements for external purposes in accordance with generally accepted accounting principles. A company's internal control over financial reporting includes those policies and procedures that (i) pertain to the maintenance of records that, in reasonable detail, accurately and fairly reflect the transactions and dispositions of the assets of the company; (ii) provide reasonable assurance that transactions are recorded as necessary to permit preparation of financial statements in accordance with generally accepted accounting principles, and that receipts and expenditures of the company are being made only in accordance with authorizations of management and directors of the company; and (iii) provide reasonable assurance regarding prevention or timely detection of unauthorized acquisition, use, or disposition of the company's assets that could have a material effect on the financial statements.

Because of its inherent limitations, internal control over financial reporting may not prevent or detect misstatements. Also, projections of any evaluation of effectiveness to future periods are subject to the risk that controls may become inadequate because of changes in conditions, or that the degree of compliance with the policies or procedures may deteriorate.

As described in Item 9A. Management's report on internal control over financial reporting, management has excluded SJT Forjaria Ltda. from its assessment of internal control over financial reporting as of December 31, 2016 because it was acquired by the Company in a purchase business combination during 2016. We have also excluded SJT Forjaria Ltda. from our audit of internal control over financial reporting. SJT Forjaria Ltda. is a wholly-owned subsidiary whose total assets and total revenues represent less than 2% and 0%, respectively, of the related consolidated financial statement amounts as of and for the year ended December 31, 2016.

/s/ PricewaterhouseCoopers LLP

Toledo, Ohio

February 10, 2017

Dana Incorporated
Consolidated Statement of Operations
(In millions, except per share amounts)

	2016	2015	2014
Net sales	\$ 5,826	\$ 6,060	\$ 6,617
Costs and expenses			
Cost of sales	4,982	5,211	5,672
Selling, general and administrative expenses	406	391	411
Amortization of intangibles	8	14	42
Restructuring charges, net	36	15	21
Loss on sale of subsidiaries	(80)		
Impairment of long-lived assets		(36)	
Loss on disposal group held for sale			(80)
Pension settlement charges			(42)
Other income, net	18	1	33
Income before interest and income taxes	332	394	382
Loss on extinguishment of debt	(17)	(2)	(19)
Interest income	13	13	15
Interest expense	113	113	118
Income from continuing operations before income taxes	215	292	260
Income tax expense (benefit)	(424)	82	(70)
Equity in earnings (losses) of affiliates	14	(34)	13
Income from continuing operations	653	176	343
Income (loss) from discontinued operations		4	(15)
Net income	653	180	328
Less: Noncontrolling interests net income	13	21	9
Net income attributable to the parent company	640	159	319
Preferred stock dividend requirements			7
Net income available to common stockholders	<u>\$ 640</u>	<u>\$ 159</u>	<u>\$ 312</u>
Net income per share available to parent company common stockholders:			
Basic:			
Income from continuing operations	\$ 4.38	\$ 0.98	\$ 2.07
Income (loss) from discontinued operations	\$ —	\$ 0.02	\$ (0.10)
Net income	\$ 4.38	\$ 1.00	\$ 1.97
Diluted:			
Income from continuing operations	\$ 4.36	\$ 0.97	\$ 1.93
Income (loss) from discontinued operations	\$ —	\$ 0.02	\$ (0.09)
Net income	\$ 4.36	\$ 0.99	\$ 1.84
Weighted-average common shares outstanding			
Basic	146.0	159.0	158.0
Diluted	146.8	160.0	173.5
Dividends declared per common share	\$ 0.24	\$ 0.23	\$ 0.20

The accompanying notes are an integral part of the consolidated financial statements.

Dana Incorporated
Consolidated Statement of Comprehensive Income
(In millions)

	2016	2015	2014
Net income	\$ 653	\$ 180	\$ 328
Less: Noncontrolling interests net income	13	21	9
Net income attributable to the parent company	<u>640</u>	<u>159</u>	<u>319</u>
Other comprehensive income (loss) attributable to the parent company, net of tax:			
Currency translation adjustments	(38)	(181)	(185)
Hedging gains and losses	(30)	5	(9)
Investment and other gains and losses	(2)	(3)	2
Defined benefit plans	(40)	2	(78)
Other comprehensive loss attributable to the parent company	<u>(110)</u>	<u>(177)</u>	<u>(270)</u>
Other comprehensive income (loss) attributable to noncontrolling interests, net of tax:			
Currency translation adjustments	(3)	(5)	(4)
Defined benefit plans	1	1	
Other comprehensive loss attributable to noncontrolling interests	<u>(2)</u>	<u>(4)</u>	<u>(4)</u>
Total comprehensive income (loss) attributable to the parent company	530	(18)	49
Total comprehensive income attributable to noncontrolling interests	11	17	5
Total comprehensive income (loss)	<u>\$ 541</u>	<u>\$ (1)</u>	<u>\$ 54</u>

The accompanying notes are an integral part of the consolidated financial statements.

Dana Incorporated
Consolidated Balance Sheet
(In millions, except share and per share amounts)

	2016	2015
Assets		
Current assets		
Cash and cash equivalents	\$ 707	\$ 791
Marketable securities	30	162
Accounts receivable		
Trade, less allowance for doubtful accounts of \$6 in 2016 and \$5 in 2015	721	673
Other	110	115
Inventories	638	625
Other current assets	78	65
Total current assets	2,284	2,431
Goodwill	90	80
Intangibles	109	102
Deferred tax assets	588	96
Other noncurrent assets	226	275
Investments in affiliates	150	150
Property, plant and equipment, net	1,413	1,167
Total assets	\$ 4,860	\$ 4,301
Liabilities and equity		
Current liabilities		
Notes payable, including current portion of long-term debt	\$ 69	\$ 22
Accounts payable	819	712
Accrued payroll and employee benefits	149	145
Taxes on income	15	17
Other accrued liabilities	201	193
Total current liabilities	1,253	1,089
Long-term debt, less debt issuance costs of \$21 in 2016 and 2015	1,595	1,553
Pension and postretirement obligations	565	521
Other noncurrent liabilities	205	307
Total liabilities	3,618	3,470
Commitments and contingencies (Note 15)		
Parent company stockholders' equity		
Preferred stock, 50,000,000 shares authorized, \$0.01 par value, no shares outstanding	—	—
Common stock, 450,000,000 shares authorized, \$0.01 par value, 143,938,280 and 150,068,040 shares outstanding	2	2
Additional paid-in capital	2,327	2,311
Retained earnings (accumulated deficit)	195	(410)
Treasury stock, at cost (6,812,784 and 23,963 shares)	(83)	(1)
Accumulated other comprehensive loss	(1,284)	(1,174)
Total parent company stockholders' equity	1,157	728
Noncontrolling interests	85	103
Total equity	1,242	831
Total liabilities and equity	\$ 4,860	\$ 4,301

The accompanying notes are an integral part of the consolidated financial statements.

Dana Incorporated
Consolidated Statement of Cash Flows
(In millions)

	2016	2015	2014
Operating activities			
Net income	\$ 653	\$ 180	\$ 328
Depreciation	173	158	164
Amortization of intangibles	9	16	49
Amortization of deferred financing charges	5	5	5
Call premium on senior notes	12	2	15
Write-off of deferred financing costs	5	1	4
Earnings of affiliates, net of dividends received	(3)	12	4
Stock compensation expense	17	14	16
Deferred income taxes	(480)	(10)	(199)
Pension expense (contributions), net	(16)	(18)	30
Loss on sale of subsidiaries	80		
Impairment of long-lived assets		36	
Impairment of equity affiliate		39	
Loss on disposal group held for sale			78
Interest payment received on payment-in-kind note receivable			40
Change in working capital	(51)	(41)	(39)
Change in other noncurrent assets and liabilities	(1)	(7)	(16)
Other, net	(19)	19	31
Net cash provided by operating activities	384	406	510
Investing activities			
Purchases of property, plant and equipment	(322)	(260)	(234)
Acquisition of businesses	(78)		
Principal payment received on payment-in-kind note receivable			35
Purchases of marketable securities	(93)	(43)	(84)
Proceeds from sales of marketable securities	47	17	7
Proceeds from maturities of marketable securities	47	30	21
Proceeds from sale of subsidiaries	34		9
Other		(2)	
Net cash used in investing activities	(365)	(258)	(246)
Financing activities			
Net change in short-term debt	9	(5)	(8)
Proceeds from letters of credit			12
Repayment of letters of credit		(4)	(8)
Proceeds from long-term debt	441	18	448
Repayment of long-term debt	(382)	(60)	(372)
Call premium on senior notes	(12)	(2)	(15)
Deferred financing payments	(11)		(7)
Dividends paid to preferred stockholders			(8)
Dividends paid to common stockholders	(35)	(37)	(32)
Distributions to noncontrolling interests	(17)	(9)	(9)
Repurchases of common stock	(81)	(311)	(260)
Other		7	5
Net cash used in financing activities	(88)	(403)	(254)
Net increase (decrease) in cash and cash equivalents	(69)	(255)	10
Cash and cash equivalents - beginning of period	791	1,121	1,256
Effect of exchange rate changes on cash balances	(15)	(75)	(118)
Less: cash of disposal group held for sale			(27)
Cash and cash equivalents - end of period	\$ 707	\$ 791	\$ 1,121

The accompanying notes are an integral part of the consolidated financial statements.

Dana Incorporated
Consolidated Statement of Stockholders' Equity
(In millions)

	Parent Company Stockholders'								
	Preferred Stock	Common Stock	Additional Paid-In Capital	Retained Earnings (Accumulated Deficit)	Treasury Stock	Accumulated Other Compre- hensive Loss	Parent Company Stockholders' Equity	Non- controlling Interests	Total Equity
Balance, December 31, 2013	\$ 372	\$ 2	\$ 2,840	\$ (812)	\$ (366)	\$ (727)	\$ 1,309	\$ 104	\$ 1,413
Net income				319			319	9	328
Other comprehensive loss						(270)	(270)	(4)	(274)
Preferred stock dividends (\$3.00 per share)				(7)			(7)		(7)
Common stock dividends (\$0.20 per share)				(32)			(32)		(32)
Distributions to noncontrolling interests							—	(9)	(9)
Share conversion	(372)		74		301		3		3
Common stock share repurchases					(260)		(260)		(260)
Retire treasury shares			(294)		294		—		—
Stock compensation			20				20		20
Stock withheld for employees taxes					(2)		(2)		(2)
Balance, December 31, 2014	—	2	2,640	(532)	(33)	(997)	1,080	100	1,180
Net income				159			159	21	180
Other comprehensive loss						(177)	(177)	(4)	(181)
Common stock dividends (\$0.23 per share)				(37)			(37)		(37)
Distributions to noncontrolling interests							—	(9)	(9)
Derecognition of noncontrolling interest							—	(5)	(5)
Common stock share repurchases					(311)		(311)		(311)
Retire treasury shares			(346)		346		—		—
Stock compensation			17				17		17
Stock withheld for employees taxes					(3)		(3)		(3)
Balance, December 31, 2015	—	2	2,311	(410)	(1)	(1,174)	728	103	831
Net income				640			640	13	653
Other comprehensive loss						(110)	(110)	(2)	(112)
Common stock dividends (\$0.24 per share)				(35)			(35)		(35)
Distributions to noncontrolling interests							—	(17)	(17)
Derecognition of noncontrolling interest							—	(12)	(12)
Common stock share repurchases					(81)		(81)		(81)
Stock compensation			16				16		16
Stock withheld for employees taxes					(1)		(1)		(1)
Balance, December 31, 2016	\$ —	\$ 2	\$ 2,327	\$ 195	\$ (83)	\$ (1,284)	\$ 1,157	\$ 85	\$ 1,242

The accompanying notes are an integral part of the consolidated financial statements.

Dana Incorporated
Index to Notes to the Consolidated
Financial Statements

	Page
1. Organization and Summary of Significant Accounting Policies	48
2. Acquisitions	55
3. Disposal Groups and Impairment of Long-Lived Assets	57
4. Goodwill and Other Intangible Assets	58
5. Restructuring of Operations	60
6. Inventories	61
7. Supplemental Balance Sheet and Cash Flow Information	62
8. Stockholders' Equity	63
9. Earnings per Share	65
10. Stock Compensation	65
11. Pension and Postretirement Benefit Plans	67
12. Marketable Securities	75
13. Financing Agreements	75
14. Fair Value Measurements and Derivatives	77
15. Commitments and Contingencies	81
16. Warranty Obligations	82
17. Income Taxes	82
18. Other Income, Net	86
19. Segments, Geographical Area and Major Customer Information	87
20. Equity Affiliates	90

Notes to the Consolidated Financial Statements
(In millions, except share and per share amounts)

Note 1. Organization and Summary of Significant Accounting Policies

General

Dana Incorporated (Dana) is headquartered in Maumee, Ohio and was incorporated in Delaware in 2007. As a global provider of high technology driveline (axles, driveshafts and transmissions), sealing and thermal-management products our customer base includes virtually every major vehicle manufacturer in the global light vehicle, medium/heavy vehicle and off-highway markets.

The terms "Dana," "we," "our" and "us," when used in this report are references to Dana. These references include the subsidiaries of Dana unless otherwise indicated or the context requires otherwise.

Summary of significant accounting policies

Basis of presentation — Our consolidated financial statements include the accounts of all subsidiaries where we hold a controlling financial interest. The ownership interests in subsidiaries held by third parties are presented in the consolidated balance sheet within equity, but separate from the parent's equity, as noncontrolling interests. All significant intercompany balances and transactions have been eliminated in consolidation. Investments in 20 to 50%-owned affiliates, which are not required to be consolidated, are generally accounted for under the equity method. Equity in earnings of these investments is presented separately in the consolidated statement of operations, net of tax. Investments in less-than-20%-owned companies are generally included in the financial statements at the cost of our investment. Dividends, royalties and fees from these cost basis affiliates are recorded in income when received.

We have added the subtotal "Income before interest and income taxes" to our consolidated statement of operations. Interest income, interest expense and loss on extinguishment of debt are presented below the new subtotal but above the subtotal "Income from continuing operations before income taxes." Interest income was previously included in Other income, net. Prior year amounts have been reclassified to conform to the 2016 presentation.

In the first quarter of 2015, we identified an error attributable to the calculation of noncontrolling interests net income of a subsidiary. The error resulted in an understatement of noncontrolling equity and noncontrolling interests net income and a corresponding overstatement of parent company stockholders' equity and net income attributable to the parent company in prior periods. Based on our assessments of qualitative and quantitative factors, the error and related impacts were not considered material to the financial statements of the prior periods to which they relate. The error was corrected in March 2015 by increasing noncontrolling interests net income by \$9. The correction was not considered material to our 2015 net income attributable to the parent company.

In the third quarter of 2014, we identified an error that had resulted in a \$10 overstatement of the values assigned to our defined benefit pension obligation and goodwill when we applied fresh start accounting in 2008. These overstatements affected pension expense, other comprehensive income and impairment of goodwill in subsequent periods. Based on our assessments of qualitative and quantitative factors, the error and the related impacts were not considered material to the financial statements for the quarter ended September 30, 2014 or the prior periods to which they relate. The error was corrected in September 2014 by decreasing pension and postretirement obligations by \$17, decreasing accumulated other comprehensive loss by \$3 to eliminate the related impacts on unrecognized pension expense and currency translation adjustments, decreasing goodwill by \$3, decreasing cost of sales by \$5 to reverse the cumulative impact on pension expense and crediting Other income, net for \$6 to effectively reverse a portion of the goodwill impairment recognized in 2008.

Held for sale — We classify long-lived assets or disposal groups as held for sale in the period: management commits to a plan to sell; the long-lived asset or disposal group is available for immediate sale in its present condition subject only to terms that are usual and customary for sales of such long-lived assets or disposal groups; an active program to locate a buyer and other actions required to complete the plan to sell have been initiated; the sale is probable within one year; the asset or disposal group is being actively marketed for sale at a price that is reasonable in relation to its current fair value; and it is unlikely that significant changes to the plan will be made or that the plan will be withdrawn. Long-lived assets and disposal groups classified as held for sale are measured at the lower of their carrying amount or fair value less costs to sell.

Discontinued operations — Prior to January 1, 2015, we would classify a business component that had been disposed of or classified as held for sale as discontinued operations if the cash flows of the component were eliminated from our ongoing

operations and we no longer had any significant continuing involvement in or with the component. The results of operations of our discontinued operations, including any gains or losses on disposition, were aggregated and presented on one line in the income statement. See *Recently adopted accounting pronouncements* in this note for a description of the current practice and Note 3 for additional information regarding our discontinued operations.

Estimates — Our consolidated financial statements are prepared in accordance with accounting principles generally accepted in the United States (GAAP), which require the use of estimates, judgments and assumptions that affect the amounts reported in the consolidated financial statements and accompanying disclosures. We believe our assumptions and estimates are reasonable and appropriate. However, due to the inherent uncertainties in making estimates, actual results could differ from those estimates.

Fair value measurements — A three-tier fair value hierarchy is used to prioritize the inputs to valuation techniques used to measure fair value. The three levels of inputs are as follows: Level 1 inputs (highest priority) include unadjusted quoted prices in active markets for identical instruments. Level 2 inputs include quoted prices for similar instruments that are observable either directly or indirectly. Level 3 inputs (lowest priority) include unobservable inputs in which there is little or no market data, which require management to develop its own assumptions. Classification within the hierarchy is determined based on the lowest level input that is significant to the fair value measurement.

The inputs we use in our valuation techniques include market data or assumptions that we believe market participants would use in pricing an asset or liability, including assumptions about risk when appropriate. Our valuation techniques include a combination of observable and unobservable inputs. When available, we use quoted market prices to determine the fair value (market approach). In the absence of active markets for the identical assets or liabilities, such measurements involve developing assumptions based on market observable data and, in the absence of such data, we consider the amount and timing of estimated future cash flows and assumed discount rates reflecting varying degrees of credit risk that is consistent with what market participants would use in a hypothetical transaction that occurs at the measurement date (income approach). Fair values may not represent actual values of the financial instruments that could be realized as of the balance sheet date or that will be realized in the future.

Cash and cash equivalents — Cash and cash equivalents includes cash on hand, demand deposits and short-term cash investments that are highly liquid in nature and have maturities of three months or less when purchased.

Marketable securities — Our investments in marketable securities reported in the accompanying balance sheet are classified as available for sale and carried at fair value. Unrealized gains and losses are recorded in accumulated other comprehensive income (loss) (AOCI) until realized. Realized gains and losses are recorded using the specific identification method.

Inventories — Inventories are valued at the lower of cost or market. Cost is determined using the average or first-in, first-out (FIFO) cost method.

Property, plant and equipment — As a result of our adoption of fresh start accounting on February 1, 2008, property, plant and equipment was stated at fair value with useful lives ranging from two to thirty years. Useful lives of newly acquired assets are generally twenty to thirty years for buildings and building improvements, five to ten years for machinery and equipment, three to five years for tooling and office equipment and three to ten years for furniture and fixtures. Depreciation is recognized over the estimated useful lives using primarily the straight-line method for financial reporting purposes and accelerated depreciation methods for federal income tax purposes. If assets are impaired, their value is reduced via an increase in accumulated depreciation.

Pre-production costs related to long-term supply arrangements — The costs of tooling used to make products sold under long-term supply arrangements are capitalized as part of property, plant and equipment and amortized over their useful lives if we own the tooling or if we fund the purchase but our customer owns the tooling and grants us the irrevocable right to use the tooling over the contract period. If we have a contractual right to bill our customers, costs incurred in connection with the design and development of tooling are carried as a component of other accounts receivable until invoiced. Design and development costs related to customer products are deferred if we have an agreement to collect such costs from the customer; otherwise, they are expensed when incurred. At December 31, 2016, the machinery and equipment component of property, plant and equipment includes \$9 of our tooling related to long-term supply arrangements, while trade and other accounts receivable includes \$32 of costs related to tooling that we have a contractual right to collect from our customers.

Goodwill — We test goodwill for impairment annually as of October 31 and more frequently if events occur or circumstances change that would warrant an interim review. Goodwill impairment testing is performed at the reporting unit level, which is our operating segment. We estimate the fair value of the reporting unit in the first step using various valuation methodologies,

including projected future cash flows and multiples of current earnings. If the estimated fair value of the reporting unit exceeds its carrying value, the goodwill is considered not impaired. If the carrying value of the reporting unit exceeds its estimated fair value, then the second step of the test would be required to determine the implied fair value of the goodwill and any resulting impairment. The vast majority of our goodwill is assigned to our Off-Highway segment. The estimated fair value of our Off-Highway reporting unit was significantly greater than its carrying value at October 31, 2016. No impairment of goodwill occurred during the three years ended December 31, 2016.

Intangible assets — Intangible assets include the value of core technology, trademarks and trade names, customer relationships and intangible assets used in research and development activities. Core technology and customer relationships have definite lives while intangible assets used in research and development activities and substantially all of our trademarks and trade names have indefinite lives. Definite-lived intangible assets are amortized over their useful life using the straight-line method of amortization and are periodically reviewed for impairment indicators. Amortization of core technology is charged to cost of sales. Amortization of trademarks and trade names and customer relationships is charged to amortization of intangibles. Intangible assets used in research and development activities have an indefinite life until completion of the associated research and development efforts. Upon completion of development, the assets are amortized over their useful life; if the project is abandoned, the assets are written off immediately. Indefinite-lived intangible assets are tested for impairment annually and more frequently if impairment indicators exist. See Notes 3 and 4 for more information about intangible assets.

Investments in affiliates — Investments in affiliates include investments accounted for under the equity and cost methods. We monitor our investments in affiliates for indicators of other-than-temporary declines in value on an ongoing basis in accordance with GAAP. Indicators include, but are not limited to, current economic and market conditions, operating performance of the affiliate, including current earnings trends and undiscounted cash flows, and other affiliate-specific information. If we determine that an other-than-temporary decline in value has occurred, we recognize an impairment loss, which is measured as the excess of the investment's recorded carrying value over its fair value. The fair value determination, particularly for investments in privately-held companies, requires significant judgment to determine appropriate estimates and assumptions. Changes in these estimates and assumptions could affect the calculation of the fair value of the investments and determination of whether any identified impairment is other than temporary. See Note 20 for further information about our investment in affiliates.

Tangible asset impairments — We review the carrying value of amortizable long-lived assets for impairment whenever events or changes in circumstances indicate that the carrying amount of an asset may not be recoverable. Recoverability of assets to be held and used is measured by a comparison of the carrying amount of the assets to the undiscounted future net cash flows expected to be generated by the assets. If such assets are considered to be impaired, the impairment to be recognized is measured by the amount by which the carrying amount of the assets exceeds their fair value. Assets to be disposed of are reported at the lower of their carrying amount or fair value less costs to sell and are no longer depreciated.

Other long-lived assets and liabilities — We discount our workers' compensation and asbestos liabilities and the related amounts recoverable from insurers by applying blended risk-free rates that are appropriate for the duration of the projected cash flows. The use of risk-free rates is considered appropriate given that other risks affecting the volume and timing of payments have been considered in developing the probability-weighted projected cash flows. The blended risk-free rates are revised annually to consider incremental cash flow projections.

Financial instruments — The carrying values of cash and cash equivalents, trade receivables and short-term borrowings approximate fair value. Notes receivable are carried at fair value, which considers the contractual call or selling price, if applicable. Borrowings under our credit facilities are carried at historical cost and adjusted for principal payments and foreign currency fluctuations.

Derivatives — Foreign currency forward contracts and currency swaps are carried at fair value. We enter into these contracts to manage our exposure to the impact of currency fluctuations on certain foreign currency-denominated assets and liabilities and on a portion of our forecasted purchase and sale transactions. On occasion, we also enter into net investment hedges to protect the translated U.S. dollar value of our investment in certain foreign subsidiaries.

Changes in the fair value of currency-related contracts treated as cash flow hedges are deferred and included as a component of other comprehensive income (loss) (OCI) to the extent the contracts remain effective and the associated forecasted transactions remain probable. Effectiveness is measured by using regression analysis to determine the degree of correlation between the change in the fair value of the derivative instrument and the change in the associated foreign currency exchange rates. Deferred gains and losses are reclassified to Other income, net in the same periods in which the underlying transactions affect earnings.

Changes in the fair value of contracts not treated as cash flow hedges or as net investment hedges are recognized in Other income, net in the period in which those changes occur. Changes in the fair value of contracts treated as net investment hedges are recorded in the cumulative translation adjustment (CTA) component of OCI. Amounts recorded in CTA are deferred until such time as the investment in the associated subsidiary is substantially liquidated.

We may also use interest rate swaps to manage exposure to fluctuations in interest rates and to adjust the mix of our fixed-rate and variable-rate debt. With our current portfolio of fixed-rate debt, we occasionally execute a fixed-to-floating interest rate swap which serves to convert our fixed-rate debt to variable-rate debt. As a fair value hedge of the underlying debt, changes in the fair values of the swap and the underlying debt are recorded in interest expense. We do not use derivatives for trading or speculative purposes and we do not hedge all of our exposures.

Warranty — Costs related to product warranty obligations are estimated and accrued at the time of sale with a charge against cost of sales. Warranty accruals are evaluated and adjusted as appropriate based on occurrences giving rise to potential warranty exposure and associated experience. Warranty accruals and adjustments require significant judgment, including a determination of our involvement in the matter giving rise to the potential warranty issue or claim, our contractual requirements, estimates of units requiring repair and estimates of repair costs.

Environmental compliance and remediation — Environmental expenditures that relate to current operations are expensed or capitalized as appropriate. Expenditures that relate to existing conditions caused by past operations that do not contribute to our current or future revenue generation are expensed. Liabilities are recorded when environmental assessments and/or remedial efforts are probable and the costs can be reasonably estimated. We consider the most probable method of remediation, current laws and regulations and existing technology in determining our environmental liabilities.

Pension and other postretirement defined benefits — Net pension and postretirement benefits expenses and the related liabilities are determined on an actuarial basis. These plan expenses and obligations are dependent on management's assumptions developed in consultation with our actuaries. We review these actuarial assumptions at least annually and make modifications when appropriate. With the input of independent actuaries and other relevant sources, we believe that the assumptions used are reasonable; however, changes in these assumptions, or experience different from that assumed, could impact our financial position, results of operations or cash flows.

Postemployment benefits — Costs to provide postemployment benefits to employees are accounted for on an accrual basis. Obligations that do not accumulate or vest are recorded when payment is probable and the amount can be reasonably estimated. For those obligations that accumulate or vest and the amount can be reasonably estimated, expense and the related liability are recorded as service is rendered.

Equity-based compensation — We measure compensation cost arising from the grant of share-based awards to employees at fair value. We recognize such costs in income over the period during which the requisite service is provided, usually the vesting period. The grant date fair value is estimated using valuation techniques that require the input of management estimates and assumptions. We believe that the assumptions used are reasonable; however, due to inherent uncertainties in making estimates, if other assumptions had been used, it could have impacted our financial position and results of operations.

Revenue recognition — Sales are recognized when products are shipped and risk of loss has transferred to the customer. We accrue for warranty costs, sales returns and other allowances based on experience and other relevant factors when sales are recognized. Adjustments are made as new information becomes available. Shipping and handling fees billed to customers are included in sales, while costs of shipping and handling are included in cost of sales. Taxes collected from customers are excluded from revenues and credited directly to obligations to the appropriate governmental agencies.

Foreign currency translation — The financial statements of subsidiaries and equity affiliates outside the U.S. located in non-highly inflationary economies are measured using the currency of the primary economic environment in which they operate as the functional currency, which typically is the local currency. Transaction gains and losses resulting from translating assets and liabilities of these entities into the functional currency are included in Other income, net or in equity in earnings of affiliates. When translating into U.S. dollars, income and expense items are translated at average monthly rates of exchange, while assets and liabilities are translated at the rates of exchange at the balance sheet date. Translation adjustments resulting from translating the functional currency into U.S. dollars are deferred and included as a component of AOCI in stockholders' equity. For operations whose functional currency is the U.S. dollar, nonmonetary assets are translated into U.S. dollars at historical exchange rates and monetary assets are translated at current exchange rates.

Because the economy in Venezuela was considered highly inflationary under GAAP, we remeasured the financial statements of our subsidiaries in Venezuela through the January 2015 date of divestiture as if their functional currency was the U.S. dollar.

Prior to 2014, the Venezuelan government through its Commission for the Administration of Foreign Exchange (CADIVI) maintained a fixed official exchange rate. In March 2013, the Venezuelan government announced the creation of the Complementary System of Foreign Currency Administration (SICAD), a supplementary currency auction system regulated by the Central Bank of Venezuela for purchases of U.S. dollars by certain eligible importers. During 2013, our subsidiaries in Venezuela were not eligible to utilize SICAD and therefore we continued to use the official exchange rate to remeasure the financial statements of our subsidiaries in Venezuela.

In the first quarter of 2014, the Venezuelan government transferred the administration of the official exchange rate to the National Center of Foreign Commerce (CENCOEX) and indicated that the official exchange rate would be increasingly reserved only for the settlement of U.S. dollar-denominated obligations related to purchases of “essential goods and services.” In addition, the Venezuelan government expanded the entities and transactions that would be eligible to use SICAD. Transactions eligible for SICAD included foreign investments and payments of royalties. Also during the first quarter of 2014, the Venezuelan government announced the creation of SICAD 2, a market-based exchange mechanism regulated by the Central Bank of Venezuela. SICAD 2 could be used by all companies incorporated or domiciled in Venezuela who want to obtain U.S. dollars for any purpose.

With the expansion of SICAD and the formation of SICAD 2 there was uncertainty surrounding transactions that CENCOEX would allow to be transacted at the official exchange rate. In consultation with legal counsel we determined that the SICAD rate, which we believed would apply to dividend remittances, was the appropriate rate to remeasure the bolivar-denominated net monetary assets of our subsidiaries in Venezuela. Effective March 31, 2014, we ceased using the official exchange rate and began using the SICAD rate to remeasure the financial statements of our subsidiaries in Venezuela. See Note 18 for additional information. In January 2015, we completed the divestiture of our operations in Venezuela. See Note 3 for additional information.

Income taxes — In the ordinary course of business there is inherent uncertainty in quantifying our income tax positions. We assess our income tax positions and record tax assets or liabilities for all years subject to examination based upon management’s evaluation of the facts and circumstances and information available at the reporting dates. For those tax positions where it is more likely than not that a tax benefit will be sustained, we have recorded the largest amount of tax benefit with a greater than 50% likelihood of being realized upon ultimate settlement with a taxing authority that has full knowledge of all relevant information. For those income tax positions where it is not more likely than not that a tax benefit will be sustained, no tax benefit has been recognized in the financial statements. Where applicable, the related interest cost has also been recognized as a component of the income tax provision.

Research and development — Research and development costs include expenditures for research activities relating to product development and improvement. Salaries, fringes and occupancy costs, including building, utility and overhead costs, comprise the vast majority of these expenses and are expensed as incurred. Research and development expenses were \$81, \$75 and \$72 in 2016, 2015 and 2014.

Recently adopted accounting pronouncements

In March 2016, the Financial Accounting Standards Board (FASB) issued guidance intended to simplify various aspects related to how share-based payments are accounted for and presented in the financial statements. The guidance addresses income tax effects of share-based payments, tax withholding requirements, recognition for forfeitures and presentation requirements in the statement of cash flows. This guidance has an effective date of January 1, 2017 with earlier adoption permitted. We elected to adopt the new guidance in the third quarter of 2016, requiring us to reflect any adjustments as of January 1, 2016 in retained earnings. The primary impact of adopting the new guidance was an increase in deferred tax assets of \$32 related to the cumulative excess tax benefits resulting from share-based payments. Previous guidance resulted in credits to equity for such tax benefits and delayed recognition until the tax benefits reduced income taxes payable. Because we continued to carry a valuation allowance against certain of our deferred tax assets in the U.S., the increase in deferred tax assets was offset by an increase in our valuation allowance of \$32, resulting in no impact to retained earnings as of January 1, 2016. With respect to other provisions in the new guidance, our plans currently do not permit tax withholdings in excess of the statutory minimums and we have elected to continue estimating forfeitures expected to occur when determining the amount of compensation cost to be recognized in each period. The presentation requirements for cash flows under the new standard had no impact on our consolidated statement of cash flows.

In November 2015, the FASB issued guidance that simplifies the balance sheet classification of deferred taxes. Previously, an entity separated its deferred income tax liabilities and assets into current and noncurrent amounts in a classified balance sheet. This amendment simplifies the presentation to require that all deferred tax liabilities and assets be classified as noncurrent on the balance sheet. The guidance does not change the existing requirement that only permits offsetting within a jurisdiction. The change to noncurrent classification does have an impact on working capital. This guidance becomes effective January 1, 2017, with earlier adoption permitted and allows for prospective or retrospective application. We elected to adopt the guidance in the fourth quarter of 2016 and applied the retrospective approach. As of December 31, 2015, Other current assets was reduced by \$43, Deferred tax assets was increased by \$18, Taxes on income was reduced by \$2 and Other noncurrent liabilities was reduced by \$23. As of December 31, 2014, Other current assets was reduced by \$50, Deferred tax assets was increased by \$39, Taxes on income was reduced by \$1 and Other noncurrent liabilities was reduced by \$10.

In September 2015, the FASB issued an amendment that eliminates the requirement to restate prior period financial statements for measurement period adjustments in accounting for business combinations. Entities must recognize adjustments to provisional amounts that are identified during the measurement period in the reporting period in which the adjustment amounts are determined. This guidance became effective January 1, 2016 and requires prospective application to qualifying business combinations.

In May 2015, the FASB issued guidance that modifies disclosures related to investments for which fair value is measured using the net asset value (or its equivalent) per share practical expedient by eliminating the requirement to categorize such assets under the fair value hierarchy. The new guidance also eliminates the requirement to include in certain disclosures those investments that are merely eligible to be measured using the practical expedient, limiting the disclosures to those investments actually valued under that approach. This guidance became effective January 1, 2016 and requires retrospective application. This guidance resulted in all of the commingled funds, hedge fund of funds and real estate investments held by our pension plans being removed from the fair value hierarchy within our year-end pension disclosures.

In April, 2015, the FASB issued an amendment to provide explicit guidance about a customer's accounting for fees paid in a cloud computing arrangement. If a cloud computing arrangement includes a software license, then the customer must account for the software license element of the arrangement consistent with the acquisition of other software licenses. If a cloud computing arrangement does not include a software license, then the customer must account for the arrangement as a service contract. We adopted the new guidance effective January 1, 2016. Applying the amendment to all arrangements entered into or materially modified after the effective date did not have an impact on our consolidated financial statements.

In April 2015, the FASB issued guidance to provide for a practical expedient that permits an entity to measure defined benefit plan assets and obligations as of the month end that is closest to the date of a significant event, such as a plan amendment, settlement or curtailment, that calls for a remeasurement in accordance with existing requirements. An entity is required to disclose the accounting policy election and the date used to measure defined benefit plan assets and obligations. The new guidance was effective January 1, 2016 and did not impact our consolidated financial statements.

In February 2015, the FASB released updated consolidation guidance that entities must use to evaluate specific ownership and contractual arrangements that lead to a consolidation conclusion. The updates could change consolidation outcomes affecting presentation and disclosures. The new guidance was effective January 1, 2016 and did not impact our consolidated financial statements.

In June 2014, the FASB issued guidance to provide clarity on whether to treat a performance target that could be achieved after the requisite service period as a performance condition that affects vesting or as a nonvesting condition that affects the grant-date fair value of a share-based payment award. Generally, an award with a performance target also requires an employee to render service until the performance target is achieved. In some cases, however, the terms of an award may provide that the performance target could be achieved after an employee completes the requisite service period. The amendment requires that a performance target that affects vesting and extends beyond the end of the service period be treated as a performance condition and not as a factor in estimating the grant-date fair value of the award. Compensation cost should be recognized in the period in which it becomes probable that the performance target will be achieved and should represent the compensation cost attributable to the period(s) for which the requisite service has already been rendered. The new guidance was effective January 1, 2016 and did not impact our consolidated financial statements.

Recently issued accounting pronouncements

In November 2016, the FASB released guidance that addresses the diversity in practice in the classification and presentation of changes in restricted cash on the statement of cash flows. Amounts generally described as restricted cash and restricted cash equivalents should be included with cash and cash equivalents when reconciling the beginning-of-period and

end-of-period total amounts shown on the statement of cash flows. This guidance becomes effective January 1, 2018 and must be applied on a retrospective basis. This guidance will result in a change in presentation of our consolidated statement of cash flows.

In October 2016, the FASB issued guidance that simplifies the accounting for the income tax consequences of intra-entity transfers of assets other than inventory. Current GAAP prohibits the recognition in earnings of current and deferred income taxes for an intra-entity transfer until the asset is sold to an outside party or recovered through use. This amendment simplifies the accounting by requiring entities to recognize the income tax consequences of an intra-entity transfer of an asset other than inventory when the transfer occurs. The new guidance, which could impact effective tax rates, becomes effective January 1, 2018 and requires modified retrospective application. Early adoption is permitted as of the beginning of an annual reporting period for which interim or annual financial statements have not yet been issued. We intend to adopt this guidance effective January 1, 2017. The adoption of the new guidance will result in a decrease in Other current assets of \$10, a decrease in Other noncurrent assets of \$168 and a decrease in beginning retained earnings at January 1, 2017 of \$178.

In August 2016, the FASB released guidance intended to reduce diversity in practice in how certain cash receipts and cash payments are classified in the statement of cash flows. This guidance becomes effective January 1, 2018 and must be applied on a retrospective basis. This guidance is not expected to have a material impact on our consolidated statement of cash flows.

In June 2016, the FASB issued new guidance for the accounting for credit losses on certain financial instruments. This guidance introduces a new approach to estimating credit losses on certain types of financial instruments and modifies the impairment model for available-for-sale debt securities. This guidance, which becomes effective January 1, 2020, is not expected to have a material impact on our consolidated financial statements.

In March 2016, the FASB issued simplification guidance to eliminate the requirement for an entity to retrospectively apply the equity method of accounting upon obtaining significant influence over an investment that it previously accounted for under the cost basis or at fair value. That is, it is no longer required to restate all periods as if the equity method had been in effect during all previous periods that the investment had been held. The guidance applies to covered transactions that occur after December 31, 2016. Early adoption is permitted. The significance of this guidance for us is dependent on any qualifying future investments.

In March 2016, the FASB issued guidance that simplifies the embedded derivative analysis for debt instruments containing contingent call or put options. The amendment clarifies that an exercise contingency does not need to be evaluated to determine whether it relates to interest rates and credit risk in an embedded derivative analysis. That is, a contingent put or call option embedded in a debt instrument would be evaluated for possible separate accounting as a derivative instrument without regard to the nature of the exercise contingency. This guidance becomes effective January 1, 2017 and must be applied on a modified retrospective basis to all existing and future debt instruments. We do not expect the adoption of this guidance to have an impact on our consolidated financial statements.

In March 2016, the FASB issued guidance that clarifies the hedge accounting impact when there is a change in one of the counterparties to a derivative contract. The new guidance clarifies that a change in the counterparty to a derivative contract by itself does not require the dedesignation of a hedging relationship provided that all other hedge accounting criteria continue to be met. This guidance becomes effective January 1, 2018 and can be applied on either a prospective basis or a modified retrospective basis. Early adoption is permitted. We do not expect the adoption of this guidance to have an impact on our consolidated financial statements.

In February 2016, the FASB issued its new lease accounting standard. The primary focus of the standard is on the accounting by lessees. This standard requires lessees to recognize a right-of-use asset and a lease liability for virtually all leases (other than leases that meet the definition of a short-term lease) on the balance sheet. The recognition, measurement and presentation of expenses and cash flows arising from a lease by a lessee have not significantly changed from current GAAP. Operating leases will result in straight-line expense while finance leases will result in a front-loaded expense pattern in the income statement. Quantitative and qualitative disclosures are required to provide insight into the extent of revenue and expense recognized and expected to be recognized from leasing arrangements. Approximately three-fourths of our global lease portfolio represents leases of real estate, including manufacturing, assembly and office facilities, while the remainder represents leases of personal property, including manufacturing, material handling and IT equipment. Many factors will impact the ultimate measurement of the lease obligation to be recognized upon adoption, including our assessment of the likelihood of renewal of leases that provide such an option. We continue to evaluate the impact this guidance will have on our consolidated financial statements. This guidance becomes effective January 1, 2019 with early adoption permitted.

In January 2016, the FASB issued an amendment that addresses the recognition, measurement, presentation and disclosure of certain financial instruments. Investments in equity securities currently classified as available-for-sale and carried at fair value, with changes in fair value reported in other comprehensive income (OCI), will be carried at fair value determined on an exit price notion and changes in fair value will be reported in net income. The new guidance also affects the assessment of deferred tax assets related to available-for-sale securities, the accounting for liabilities for which the fair value option is elected and the disclosures of financial assets and financial liabilities in the notes to the financial statements. This guidance, which becomes effective January 1, 2018, is not expected to have a material impact on our consolidated financial statements.

In July 2015, the FASB issued an amendment that changes the measurement principle for inventory from the lower of cost or market to lower of cost and net realizable value. This amendment only addresses the measurement of inventory if its value declines or is impaired. The guidance on determining the cost of inventory is not being amended. This guidance becomes effective January 1, 2017 and requires prospective application. Adoption of this guidance will have no impact on our consolidated financial statements.

In May 2014, the FASB issued guidance that requires companies to recognize revenue in a manner that depicts the transfer of promised goods or services to customers in amounts that reflect the consideration a company expects to be entitled to in exchange for those goods or services. The new guidance will also require new disclosures about the nature, amount, timing and uncertainty of revenue and cash flows arising from contracts with customers. In July 2015, the FASB adopted a one-year deferral of this guidance. In March 2016, the FASB issued an amendment to clarify the principal versus agent assessment in a revenue transaction. In April 2016, the FASB finalized amendments on identifying performance obligations and accounting for licenses of intellectual property. In May 2016, the FASB finalized amendments on collectibility, noncash consideration, presentation of sales tax and transition. This guidance will be effective January 1, 2018 for Dana. The guidance allows for either a full retrospective or a modified retrospective transition method. We are in the process of assessing our customer contracts, identifying contractual provisions that may result in a change in the timing or the amount of revenue recognized in comparison with current guidance, as well as assessing the enhanced disclosure requirements of the new guidance. Under current guidance we generally recognize revenue when products are shipped and risk of loss has transferred to the customer. Under the proposed requirements, the customized nature of some of our products and contractual provisions in many of our customer contracts that provide us with an enforceable right to payment, may require us to recognize revenue prior to the product being shipped to the customer. We are also assessing pricing provisions contained in certain of our customer contracts. Pricing provisions contained in some of our customer contracts represent variable consideration or may provide the customer with a material right, potentially resulting in a different allocation of the transaction price than under current guidance. In addition, we are evaluating how the new guidance may impact our accounting for customer tooling, engineering and design services and pre-production costs. We continue to evaluate the impact this guidance will have on our financial statements.

Note 2. Acquisitions

SIFCO — On December 23, 2016, we acquired strategic assets of SIFCO S.A.'s (SIFCO) commercial vehicle steer axle systems and related forged components businesses. The acquisition enables us to enhance our vertically integrated supply chain, which will further improve our cost structure and customer satisfaction by leveraging SIFCO's extensive experience and knowledge of sophisticated forged components. In addition to strengthening our position as a central source for products that use forged and machined parts throughout the region, this acquisition enables us to better accommodate the local content requirements of our customers, which reduces their import and other region-specific costs. See Note 3 for additional information on Dana's prior relationship with SIFCO.

SIFCO contributed the strategic assets to SJT Forjaria Ltda., a newly created legal entity, and Dana acquired all of the issued and outstanding quotas of SJT Forjaria Ltda. The strategic assets were acquired by Dana free and clear of any liens, claims or encumbrances. The acquisition was funded using cash on hand and has been accounted for as a business combination. The purchase consideration and the related allocation to the acquisition date fair values of the assets acquired are presented in the following table:

Purchase price, cash consideration	\$ 60
Purchase price, deferred consideration	9
Total purchase consideration	<u>\$ 69</u>
Accounts receivable - Trade	\$ 1
Accounts receivable - Other	1
Inventories	10
Goodwill	6
Intangibles	3
Property, plant and equipment	59
Accounts payable	(2)
Accrued payroll and employee benefits	(9)
Total purchase consideration allocation	<u>\$ 69</u>

The purchase consideration and fair value of the assets acquired and liabilities assumed are preliminary and could be revised as a result of adjustments made to the purchase price, additional information obtained regarding liabilities assumed and revisions of provisional estimates of fair values, including but not limited to, the completion of independent appraisals and valuations related to property, plant and equipment and intangibles. The deferred consideration, less any claims for indemnification made by Dana, is to be paid on December 23, 2017.

Goodwill recognized in this transaction is primarily attributable to synergies expected to arise after the acquisition and the assembled workforce, and is deductible for tax purposes. Intangibles includes \$2 allocated to developed technology and \$1 allocated to trade names. We used the relief from royalty method, an income approach, to value developed technology and trade names. We used a replacement cost method to value fixed assets. The developed technology and trade name intangible assets are being amortized on a straight-line basis over seven and five years respectively, and property, plant and equipment is being depreciated on a straight-line basis over useful lives ranging from three to ten years.

The results of operations of the business are reported in our Commercial Vehicle operating segment from the date of acquisition. As a result of the acquisition, we incurred transaction related expenses totaling \$5, which were charged to Other income, net. The pro forma effects of this acquisition would not materially impact our reported results for any period presented, and as a result no pro forma financial statements were presented.

Magnum — On January 29, 2016, we acquired the aftermarket distribution business of Magnum[®] Gaskets (Magnum), a U.S.-based supplier of gaskets and sealing products for automotive and commercial-vehicle applications, for a purchase price of \$18 at closing and additional cash payments of up to \$2 contingent upon the achievement of certain sales metrics over a future two-year period. As of the closing date of the acquisition, the contingent consideration was assigned a fair value of approximately \$1. Assets acquired included trademarks and trade names, customer relationships and goodwill. The results of operations of Magnum are reported within our Power Technologies operating segment. We acquired Magnum using cash on hand. The pro forma effects of this acquisition would not materially impact our reported results for any period presented, and as a result no pro forma financial statements were presented.

Brevini — On February 1, 2017, we acquired 80% ownership interests in Brevini Fluid Power S.p.A. (BFP) and Brevini Power Transmission S.p.A. (BPT) from Brevini Group S.p.A. (Brevini). The acquisition expands our Off-Highway operating segment product portfolio to include technologies for tracked vehicles, doubling our addressable market for off-highway driveline systems and establishing Dana as the only off-highway solutions provider that can manage the power to both move the equipment and perform its critical work functions. This acquisition also brings a platform of technologies that can be leveraged in our light and commercial-vehicle end markets, helping to accelerate our hybridization and electrification initiatives.

We paid €167 at closing, using cash on hand, and intend to refinance debt assumed in the transaction during the first quarter of 2017. The purchase price is subject to adjustment upon determination of the net indebtedness and net working capital levels of BFP and BPT as of the closing date. The terms of the agreement provide Dana the right to call Brevini's noncontrolling interests in BFP and BPT, and Brevini the right to put its noncontrolling interests in BFP and BPT to Dana, assuming Dana does not exercise its call rights, at dates and prices defined in the agreement.

Due to the recentness of the transaction, we are currently not able to provide an allocation of the purchase price to the fair value of the assets acquired, liabilities assumed and the redeemable noncontrolling interests or pro forma financial information.

Note 3. Disposal Groups and Impairment of Long-Lived Assets

Divestiture of Dana Companies — On December 30, 2016, we completed the divestiture of Dana Companies, LLC (DCLLC), a consolidated wholly-owned limited liability company that was established as part of our reorganization in 2008 to hold and manage personal injury asbestos claims retained by the reorganized Dana Corporation which was merged into DCLLC. DCLLC had net assets of \$165 at the time of sale including cash and cash equivalents, marketable securities and rights to insurance coverage in place to satisfy a significant portion of its liabilities. We received cash proceeds of \$88 – \$29 net of cash divested – with \$3 retained by the purchaser subject to the satisfaction of certain future conditions that we expect will be achieved in 2017. We recognized a pre-tax loss of \$77 in 2016 upon completion of the transaction. In the event the conditions associated with the retained purchase price of \$3 are satisfied in the future, income of \$3 will be recognized at such time. Following completion of the sale, Dana has no obligation with respect to current or future asbestos claims.

Divestiture of Nippon Reinz — On November 30, 2016, we sold our 53.7% interest in Nippon Reinz Co. Ltd. (Nippon Reinz) to Nichias Corporation. Dana received net cash proceeds of \$5 and recognized a pre-tax loss of \$3 on the divestiture of Nippon Reinz, inclusive of the \$12 gain on derecognition of the noncontrolling interest. Nippon Reinz had sales of \$42 in 2016 through the transaction date.

Disposal of operations in Venezuela — In December 2014, we entered into an agreement to divest our Light Vehicle operations in Venezuela (the disposal group) to an unaffiliated company for no consideration. Upon classification of the disposal group as held for sale in December 2014, we recognized an \$80 loss to adjust the carrying value of the net assets of our operations in Venezuela to fair value less cost to sell. The assets and liabilities of our operations in Venezuela were presented as held for sale on our balance sheet as of December 31, 2014. Upon completion of the divestiture of the disposal group in January 2015, we recognized a gain of \$5 on the derecognition of the noncontrolling interest in a former Venezuelan subsidiary in Other income, net. We also credited other comprehensive loss attributable to the parent for \$10 and other comprehensive loss attributable to noncontrolling interests for \$1 to eliminate the unrecognized pension expense recorded in accumulated other comprehensive loss.

Discontinued operations of Structural Products business — The sale of substantially all of the assets of our Structural Products business to Metalsa S.A. de C.V. (Metalsa) in 2010 excluded the facility in Longview, Texas and its employees and manufacturing assets related to a significant customer contract. The customer contract was satisfied and operations concluded in August 2012. As a result of the cessation of all operations, activities related to the former Structural Products business have been presented as discontinued operations in the accompanying financial statements.

The Longview facility was sold in March 2013 and a previously closed plant in Canada was sold in January 2014. The proceeds from both transactions approximated the carrying values of the facilities. We reached a final agreement on the remaining issues with the buyer in May 2014, resulting in the receipt of \$9 from the escrow agent and a charge of \$1 to other income (expense) within discontinued operations in 2014.

The results of the discontinued operations were as follows:

	2015	2014
Sales	\$ —	\$ —
Other income (expense)	5	(19)
Pre-tax income (loss)	5	(19)
Income tax expense (benefit)	1	(4)
Income (loss) from discontinued operations	<u>\$ 4</u>	<u>\$ (15)</u>

In 2012, Ford Motor Company (Ford) filed a complaint alleging quality issues relating to products supplied by the former Structural Products business at Dana Canada Corporation. The Dana Canada facility was closed in 2008. In December 2014, while admitting no liability related to the complaint, we reached a settlement agreement with Ford. The cost of the settlement with Ford and the associated legal fees incurred in connection with this matter were charged to Other income (expense) within discontinued operations in the fourth quarter of 2014. The loss reported for 2014 also includes the charge that resulted from the final settlement of the claims presented by Metalsa along with the related legal fees. The income reported for 2015 includes insurance recoveries related to previously outstanding claims.

Impairment of long-lived assets — On February 1, 2011, we entered into an agreement with SIFCO, a leading producer of steer axles and forged components in South America. In return for payment of \$150 to SIFCO, we acquired the distribution rights to SIFCO's commercial vehicle steer axle systems as well as an exclusive long-term supply agreement for key driveline components. During 2014, our Commercial Vehicle operating segment had \$225 of sales attributable to SIFCO supplied axles and parts.

This agreement was accounted for as a business combination for financial reporting purposes. The aggregate fair value of the net assets acquired was allocated primarily to the exclusivity provisions of the supply agreement as a contract-based intangible asset and recorded within our Commercial Vehicle operating segment. Fair value was also allocated to fixed assets and an embedded lease obligation. The intangible asset was being amortized and the fixed assets were being depreciated on a straight-line basis over ten years. The embedded lease obligations were being amortized using the effective interest method over the ten-year useful lives of the related fixed assets.

On April 22, 2014, SIFCO and affiliated companies filed for judicial reorganization before Bankruptcy Court in São Paulo, Brazil and an ancillary Chapter 15 proceeding before the Bankruptcy Court of the Southern District of New York. The Brazilian bankruptcy case has subsequently been moved to the 5th Lower Civil Court in the Judicial District of Jundiai, the location of SIFCO's principal operations. Until the third quarter of 2015, SIFCO complied with the terms of the supply agreement. In August 2015, SIFCO discontinued production of our orders and failed to comply with provisions of the supply agreement. We obtained a judicial injunction requiring that SIFCO release any finished product in their possession that was produced pursuant to the supply agreement, resume production and parts supply pursuant to the terms of the supply agreement and cease communications with our customers regarding direct sale of parts. SIFCO contested the injunction we obtained, without success, and refused to comply with the injunction. Through a judicial seizure order we were successful in obtaining the release of the finished product.

Based on SIFCO's refusal to comply with the terms of the supply agreement and the court injunctions as noted above, we believed that the carrying amount of the contract-based intangible asset was not recoverable and therefore tested the associated asset group for impairment as of September 30, 2015 under ASC 360-10. Based upon management's conclusion that there were no future economic benefits and related cash flows associated with the long-lived assets of this asset group, which is comprised predominantly of the intangible asset, management concluded that the fair value of the asset group was de minimis and accordingly recorded a full impairment charge of \$36 in the third quarter of 2015.

On October 27, 2015, we entered into an interim agreement with SIFCO under which they continued to supply product while pursuing various mutually satisfactory longer-term alternatives. During 2015, in addition to the above mentioned impairment charge, we incurred approximately \$8 of increased costs in connection with maintaining product supply from SIFCO. On December 23, 2016, we acquired strategic assets of SIFCO's commercial vehicle steer axle systems and related forged components businesses. See Note 2 for additional information.

Note 4. Goodwill and Other Intangible Assets

Goodwill —The change in the carrying amount of goodwill in 2016 is due to currency fluctuation and the acquisitions of SJT Forjaria Ltda. and the aftermarket distribution business of Magnum. See Note 2 for additional information. Based on our October 31, 2016 impairment assessment, the fair value of our Off-Highway segment is significantly higher than its carrying value, including goodwill. We do not believe that our goodwill is at risk of being impaired.

Changes in the carrying amount of goodwill by segment —

	Off-Highway	Commercial Vehicle	Power Technologies	Total
Balance, December 31, 2014	\$ 90	\$ —	\$ —	\$ 90
Currency impact	(10)			(10)
Balance, December 31, 2015	80	—	—	80
Acquisitions		6	6	12
Currency impact	(2)			(2)
Balance, December 31, 2016	<u>\$ 78</u>	<u>\$ 6</u>	<u>\$ 6</u>	<u>\$ 90</u>

Non-amortizable intangible assets — Our non-amortizable intangible assets include trademarks, trade names and intangible assets used in research and development activities. Trademarks and trade names consist of the Dana® and Spicer® trademarks and trade names utilized in our Commercial Vehicle and Off-Highway segments. We value trademarks and trade names using a

relief from royalty method which is based on revenue streams. No impairment was recorded during the three years ended December 31, 2016 in connection with the required annual assessment. Intangible assets used in research and development activities relate to our strategic alliance formed with Fallbrook Technologies Inc. in September 2012. We use the multi-period excess earnings method, an income approach, to value the intangible assets used in research and development activities. No impairment has been recorded during the three years ended December 31, 2016 in connection with the required annual assessment.

Amortizable intangible assets — Our amortizable intangible assets include core technology, customer relationships and a portion of our trademarks and trade names. Core technology includes the proprietary know-how and expertise that is inherent in our products and manufacturing processes. Customer relationships include the established relationships with our customers and the related ability of these customers to continue to generate future recurring revenue and income.

These assets are tested for impairment whenever events or changes in circumstances indicate that their carrying amounts may not be recoverable. We group the assets and liabilities at the lowest level for which identifiable cash flows are largely independent of the cash flows of other assets and liabilities and evaluate the asset group against the undiscounted future cash flows. We use our internal forecasts, which we update quarterly, to develop our cash flow projections. These forecasts are based on our knowledge of our customers' production forecasts, our assessment of market growth rates, net new business, material and labor cost estimates, cost recovery agreements with customers and our estimate of savings expected from our restructuring activities. The most likely factors that would significantly impact our forecasts are changes in customer production levels and loss of significant portions of our business. Our valuation is applied over the life of the primary assets within the asset groups. If the undiscounted cash flows do not indicate that the carrying amount of the asset group is recoverable, an impairment charge is recorded if the carrying amount of the asset group exceeds its fair value based on discounted cash flow analyses or appraisals.

There were no impairments for the year ended December 31, 2016. During the third quarter of 2015, we impaired the customer relationships intangible asset associated with our exclusive long-term supply agreement with SIFCO. See Note 3 for additional information.

Components of other intangible assets —

	Weighted Average Useful Life (years)	December 31, 2016			December 31, 2015		
		Gross Carrying Amount	Accumulated Impairment and Amortization	Net Carrying Amount	Gross Carrying Amount	Accumulated Impairment and Amortization	Net Carrying Amount
<i>Amortizable intangible assets</i>							
Core technology	7	\$ 88	\$ (83)	\$ 5	\$ 86	\$ (83)	\$ 3
Trademarks and trade names	11	6	(2)	4	3	(2)	1
Customer relationships	7	389	(374)	15	383	(370)	13
<i>Non-amortizable intangible assets</i>							
Trademarks and trade names		65		65	65		65
Used in research and development activities		20		20	20		20
		<u>\$ 568</u>	<u>\$ (459)</u>	<u>\$ 109</u>	<u>\$ 557</u>	<u>\$ (455)</u>	<u>\$ 102</u>

The net carrying amounts of intangible assets, other than goodwill, attributable to each of our operating segments at December 31, 2016 were as follows: Light Vehicle Driveline (Light Vehicle) – \$22, Commercial Vehicle – \$37, Off-Highway – \$36 and Power Technologies – \$14.

Amortization expense related to amortizable intangible assets —

	2016	2015	2014
Charged to cost of sales	\$ 1	\$ 2	\$ 7
Charged to amortization of intangibles	8	14	42
Total amortization	<u>\$ 9</u>	<u>\$ 16</u>	<u>\$ 49</u>

The following table provides the estimated aggregate pre-tax amortization expense related to intangible assets for each of the next five years based on December 31, 2016 exchange rates. Actual amounts may differ from these estimates due to such factors as currency translation, customer turnover, impairments, additional intangible asset acquisitions and other events.

	2017	2018	2019	2020	2021
Amortization expense	\$ 7	\$ 4	\$ 2	\$ 2	\$ 2

Note 5. Restructuring of Operations

Our restructuring activities have historically included rationalizing our operating footprint by consolidating facilities, positioning operations in lower cost locations and reducing overhead costs. In recent years, however, in response to lower demand and other market conditions in certain businesses, our focus has primarily been headcount reduction initiatives to reduce operating costs. Restructuring expense includes costs associated with current and previously announced actions and is comprised of contractual and noncontractual separation costs and exit costs, including costs associated with lease continuation obligations and certain operating costs of facilities that we are in the process of closing.

During 2016, we approved plans to implement certain headcount reduction initiatives across our businesses, including the first-quarter 2016 announcement of the planned closure of our Commercial Vehicle manufacturing facility in Glasgow, Kentucky by mid-2017. During the second half of 2016, we also approved and began to implement certain other headcount reduction initiatives, the most significant of which are associated with our Off-Highway business in Europe and our Commercial Vehicle and Light Vehicle businesses in Brazil, in response to continued market weakness in those businesses. Additionally, in conjunction with the SJT Forjaria Ltda. acquisition in December 2016, we approved plans to eliminate certain redundant positions as one of our initial steps toward the integration of the SJT Forjaria Ltda. operations into our Commercial Vehicle business in that region. Including costs associated with these actions and with other previously announced initiatives, restructuring expense during 2016 was \$36, including \$33 of severance and benefits costs and \$3 of exit costs.

During 2015, we implemented certain headcount reduction programs, primarily in our Commercial Vehicle business in Brazil in response to lower demand in that region. Including costs associated with these actions and with other previously announced initiatives, total restructuring expense in 2015 was \$15 and included \$12 of severance and related benefits costs and \$3 of exit costs.

During 2014, we implemented various cost reduction programs, including the closure of our Commercial Vehicle foundry in Argentina and other headcount reduction programs in our Light Vehicle and Commercial Vehicle businesses in South America and Europe. Total restructuring expense in 2014 associated with these actions and with other previously announced initiatives was \$21 and included \$15 of severance and related benefits costs and \$6 of exit costs.

Accrued restructuring costs and activity, including noncurrent portion —

	Employee Termination Benefits	Exit Costs	Total
Balance at December 31, 2013	\$ 14	\$ 11	\$ 25
Charges to restructuring	17	6	23
Adjustments of accruals	(2)		(2)
Cash payments	(18)	(8)	(26)
Currency impact	1		1
Balance at December 31, 2014	12	9	21
Charges to restructuring	12	3	15
Cash payments	(12)	(4)	(16)
Currency impact	(3)		(3)
Balance at December 31, 2015	9	8	17
Charges to restructuring	35	3	38
Adjustments of accruals	(2)		(2)
Cash payments	(10)	(5)	(15)
Balance at December 31, 2016	<u>\$ 32</u>	<u>\$ 6</u>	<u>\$ 38</u>

At December 31, 2016, accrued employee termination benefits include costs to the reduce approximately 800 employees over the next two years. The exit costs relate primarily to lease continuation obligations.

Cost to complete — The following table provides project-to-date and estimated future restructuring expenses for completion of our approved restructuring initiatives for our business segments at December 31, 2016.

	Expense Recognized			Future Cost to Complete
	Prior to 2016	2016	Total to Date	
Light Vehicle	\$ 9	\$ 2	\$ 11	\$ 1
Commercial Vehicle	25	18	43	15
Off-Highway		14	14	
Corporate		2	2	
Total	<u>\$ 34</u>	<u>\$ 36</u>	<u>\$ 70</u>	<u>\$ 16</u>

The future cost to complete includes estimated separation costs, primarily those associated with one-time benefit programs, and exit costs through 2021, including lease continuation costs, equipment transfers and other costs which are required to be recognized as closures are finalized or as incurred during the closure.

Note 6. Inventories

Inventory components at December 31 —

	2016	2015
Raw materials	\$ 321	\$ 306
Work in process and finished goods	368	365
Inventory reserves	(51)	(46)
Total	<u>\$ 638</u>	<u>\$ 625</u>

Note 7. Supplemental Balance Sheet and Cash Flow Information

Supplemental balance sheet information at December 31 —

	2016	2015
Other current assets:		
Prepaid expenses	\$ 67	\$ 57
Other	11	8
Total	<u>\$ 78</u>	<u>\$ 65</u>
Other noncurrent assets:		
Prepaid income taxes	\$ 168	\$ 178
Amounts recoverable from insurers		44
Prepaid expenses	11	5
Deferred financing costs	5	4
Pension assets, net of related obligations	2	2
Other	40	42
Total	<u>\$ 226</u>	<u>\$ 275</u>
Property, plant and equipment, net:		
Land and improvements to land	\$ 172	\$ 185
Buildings and building fixtures	435	405
Machinery and equipment	2,108	1,760
Total cost	<u>2,715</u>	<u>2,350</u>
Less: accumulated depreciation	(1,302)	(1,183)
Net	<u>\$ 1,413</u>	<u>\$ 1,167</u>
Other accrued liabilities (current):		
Non-income taxes payable	\$ 30	\$ 30
Accrued interest	17	24
Warranty reserves	35	31
Asbestos claims obligations		12
Deferred income	6	8
Work place injury costs	5	5
Restructuring costs	29	10
Payable under forward contracts	8	15
Environmental	3	5
Other expense accruals	68	53
Total	<u>\$ 201</u>	<u>\$ 193</u>
Other noncurrent liabilities:		
Income tax liability	\$ 57	\$ 78
Asbestos claims obligations		66
Deferred income tax liability	37	60
Work place injury costs	26	30
Warranty reserves	31	25
Restructuring costs	9	7
Other noncurrent liabilities	45	41
Total	<u>\$ 205</u>	<u>\$ 307</u>

Supplemental cash flow information —

	2016	2015	2014
Change in working capital:			
Change in accounts receivable	\$ (86)	\$ —	\$ (32)
Change in inventories	(13)	(28)	(56)
Change in accounts payable	70	(22)	66
Change in accrued payroll and employee benefits	5	3	13
Change in accrued income taxes	(13)	(1)	(2)
Change in other current assets and liabilities	(14)	7	(28)
Net	<u>\$ (51)</u>	<u>\$ (41)</u>	<u>\$ (39)</u>
Cash paid during the period for:			
Interest	\$ 111	\$ 96	\$ 122
Income taxes	89	90	116
Non-cash investing and financing activities:			
Purchases of property, plant and equipment held in accounts payable	\$ 113	\$ 55	\$ 48
Stock compensation plans	14	15	13
Conversion of preferred stock into common stock	—	—	372
Conversion of preferred dividends into common stock	—	—	3

Note 8. Stockholders' Equity

Preferred Stock

We are authorized to issue 50,000,000 of Dana preferred stock, par value \$0.01 per share. There were no preferred shares outstanding at December 31, 2016 or 2015.

Series B Preferred stock issuance and conversion — We had issued 5.4 million shares of our 4.0% Series B Preferred on January 31, 2008 to certain investors. Dividends accrued daily until conversion into common stock. During 2014, holders of 2,296,802 Series B preferred shares elected to convert those preferred shares into common stock and received 19,517,593 common shares. The common stock issued included shares to satisfy the accrued dividends owed to the converting Series B preferred stockholders. Based on the market price of Dana common stock on the date of conversion, the fair value of the conversions totaled \$409. As of July 2, 2014, the per share closing price of our common stock exceeded \$22.24 for 20 consecutive trading days. As a result, we exercised our right to cause the conversion of all of the remaining outstanding Series B preferred shares at the conversion price of \$11.93 upon fulfillment of the required 90-day notice period ending September 30, 2014. We caused the conversion of 1,506,972 Series B shares with holders receiving 12,631,780 common shares valued at \$250 based on the market price of Dana common stock on the date of conversion.

Common Stock

We are authorized to issue 450,000,000 shares of Dana common stock, par value \$0.01 per share. At December 31, 2016, there were 150,751,064 shares of our common stock issued and 143,938,280 shares outstanding, net of 6,812,784 in treasury shares. Treasury shares include those shares withheld at cost to satisfy tax obligations from stock awards issued under our stock compensation plan in addition to share repurchases noted below.

Our Board of Directors declared a quarterly cash dividend of six cents per share of common stock in each quarter of 2016. Aggregate 2016 declared and paid dividends total \$35. Dividends accrue on restricted stock units (RSUs) granted under our stock compensation program and will be paid in cash or additional units when the underlying units vest.

Treasury stock — During 2014, we reissued 14,879,935 shares of treasury stock in conjunction with the conversion of 1,772,693 Series B preferred shares into common stock. The reissuance of the treasury shares resulted in a \$127 charge to additional paid-in capital as the carrying value of the treasury shares reissued exceeded the carrying value of the Series B preferred shares converted. We use the weighted-average pool price of our treasury shares at the date of reissuance to determine the carrying value of treasury shares reissued. In December 2014, we retired 14,600,000 shares of treasury stock. The \$294 excess of the cost of the treasury stock over the common stock par value, based on the weighted-average pool price of our treasury shares at the date of retirement, was charged to additional paid-in capital. In December 2015, we retired 18,100,000

shares of treasury stock. The \$346 excess of the cost of the treasury stock over the common stock par value, based on the weighted-average pool price of our treasury shares at the date of retirement, was charged to additional paid-in capital.

Share repurchase program — Our Board of Directors approved an expansion of our existing common stock share repurchase program from \$1,400 to \$1,700 on January 11, 2016. The program expires on December 31, 2017. Under the program, we spent \$81 to repurchase 6,612,537 shares of our common stock during 2016 through open market transactions. Approximately \$219 remained available under the program for future share repurchases as of December 31, 2016.

Changes in each component of AOCI of the parent —

	Parent Company Stockholders				
	Foreign Currency Translation	Hedging	Investments	Defined Benefit Plans	Accumulated Other Comprehensive Loss
Balance, December 31, 2013	\$ (242)	\$ —	\$ 3	\$ (488)	\$ (727)
Other comprehensive income (loss):					
Currency translation adjustments	(185)				(185)
Holding gains and losses		(12)	3		(9)
Reclassification of amount to net income (a)		2	(1)		1
Venezuela bolivar devaluation				4	4
Net actuarial losses				(156)	(156)
Reclassification adjustment for net actuarial losses included in net periodic benefit cost (b)				60	60
Other				3	3
Tax benefit		1		11	12
Other comprehensive income (loss)	(185)	(9)	2	(78)	(270)
Balance, December 31, 2014	(427)	(9)	5	(566)	(997)
Other comprehensive income (loss):					
Currency translation adjustments	(179)				(179)
Holding loss on net investment hedge	(2)				(2)
Holding gains and losses		(14)	(3)		(17)
Reclassification of amount to net income (a)		20			20
Net actuarial losses				(28)	(28)
Reclassification adjustment for net actuarial losses included in net periodic benefit cost (b)				25	25
Elimination of net prior service cost and actuarial losses of disposal group				10	10
Tax expense		(1)		(5)	(6)
Other comprehensive income (loss)	(181)	5	(3)	2	(177)
Balance, December 31, 2015	(608)	(4)	2	(564)	(1,174)
Other comprehensive income (loss):					
Currency translation adjustments	(43)				(43)
Holding gains and losses		(16)	3		(13)
Reclassification of amount to net income (a)		(14)	(7)		(21)
Net actuarial losses				(88)	(88)
Reclassification adjustment for net actuarial losses included in net periodic benefit cost (b)				26	26
Elimination due to sale of subsidiary	2		2	1	5
Tax benefit	3			21	24
Other comprehensive loss	(38)	(30)	(2)	(40)	(110)
Balance, December 31, 2016	\$ (646)	\$ (34)	\$ —	\$ (604)	\$ (1,284)

Notes:

(a) Foreign currency contract and investment reclassifications are included in Other income, net.

(b) See Note 11 for additional details.

Note 9. Earnings per Share

Reconciliation of the numerators and denominators of the earnings per share calculations —

	2016	2015	2014
Income from continuing operations	\$ 653	\$ 176	\$ 343
Less: Noncontrolling interests net income	13	21	9
Less: Preferred stock dividend requirements			7
Income from continuing operations available to common stockholders - Numerator basic	640	155	327
Preferred stock dividend requirements			7
Numerator diluted	<u>\$ 640</u>	<u>\$ 155</u>	<u>\$ 334</u>
Net income available to common stockholders - Numerator basic	\$ 640	\$ 159	\$ 312
Preferred stock dividend requirements			7
Numerator diluted	<u>\$ 640</u>	<u>\$ 159</u>	<u>\$ 319</u>
Weighted-average number of shares outstanding - Denominator basic	146.0	159.0	158.0
Employee compensation-related shares, including stock options	0.8	1.0	1.2
Conversion of preferred stock			14.3
Denominator diluted	<u>146.8</u>	<u>160.0</u>	<u>173.5</u>

The share count for diluted earnings per share is computed on the basis of the weighted-average number of common shares outstanding plus the effects of dilutive common stock equivalents (CSEs) outstanding during the period. We excluded 1.7 million and 0.4 million million CSEs from the calculations of diluted earnings per share for the years 2016 and 2015 as the effect of including them would have been anti-dilutive.

Note 10. Stock Compensation

2012 Omnibus Incentive Plan

Our 2012 Omnibus Incentive Plan (the Plan), as approved by our stockholders, authorizes the grant of stock options, stock appreciation rights (SARs), RSUs and performance share units (PSUs) through April 2022. Cash-settled awards do not count against the maximum aggregate number. At December 31, 2016, there were 3.2 million shares available for future grants. Shares of common stock to be issued under the Plan are made available from authorized and unissued Dana common stock.

Award activity — (shares in millions)

	Options		SARs		RSUs		PSUs	
	Shares	Exercise Price per Share*	Shares	Exercise Price per Share*	Shares	Grant-Date Fair Value per Share*	Shares	Grant-Date Fair Value per Share*
December 31, 2015	1.8	\$ 14.50	0.3	\$ 15.46	1.3	\$ 20.09	0.4	\$ 22.92
Granted					1.2	13.31	0.4	13.21
Exercised or vested	(0.1)	11.74			(0.6)	16.51		
Forfeited or expired	(0.2)	16.31			(0.1)	16.75	(0.2)	22.61
December 31, 2016	<u>1.5</u>	14.56	<u>0.3</u>	15.42	<u>1.8</u>	16.54	<u>0.6</u>	16.31

* Weighted-average

	2016	2015	2014
Total stock compensation expense	\$ 17	\$ 14	\$ 16
Total grant-date fair value of awards vested	11	21	13
Cash received from exercise of stock options	2	2	7
Cash paid to settle SARs and RSUs	1	2	2
Intrinsic value of stock options and SARs exercised	1	1	7
Intrinsic value of RSUs and PSUs vested	7	16	8

Compensation expense is generally measured based on the fair value at the date of grant and is recognized on a straight-line basis over the vesting period. For options and SARs, we use an option-pricing model to estimate fair value. For RSUs and PSUs, the fair value is based on the closing market price of our common stock at the date of grant. Awards that are settled in cash are subject to liability accounting. Accordingly, the fair value of such awards is remeasured at the end of each reporting period until settled or expired. We had accrued \$5 and \$3 for cash-settled awards at December 31, 2016 and 2015. We issued 0.5 million shares of common stock in 2016 to settle vested RSUs. At December 31, 2016, the total unrecognized compensation cost related to the nonvested awards granted and expected to vest was \$21. This cost is expected to be recognized over a weighted-average period of 1.8 years.

Stock options and stock appreciation rights — The exercise price of each option or SAR equals the closing market price of our common stock on the date of grant. Options and SARs generally vest over three years and their maximum term is ten years. Shares issued upon the exercise of options are recorded as common stock and additional paid-in capital at the option price. SARs are settled in cash for the difference between the market price on the date of exercise and the exercise price. We have not granted stock options or SARs since 2013. All outstanding awards are fully vested and exercisable. At December 31, 2016, the outstanding awards have an aggregate intrinsic value of \$8 and a weighted-average remaining contractual life of 4.9 years.

Restricted stock units and performance shares units — Each RSU or PSU granted represents the right to receive one share of Dana common stock or, at the election of Dana (for units awarded to board members) or for employees located outside the U.S. (for employee awarded units), cash equal to the market value per share. All RSUs contain dividend equivalent rights. RSUs granted to non-employee directors vest on the first anniversary date of the grant and those granted to employees generally cliff vest fully after three years. PSUs granted to employees vest if specified performance goals are achieved during the respective performance period, generally three years.

The number of PSUs that ultimately vest is contingent on achieving specified return on invested capital targets and specified total shareholder return targets relative to peer companies. For the portion of the PSU award based on the return on invested capital performance metric, we estimated the fair value at grant date based on the closing market price of our common stock at the date of grant adjusted for the value of assumed dividends over the period because the award is not dividend protected. The estimated grant date value is accrued over the performance period and adjusted as appropriate based on performance relative to the target. For the portion of the PSU award based on shareholder returns, we estimated the fair value at grant date using various assumptions as part of a Monte Carlo simulation. The expected term represents the period from the grant date to the end of the performance period. The risk-free interest rate was based on U.S. Treasury constant maturity rates at the grant date. The dividend yield was calculated by dividing the expected annual dividend by the average stock price over the prior year. The expected volatility was based on historical volatility using daily stock price observations.

	PSUs		
	2016	2015	2014
Expected term (in years)	3.0	3.0	3.0
Risk-free interest rate	1.00%	0.89%	0.64%
Dividend yield	1.40%	0.98%	1.02%
Expected volatility	33.4%	33.9%	43.6%

Cash incentive awards — Our 2012 Omnibus Incentive Plan provides for cash incentive awards. We make awards annually to certain eligible employees designated by Dana, including certain executive officers. Awards under the plan are based on achieving certain financial performance goals. The performance goals of the plan are established annually by the Board of Directors.

Under the 2016, 2015 and 2014 annual incentive programs, participants were eligible to receive cash awards based on achieving earnings, cash flow and working capital performance goals. Our 2016, 2015 and 2014 long-term incentive programs each have a three-year contractual period and include a performance-based cash component. For the 2016 long-term incentive program the vesting of the performance-based cash component is based on achieving the required return-on-invested-capital target, established at the grant date of the award, measured on an average basis over the three-year contractual period of the program. For the 2015 and 2014 long-term incentive programs the vesting of the performance-based cash component is based on achieving the required return-on-invested-capital target, established at the grant date of the award, in the third year of the three-year contractual period of the respective program. We accrued \$41, \$35 and \$44 of expense in 2016, 2015 and 2014 for the expected cash payments under these programs.

Note 11. Pension and Postretirement Benefit Plans

We sponsor various defined benefit, qualified and nonqualified, pension plans covering eligible employees. Other postretirement benefits (OPEB), including medical and life insurance, are provided for certain employees upon retirement.

We also sponsor various defined contribution plans that cover the majority of our employees. Under the terms of the qualified defined contribution retirement plans, employee and employer contributions may be directed into a number of diverse investments. None of these qualified defined contribution plans allow direct investment in our stock.

Components of net periodic benefit cost (credit) and other amounts recognized in OCI—

	Pension Benefits					
	2016		2015		2014	
	U.S.	Non-U.S.	U.S.	Non-U.S.	U.S.	Non-U.S.
Interest cost	\$ 53	\$ 7	\$ 66	\$ 8	\$ 80	\$ 11
Expected return on plan assets	(92)	(2)	(108)	(2)	(111)	(1)
Service cost		5		5		6
Amortization of net actuarial loss	21	6	18	7	16	3
Settlement loss					36	6
Other		1			(5)	(1)
Net periodic benefit cost (credit)	(18)	17	(24)	18	16	24
Recognized in OCI:						
Amount due to net actuarial (gains) losses	68	16	40	(6)	93	53
Reclassification adjustment for net actuarial losses in net periodic benefit cost	(21)	(6)	(18)	(7)	(52)	(9)
Venezuelan bolivar devaluation						(4)
Other		(1)		(11)	(2)	(1)
Total recognized in OCI	47	9	22	(24)	39	39
Net recognized in benefit cost (credit) and OCI	\$ 29	\$ 26	\$ (2)	\$ (6)	\$ 55	\$ 63

	OPEB - Non-U.S.		
	2016	2015	2014
Interest cost	\$ 3	\$ 3	\$ 5
Service cost	1	1	1
Amortization of net actuarial gain	(1)		(1)
Net periodic benefit cost	3	4	5
Recognized in OCI:			
Amount due to net actuarial (gains) losses	4	(6)	10
Reclassification adjustment for net actuarial gain in net periodic benefit cost	1		1
Total recognized in OCI	5	(6)	11
Net recognized in benefit cost and OCI	\$ 8	\$ (2)	\$ 16

Our U.S. defined benefit pension plans are frozen and no additional service cost is being accrued. The estimated net actuarial loss for the defined benefit pension plans that will be amortized from AOCI into benefit cost in 2017 is \$24 for our U.S. plans and \$6 for our non-U.S. plans. We use the corridor approach for purposes of systematically amortizing deferred gains or losses as a component of net periodic benefit cost into the income statement in future reporting periods. The amortization period used is generally the average remaining service period of active participants in the plan unless almost all of the plan's participants are inactive, in which case we use the average remaining life expectancy of the inactive participants. No portion of the estimated net actuarial gain related to OPEB plans will be amortized from AOCI into benefit cost in 2017.

As discussed in Note 3, upon the divestiture of our operations in Venezuela, we eliminated unrecognized pension expense of \$11, of which \$1 was attributable to noncontrolling interests.

Funded status — The following tables provide reconciliations of the changes in benefit obligations, plan assets and funded status.

	Pension Benefits				OPEB - Non-U.S.	
	2016		2015		2016	2015
	U.S.	Non-U.S.	U.S.	Non-U.S.		
Reconciliation of benefit obligation:						
Obligation at beginning of period	\$ 1,692	\$ 288	\$ 1,823	\$ 325	\$ 86	\$ 110
Interest cost	53	7	66	8	3	3
Service cost		5		5	1	1
Actuarial (gain) loss	59	18	(70)	(5)	4	(6)
Benefit payments	(122)	(12)	(127)	(11)	(5)	(5)
New plans		14		4		
Settlements		(2)		(2)		
Other		(5)				
Translation adjustments		(4)		(36)	2	(17)
Obligation at end of period	<u>\$ 1,682</u>	<u>\$ 309</u>	<u>\$ 1,692</u>	<u>\$ 288</u>	<u>\$ 91</u>	<u>\$ 86</u>

The amount included on the New plans line in the preceding table includes obligations under a pension plan in Switzerland, gratuity plans in India and a termination benefit plan covering certain employees in Italy. We determined in 2016 that these obligations should be included within our defined benefit pension plan obligation and the related disclosures. The adjustments were primarily reclassifications from Other noncurrent liabilities to Pension and postretirement obligations and did not have a material impact on pension expense.

	Pension Benefits				OPEB - Non-U.S.	
	2016		2015		2016	2015
	U.S.	Non-U.S.	U.S.	Non-U.S.		
Reconciliation of fair value of plan assets:						
Fair value at beginning of period	\$ 1,493	\$ 40	\$ 1,622	\$ 44	\$ —	\$ —
Actual return on plan assets	83	4	(2)	3		
Employer contributions		15		12	5	5
Benefit payments	(122)	(12)	(127)	(11)	(5)	(5)
Settlements		(2)		(2)		
New plans		4		3		
Translation adjustments		2		(9)		
Fair value at end of period	<u>\$ 1,454</u>	<u>\$ 51</u>	<u>\$ 1,493</u>	<u>\$ 40</u>	<u>\$ —</u>	<u>\$ —</u>
Funded status at end of period	<u>\$ (228)</u>	<u>\$ (258)</u>	<u>\$ (199)</u>	<u>\$ (248)</u>	<u>\$ (91)</u>	<u>\$ (86)</u>

Amounts recognized in the balance sheet —

	Pension Benefits				OPEB - Non-U.S.	
	2016		2015		2016	2015
	U.S.	Non-U.S.	U.S.	Non-U.S.		
Amounts recognized in the consolidated balance sheet:						
Noncurrent assets	\$ —	\$ 2	\$ —	\$ 2	\$ —	\$ —
Current liabilities		(9)		(10)	(5)	(4)
Noncurrent liabilities	(228)	(251)	(199)	(240)	(86)	(82)
Net amount recognized	<u>\$ (228)</u>	<u>\$ (258)</u>	<u>\$ (199)</u>	<u>\$ (248)</u>	<u>\$ (91)</u>	<u>\$ (86)</u>

Amounts recognized in AOCI —

	Pension Benefits				OPEB - Non-U.S.	
	2016		2015		2016	2015
	U.S.	Non-U.S.	U.S.	Non-U.S.		
Amounts recognized in AOCI:						
Net actuarial loss (gain)	\$ 560	\$ 92	\$ 513	\$ 83	\$ (10)	\$ (15)
AOCI before tax	560	92	513	83	(10)	(15)
Deferred taxes	(17)	(24)		(21)	3	4
Net	<u>\$ 543</u>	<u>\$ 68</u>	<u>\$ 513</u>	<u>\$ 62</u>	<u>\$ (7)</u>	<u>\$ (11)</u>

We initiated a program in September 2014 under which certain former U.S. employees with vested pension benefits were offered lump sum payments to settle their pension obligations. The same participants were also offered the option to begin receiving monthly benefits soon after the program ended – earlier than previously allowed under the related plans. This voluntary program ended in early November with 71% of the participants in the program accepting accelerated payments. The lump sum payments were made in December. Together with routine settlements occurring in the U.S. throughout 2014, these actions resulted in the distribution of plan assets of \$133 to effect settlement of the related obligations. We charged earnings for \$36 to write off a pro rata portion of the cumulative actuarial loss related to the settled obligations. Because of differences in valuation methods, the reduction in pension obligations exceeded the assets distributed by \$38, which was credited to other comprehensive income as a component of the actuarial loss for 2014.

During the fourth quarter of 2014, a defined benefit pension plan in Canada distributed the remainder of its assets in accordance with the related agreement. We incurred a charge of \$6 to write off the remaining unrecognized pension expense related to this plan.

The other elements of the 2014 actuarial loss resulted from changes in assumptions and investment returns. Reducing our discount rate at the end of 2014 caused an increase in the U.S. pension benefit obligation and an actuarial loss of \$165. During the fourth quarter of 2014, the Society of Actuaries (SOA) issued new mortality tables (RP-2014) and mortality improvement scales (MP-2014). After studying our recent experience and evaluating the new tables, we adopted the RP-2014 Blue Collar table for hourly participants and the No Collar table for salaried participants in our U.S. plans. With respect to the improvement scales, the SOA had projected improvement from the beginning of 2008 after analyzing historical data through 2007. We compared actual experience for years after 2007 to the improvement projected in MP-2014 and, in concert with our actuarial advisers, considered other relevant data before concluding that a 0.75% long-term improvement rate (LTIR) for periods beginning with 2014 was appropriate and assuming that the LTIR would be attained by 2020, sooner than the period assumed in MP-2014. Adopting the new mortality assumptions in 2014 caused an increase in our pension obligations and an actuarial loss of \$83. The actual return on U.S. plan assets provided a partial offset to these losses as it exceeded the assumed return by \$119.

The 2016 actuarial loss is largely the result of decreases in the discount rates used to value our year-end pension obligations. Other elements of the actuarial loss include the impact of using spot rates in 2016 to determine pension service and interest expense. The spot rate approach reduces pension expense but the impact is effectively offset by an increase in the actuarial loss. In the fourth quarter of 2016, the SOA issued new mortality scales (MP-2016) based on historical data through 2013 and preliminary data for 2014. After studying the new data and consulting with our actuarial advisers, we concluded that adopting MP-2016, modified to reflect an LTIR of 0.75% being attained in 2027, was appropriate. This change in assumption did not have a significant impact on the 2016 valuation.

Aggregate funding levels — The following table presents information regarding the aggregate funding levels of our defined benefit pension plans at December 31:

	2016		2015	
	U.S.	Non-U.S.	U.S.	Non-U.S.
Plans with fair value of plan assets in excess of obligations:				
Accumulated benefit obligation	\$ —	\$ 15	\$ —	\$ 10
Projected benefit obligation		15		10
Fair value of plan assets		17		12
Plans with obligations in excess of fair value of plan assets:				
Accumulated benefit obligation	1,682	272	1,692	254
Projected benefit obligation	1,682	294	1,692	278
Fair value of plan assets	1,454	34	1,493	28

Fair value of pension plan assets —

Asset Category	Total	Fair Value Measurements at December 31, 2016					
		U.S.			Non-U.S.		
		Level 1	Level 2	NAV (a)	Level 1	Level 2	Level 3
Equity securities:							
U.S. all cap (b)	\$ 76	\$ 76	\$ —	\$ —	\$ —	\$ —	\$ —
U.S. large cap	102			102			
U.S. small cap	26	26					
EAFE composite	119			119			
Emerging markets	66			66			
Fixed income securities:							
U.S. core bonds (c)	137		67	70			
Corporate bonds	419		198	221			
U.S. Treasury strips	269		269				
Non-U.S. government securities	25					25	
Emerging market debt	65			65			
Alternative investments:							
Hedge fund of funds (d)	66			66			
Insurance contracts (e)	16						16
Real estate	36			36			
Other (f)	10		1			9	
Cash and cash equivalents	73		72			1	
Total	<u>\$ 1,505</u>	<u>\$ 102</u>	<u>\$ 607</u>	<u>\$ 745</u>	<u>\$ —</u>	<u>\$ 35</u>	<u>\$ 16</u>

Asset Category	Fair Value Measurements at December 31, 2015						
	Total	U.S.			Non-U.S.		
		Level 1	Level 2	NAV (a)	Level 1	Level 2	Level 3
Equity securities:							
U.S. all cap (b)	\$ 64	\$ 64	\$ —	\$ —	\$ —	\$ —	\$ —
U.S. large cap	72			72			
U.S. small cap	20	20					
EAFE composite	132			132			
Emerging markets	60			59	1		
Fixed income securities:							
U.S. core bonds (c)	136		65	71			
Corporate bonds	471		248	223			
U.S. Treasury strips	264		264				
Non-U.S. government securities	21					21	
Emerging market debt	64			64			
Alternative investments:							
Hedge fund of funds (d)	75			75			
Insurance contracts (e)	12						12
Real estate	41			41			
Other (f)	16		11			5	
Cash and cash equivalents	85		84			1	
Total	<u>\$ 1,533</u>	<u>\$ 84</u>	<u>\$ 672</u>	<u>\$ 737</u>	<u>\$ 1</u>	<u>\$ 27</u>	<u>\$ 12</u>

Notes:

- Certain assets that are measured at fair value using the net asset value (NAV) per share (or its equivalent) practical expedient have not been classified in the fair value hierarchy.
- This category comprises a combination of small-, mid- and large-cap equity stocks that are allocated at the investment manager's discretion. Investments include common and preferred securities as well as equity funds that invest in these instruments.
- This category represents a combination of investment grade corporate bonds, sovereign bonds, Yankee bonds, asset-backed securities and U.S. government bonds. Investments include fixed income funds that invest in these instruments.
- This category includes fund managers that invest in a well-diversified group of hedge funds where strategies include, but are not limited to, event driven, relative value, long/short market neutral, multistrategy and global macro. Investments may be made directly or through pooled funds.
- This category comprises contracts placed with insurance companies where the underlying assets are invested in fixed interest securities.
- Other assets in the U.S. represent interest rate derivatives which had a market value of \$1 at December 31, 2016 and \$11 at December 31, 2015.

Reconciliation of Level 3 Assets	2016	2015
	Non-U.S. Insurance Contracts	Non-U.S. Insurance Contracts
Fair value at beginning of period	\$ 12	\$ 10
Currency impact		(1)
Transfers into (out of) Level 3	4	3
Fair value at end of period	<u>\$ 16</u>	<u>\$ 12</u>

Our pension assets in the U.S. include certain investments in commingled funds, hedge fund of funds and real estate that are valued using the net asset value (NAV) per share practical expedient. In the past, those investments were classified under the fair value hierarchy. New accounting guidance that became effective at the beginning of 2016 eliminated, on a retrospective basis, the requirement to classify such assets under the fair value hierarchy. We have determined that no Level 3 assets were held by our U.S. pension plans during the period covered by the preceding table and have modified the table accordingly.

Valuation Methods

Equity securities — The fair value of equity securities held directly by the trust is based on quoted market prices. When the equity securities are held in commingled funds that are not publicly traded, the fair value of our interest in the fund is its NAV as determined by quoted market prices for the underlying holdings.

Fixed income securities — The fair value of fixed income securities held directly by the trust is based on a bid evaluation process with input from independent pricing sources. When the fixed income securities are held in commingled funds that are

not publicly traded, the fair value of our interest in the fund is its NAV as determined by a similar valuation of the underlying holdings.

Hedge funds — The fair value of hedge funds is provided by the managers of the underlying investments. Those managers develop a NAV based on market quotes for the most liquid assets and alternative methods for assets that do not have sufficient trading activity to derive prices.

Insurance contracts — The values shown for insurance contracts are the amounts reported by the insurance company and approximate the fair values of the underlying investments.

Real estate — The investments in real estate represent ownership interests in commingled funds and partnerships that invest in real estate. The investment managers determine the NAV of these ownership interests using the fair value of the underlying real estate which is obtained via independent third party appraisals prepared on a periodic basis. Assumptions used to value the properties are updated quarterly. For the component of the real estate portfolio under development, the investments are carried at cost until they are completed and valued by a third party appraiser.

Cash and cash equivalents — The fair value of cash and cash equivalents is set equal to its amortized cost.

The methods described above may produce a fair value that may not be indicative of net realizable value or reflective of future fair values. Furthermore, while we believe the valuation methods are appropriate and consistent with other market participants, the use of different methodologies or assumptions to determine the fair value of certain financial instruments could result in a different fair value measurement at the reporting date.

Investment policy — Target asset allocations of U.S. pension plans are established through an investment policy, which is updated periodically and reviewed by an Investment Committee, comprised of certain company officers and directors. The investment policy allows for a flexible asset allocation mix which is intended to provide appropriate diversification to lessen market volatility while assuming a reasonable level of economic risk.

Our policy recognizes that properly managing the relationship between pension assets and pension liabilities serves to mitigate the impact of market volatility on our funding levels. The investment policy permits plan assets to be invested in a number of diverse categories, including a Growth Portfolio, an Immunizing Portfolio and a Liquidity Portfolio. These sub-portfolios are intended to balance the generation of incremental returns with the management of overall risk.

The Growth Portfolio is invested in a diversified pool of assets in order to generate an incremental return with an acceptable level of risk. The Immunizing Portfolio is a hedging portfolio that may be comprised of fixed income securities and overlay positions. This portfolio is designed to offset changes in the value of the pension liability due to changes in interest rates. The Liquidity Portfolio is a cash portfolio designed to meet short-term liquidity needs and reduce the plans' overall risk. As a result of our diversification strategies, there are no significant concentrations of risk within the portfolio of investments.

The allocations among portfolios may be adjusted to meet changing objectives and constraints. We expect that as the funded status of the plans changes, we will increase or decrease the size of the Growth Portfolio in order to manage the risk of losses in the plan. At December 31, 2016, the Growth Portfolio (U.S. and non-U.S. equities, core and high-yield fixed income, hedge fund of funds, real estate, emerging market debt and cash) comprises 47% of total assets, the Immunizing Portfolio (long duration U.S. Treasury strips, corporate bonds and cash) comprises 51% and the Liquidity Portfolio (cash and short-term securities) comprises 2%. During 2016, the mid-points of the target ranges were 50.5% for the Growth Portfolio, 48.5% for the Immunizing Portfolio and 5% for the Liquidity Portfolio.

Significant assumptions — The significant weighted-average assumptions used in the measurement of pension benefit obligations at December 31 of each year and the net periodic benefit cost for each year are as follows:

	2016		2015		2014	
	U.S.	Non-U.S.	U.S.	Non-U.S.	U.S.	Non-U.S.
Pension benefit obligations:						
Discount rate	3.92%	2.48%	4.13%	2.83%	3.81%	3.75%
Net periodic benefit cost:						
Discount rate	3.29%	2.56%	3.81%	3.75%	4.63%	4.15%
Rate of compensation increase	N/A	3.12%	N/A	4.83%	N/A	3.77%
Expected return on plan assets	6.50%	5.42%	7.00%	5.87%	7.00%	3.41%

The pension plan discount rate assumptions are evaluated annually in consultation with our outside actuarial advisers. Long-term interest rates on high quality corporate debt instruments are used to determine the discount rate. For our largest plans, discount rates are developed using a discounted bond portfolio analysis, with appropriate consideration given to defined benefit payment terms and duration of the liabilities.

We have historically estimated the interest and service cost components of net periodic benefit cost for pension and other postretirement benefits using a single weighted-average discount rate derived from the yield curve used to measure the benefit obligation of the plan at the most recent remeasurement date. At December 31, 2015, we changed the method used to estimate those interest and service components for pension and other postretirement benefit plans that utilize a yield curve approach. The new method uses a full yield curve approach to estimate the interest and service components by applying the specific spot rates along the yield curve used in the most recent remeasurement of the benefit obligation to the relevant projected cash flows. We believe this method improves the correlation between the projected cash flows and the corresponding interest rates and provides a more precise measurement of interest and service costs. This change in accounting estimate affected the calculation of the interest and service components of net periodic benefit cost, reducing the total for 2016 by \$16. Since the remeasurement of total benefit obligations is not affected, the 2016 reduction in periodic benefit cost was offset by an increase in the actuarial loss.

The expected rate of return on plan assets was selected on the basis of our long-term view of return and risk assumptions for major asset classes. We define long-term as forecasts that span at least the next ten years. Our long-term outlook is influenced by a combination of return expectations by individual asset class, actual historical experience and our diversified investment strategy. We consult with and consider the opinions of financial professionals in developing appropriate capital market assumptions. Return projections are also validated using a simulation model that incorporates yield curves, credit spreads and risk premiums to project long-term prospective returns. The appropriateness of the expected rate of return is assessed on an annual basis and revised if necessary. We have a high percentage of total assets in fixed income securities since the benefit accruals are frozen for all of our U.S. pension plans. Based on this assessment, we have selected a 6.00% expected return on asset assumption for 2017 for our U.S. plans.

The significant weighted-average assumptions used in the measurement of OPEB obligations at December 31 of each year and the net periodic benefit cost for each year are as follows:

	2016	2015	2014
	Non-U.S.	Non-U.S.	Non-U.S.
OPEB benefit obligations:			
Discount rate	3.69%	3.96%	3.84%
Net periodic benefit cost:			
Discount rate	3.45%	3.84%	4.65%
Initial health care cost trend rate	5.32%	5.62%	5.91%
Ultimate health care cost trend rate	5.02%	5.03%	5.02%
Year ultimate reached	2018	2018	2018

The discount rate selection process was similar to the process used for the pension plans. Assumed health care cost trend rates have a significant effect on the health care obligation. To determine the trend rates, consideration is given to the plan design, recent experience and health care economics.

A one-percentage-point change in assumed health care cost trend rates would have the following effects for 2016:

	1% Point Increase	1% Point Decrease
Effect on total of service and interest cost components	\$ 1	\$ (1)
Effect on OPEB obligations	10	(9)

Estimated future benefit payments and contributions — Expected benefit payments by our pension and OPEB plans for each of the next five years and for the following five-year period are as follows:

Year	Pension Benefits		OPEB
	U.S.	Non-U.S.	Non-U.S.
2017	\$ 126	\$ 12	\$ 4
2018	120	14	5
2019	118	14	5
2020	114	15	5
2021	113	15	5
2022 to 2026	537	89	26
Total	\$ 1,128	\$ 159	\$ 50

Pension benefits are funded through deposits with trustees that satisfy, at a minimum, the applicable funding regulations. OPEB benefits are funded as they become due. Projected contributions to be made during 2017 to the defined benefit pension plans are \$12 for our non-U.S. plans. Based on the current funded status of our U.S. plans, there are no minimum contributions required for 2017.

Multi-employer pension plans — We participate in the Steelworkers Pension Trust (SPT) multi-employer pension plan which provides pension benefits to substantially all of our U.S. union-represented employees. We also have a small participation in the IAM National Pension Fund. Benefit levels are set by trustees who manage the plans. Contributions are made in accordance with our collective bargaining agreements and rates are generally based on hours worked. The collective bargaining agreement expires May 31, 2017. The trustees of the SPT have provided us with the latest data available for the plan year ended December 31, 2016. As of that date, the plan is not fully funded. We could be held liable to the plan for our obligations as well as those of other employers as a result of our participation in the plan. Contribution rates could increase if the plan is required to adopt a funding improvement plan or a rehabilitation plan, if the performance of plan assets does not meet expectations or as a result of future collectively bargained wage and benefit agreements. If we choose to stop participating in the plan, we may be required to pay the plan an amount based on the underfunded status of the plan, referred to as a withdrawal liability.

The Pension Protection Act (PPA) defines a zone status for each plan. Plans in the green zone are at least 80% funded, plans in the yellow zone are at least 65% funded and plans in the red zone are generally less than 65% funded. The SPT plan has utilized extended amortization provisions to amortize its losses from 2008. The plan recertified its zone status after using the extended amortization provisions as allowed by law. The SPT plan has not implemented a funding improvement or rehabilitation plan, nor are such plans pending. Our contributions to the SPT have not exceeded 5% of the total contributions to the plan.

Pension Fund	Employer Identification Number/ Plan Number	PPA Zone Status		Funding Plan Pending/ Implemented	Contributions by Dana			Surcharge Imposed
		2016	2015		2016	2015	2014	
SPT	23-6648508 / 499	Green	Green	No	\$ 10	\$ 10	\$ 9	No

Note 12. Marketable Securities

	2016			2015		
	Cost	Unrealized Gains (Losses)	Fair Value	Cost	Unrealized Gains (Losses)	Fair Value
U.S. government securities	\$ 2	\$ —	\$ 2	\$ 38	\$ —	\$ 38
Corporate securities	2		2	42		42
Certificates of deposit	22		22	18		18
Other	4		4	62	2	64
Total marketable securities	<u>\$ 30</u>	<u>\$ —</u>	<u>\$ 30</u>	<u>\$ 160</u>	<u>\$ 2</u>	<u>\$ 162</u>

U.S. government securities include bonds issued by government-sponsored agencies and Treasury notes. Corporate securities include primarily debt securities. Other consists of investments in mutual and index funds. U.S. government securities, corporate debt and certificates of deposit maturing in one year or less and after one year through five years total \$22 and \$4 at December 31, 2016. The divestiture of DCLLC caused a substantial reduction in marketable securities in the current year. See Note 3 for additional information.

Note 13. Financing Agreements

Long-term debt at December 31 —

	Interest Rate	2016		2015	
		Principal	Unamortized Debt Issue Costs	Principal	Unamortized Debt Issue Costs
Senior Notes due February 15, 2021	6.750%	\$ —	\$ —	\$ 350	\$ (4)
Senior Notes due September 15, 2021	5.375%	450	(5)	450	(6)
Senior Notes due September 15, 2023	6.000%	300	(4)	300	(5)
Senior Notes due December 15, 2024	5.500%	425	(6)	425	(6)
Senior Notes due June 1, 2026	6.500% *	375	(6)		
Other indebtedness		120		66	
Total		<u>\$ 1,670</u>	<u>\$ (21)</u>	<u>\$ 1,591</u>	<u>\$ (21)</u>

* In conjunction with the issuance of the June 2026 Notes we entered into two 10-year fixed-to-fixed cross-currency swaps which have the effect of economically converting the June 2026 Notes to euro denominated debt at a fixed rate of 5.140%. See Note 14 for additional information.

Interest on the senior notes is payable semi-annually. Other indebtedness includes borrowings from various financial institutions, capital lease obligations, the unamortized fair value adjustment related to a terminated interest rate swap and the financial liability related to a build-to-suit lease. See Note 14 for additional information on the terminated interest rate swap. During the third quarter of 2015, we reversed the \$6 embedded capital lease obligation associated with our exclusive long-term supply agreement with SIFCO. See Note 3 for additional information.

Scheduled principal payments on long-term debt at December 31, 2016 —

	2017	2018	2019	2020	2021	Thereafter	Total
Debt maturities	\$ 45	\$ 55	\$ 3	\$ —	\$ 450	\$ 1,100	\$ 1,653

Senior notes activity — On June 23, 2016, we redeemed all of our February 2021 Notes at a price equal to 103.375% plus accrued and unpaid interest. The \$16 loss on extinguishment of debt includes the \$12 redemption premium and the \$4 write-off of previously deferred financing costs associated with the February 2021 Notes.

On May 27, 2016, Dana Financing Luxembourg S.à r.l., a wholly-owned subsidiary of Dana, issued \$375 in senior notes (June 2026 Notes). The June 2026 Notes were issued through a private placement and will not be registered under the U.S. Securities Act of 1933, as amended (the Securities Act). The June 2026 Notes were offered only to qualified institutional buyers in reliance on Rule 144A under the Securities Act and, outside the United States, only to non-U.S. investors in reliance on Regulation S under the Securities Act. The June 2026 Notes rank equally with Dana's other unsecured senior notes. Interest on the notes is payable on June 15 and December 15 of each year, beginning on December 15, 2016. The June 2026 Notes will

mature on June 1, 2026. Net proceeds of the offering totaled \$368. Financing costs of \$7 were recorded as deferred costs and are being amortized to interest expense over the life of the notes. The proceeds from the offering were used to redeem our February 2021 Notes, to pay related fees and expenses and for general corporate purposes.

In December 2014, we completed the sale of \$425 in senior unsecured notes. Net proceeds of the offering totaled \$418. Financing costs of \$7 were recorded as deferred costs and are being amortized to interest expense over the life of the notes. The proceeds from the offering were used to redeem our February 2019 Notes.

During December 2014, we redeemed \$345 of our February 2019 Notes pursuant to a tender offer at a weighted average price equal to 104.116% plus accrued and unpaid interest. The \$19 loss on extinguishment of debt recorded in December 2014 includes the redemption premium and transaction costs associated with the tender offer and the write-off of \$4 of previously deferred financing costs associated with the February 2019 Notes.

On December 9, 2014, we elected to redeem \$40 of our February 2019 Notes effective January 8, 2015 at a price equal to 103.000% plus accrued and unpaid interest. On March 16, 2015, we redeemed the remaining \$15 of our February 2019 Notes at a price equal to 103.250% plus accrued and unpaid interest. The \$2 loss on extinguishment of debt includes the redemption premium and the write-off of previously deferred financing costs associated with the February 2019 Notes.

Senior notes redemption provisions — We may redeem some or all of the senior notes at the following redemption prices (expressed as percentages of principal amount), plus accrued and unpaid interest to the redemption date, if redeemed during the 12-month period commencing on the anniversary date of the senior notes in the years set forth below:

Year	Redemption Price			
	September 2021 Notes	September 2023 Notes	December 2024 Notes	June 2026 Notes
2017	102.688%			
2018	101.344%	103.000%		
2019	100.000%	102.000%	102.750%	
2020	100.000%	101.000%	101.833%	
2021		100.000%	100.917%	103.250%
2022		100.000%	100.000%	102.167%
2023			100.000%	101.083%
2024				100.000%
2025				100.000%

Prior to September 15, 2018 for the September 2023 Notes, we may redeem some or all of such notes at a price equal to the principal amount thereof, plus accrued and unpaid interest, plus a “make-whole” premium. We have not separated the make-whole premium from the underlying debt instrument to account for it as a derivative instrument as the economic characteristics and the risks of this embedded derivative are clearly and closely related to the economic characteristics and risks of the underlying debt.

Prior to December 15, 2019, we may redeem some or all of the December 2024 Notes at a price equal to the principal amount thereof, plus accrued and unpaid interest, plus a “make-whole” premium. We have not separated the make-whole premium from the underlying debt instrument to account for it as a derivative instrument as the economic characteristics and the risks of this embedded derivative are clearly and closely related to the economic characteristics and risks of the underlying debt.

At any time prior to December 15, 2017, we may redeem up to 35% of the original aggregate principal amount of the December 2024 Notes in an amount not to exceed the amount of proceeds of one or more equity offerings, at a price equal to 105.500% of the principal amount of such notes, plus accrued and unpaid interest thereon, provided that at least 50% of the original aggregate principal amount of the December 2024 Notes remains outstanding after giving effect to any such redemption.

At any time prior to June 1, 2019, we may redeem up to 35% of the aggregate principal amount of the June 2026 Notes in an amount not to exceed the amount of proceeds of one or more equity offerings, at a price equal to 106.500% of the principal amount thereof, plus accrued and unpaid interest, if any, to the redemption date, provided that at least 50% of the original aggregate principal amount of the June 2026 Notes remains outstanding after the redemption.

Prior to June 1, 2021, we may redeem some or all of the June 2026 Notes at a redemption price of 100.000% of the aggregate principal amount thereof, plus accrued and unpaid interest, if any, to the redemption date plus a “make-whole” premium. We have not separated the make-whole premium from the underlying debt instrument to account for it as a derivative instrument as the economic characteristics and the risks of this embedded derivative are clearly and closely related to the economic characteristics and risks of the underlying debt.

Revolving facility — On June 9, 2016, we entered into a new \$500 revolving credit facility (the Revolving Facility) which matures on June 9, 2021. The Revolving Facility refinanced and replaced our previous revolving credit facility. In connection with the Revolving Facility, we paid \$3 in deferred financing costs to be amortized to interest expense over the life of the facility. We wrote off \$1 of previously deferred financing costs associated with our prior revolving credit facility to loss on extinguishment of debt. Deferred financing costs on our Revolving Facility are included in other noncurrent assets.

The Revolving Facility is guaranteed by all of our wholly-owned domestic subsidiaries, subject to certain exceptions, including exceptions for Dana Credit Corporation and its subsidiaries (the guarantors), and grants a first-priority lien on substantially all of the assets of Dana and the guarantors, subject to certain exceptions.

Advances under the Revolving Facility bear interest at a floating rate based on, at our option, the base rate or Eurodollar rate (each as described in the revolving credit agreement) plus a margin as set forth below:

Total Net Leverage Ratio	Margin	
	Base Rate	Eurodollar Rate
Less than or equal to 1.00:1.00	0.50%	1.50%
Greater than 1.00:1.00 but less than or equal to 2.00:1.00	0.75%	1.75%
Greater than 2.00:1.00	1.00%	2.00%

Commitment fees are applied based on the average daily unused portion of the available amounts under the Revolving Facility as set forth below:

Total Net Leverage Ratio	Commitment Fee
Less than or equal to 1.00:1.00	0.250%
Greater than 1.00:1.00 but less than or equal to 2.00:1.00	0.375%
Greater than 2.00:1.00	0.500%

Up to \$275 of the Revolving Facility may be applied to letters of credit, which reduces availability. We pay a fee for issued and undrawn letters of credit in an amount per annum equal to the applicable margin for Eurodollar rate advances based on a quarterly average availability under issued and undrawn letters of credit under the revolving facility and a per annum fronting fee of 0.125%, payable quarterly.

There were no borrowings under the Revolving Facility at December 31, 2016 but we had utilized \$22 for letters of credit. We had availability at December 31, 2016 under the Revolving Facility of \$478 after deducting the outstanding letters of credit.

Debt covenants — At December 31, 2016, we were in compliance with the covenants of our financing agreements. Under the Revolving Facility and the senior notes, we are required to comply with certain incurrence-based covenants customary for facilities of these types and, in the case of the Revolving Facility, a maintenance covenant requiring us to maintain a first lien net leverage ratio not to exceed 2.00 to 1.00.

Note 14. Fair Value Measurements and Derivatives

In measuring the fair value of our assets and liabilities, we use market data or assumptions that we believe market participants would use in pricing an asset or liability including assumptions about risk when appropriate. Our valuation techniques include a combination of observable and unobservable inputs.

Fair value measurements on a recurring basis — Assets and liabilities that are carried in our balance sheet at fair value are as follows:

	Total	Fair Value Measurements Using	
		Quoted Prices in Active Markets (Level 1)	Significant Other Observable Inputs (Level 2)
December 31, 2016			
Marketable securities	\$ 30	\$ 4	\$ 26
Currency forward contracts - Accounts receivable other			
Cash flow hedges	2		2
Undesignated	1		1
Currency forward contracts - Other accrued liabilities			
Cash flow hedges	4		4
Undesignated	1		1
Currency swaps - Other accrued liabilities			
Undesignated	3		3
Currency swaps - Other noncurrent liabilities			
Cash flow hedges	12		12
December 31, 2015			
Marketable securities	\$ 162	\$ 64	\$ 98
Currency forward contracts - Accounts receivable other			
Cash flow hedges	1		1
Undesignated	2		2
Currency forward contracts - Other accrued liabilities			
Cash flow hedges	5		5
Undesignated	1		1
Currency swaps - Accounts receivable other			
Undesignated	4		4
Currency swaps - Other accrued liabilities			
Undesignated	9		9

Fair value of financial instruments — The financial instruments that are not carried in our balance sheet at fair value are as follows:

	2016		2015	
	Carrying Value	Fair Value	Carrying Value	Fair Value
Senior notes	\$ 1,550	\$ 1,612	\$ 1,525	\$ 1,552
Other indebtedness*	120	101	66	56
Total	\$ 1,670	\$ 1,713	\$ 1,591	\$ 1,608

* The carrying value includes the unamortized portion of a fair value adjustment related to a terminated interest rate swap at both dates. At December 31, 2016, the carrying value and fair value also include a financial liability associated with a build-to-suit lease arrangement.

The fair value of our senior notes is estimated based upon a market approach (Level 2) while the fair value of our other indebtedness is based upon an income approach (Level 2). See Note 13 for additional information about financing arrangements.

Fair value measurements on a nonrecurring basis — Certain assets are measured at fair value on a nonrecurring basis. These are long-lived assets that are subject to fair value adjustments only in certain circumstances. These assets include intangible assets and property, plant and equipment which may be written down to fair value when they are held for sale or as a result of impairment.

Interest rate derivatives — Our portfolio of derivative financial instruments periodically includes interest rate swaps designed to mitigate our interest rate risk. As of December 31, 2016, no fixed-to-floating interest rate swaps remain outstanding.

However, a \$7 fair value adjustment to the carrying amount of our December 2024 Notes, associated with a fixed-to-floating interest rate swap that had been executed but was subsequently terminated during 2015, remains deferred at December 31, 2016. This amount is being amortized as a reduction of interest expense through the period ending December 2024, the scheduled maturity date of the December 2024 Notes. Approximately \$1 was amortized as a reduction of interest expense during 2016.

Foreign currency derivatives — Our foreign currency derivatives include forward contracts associated with forecasted transactions, primarily involving the purchases and sales of inventory through the next twelve months, as well as currency swaps associated with certain recorded external notes payable and intercompany loans receivable and payable. Periodically, our foreign currency derivatives also include net investment hedges of certain of our investments in foreign operations.

During May 2016, in conjunction with the issuance of the U.S. dollar-denominated June 2026 Notes by euro-functional Dana Financing Luxembourg S.à r.l. (euro-functional subsidiary), we executed two fixed-to-fixed cross-currency swaps with the same critical terms as the June 2026 Notes to eliminate the variability in the functional-currency-equivalent cash flows due to changes in the U.S. dollar / euro exchange rates associated with the forecasted principal and interest payments. Designated as a cash flow hedge of the forecasted principal and interest payments of the June 2026 Notes, or subsequent replacement debt, the swaps economically convert the June 2026 Notes from \$375 of U.S. dollar-denominated debt at a fixed rate of 6.500% to €338 of euro-denominated debt at a fixed rate of 5.140%. The June 2026 Notes and any subsequent replacement debt have both been designated as the hedged items (collectively, the "designated debt") in the cash flow hedge relationship. See Note 13 for additional information about the June 2026 Notes.

The swaps are expected to be highly effective in offsetting the corresponding currency-based changes in cash outflows related to the designated debt. Based on our qualitative assessment that the critical terms of the June 2026 Notes and the swaps match and that all other required criteria have been met, we do not expect to incur any ineffectiveness. As an effective cash flow hedge, changes in the fair value of the swaps will be recorded in OCI during each period. Additionally, to the extent the swaps remain effective, the appropriate portion of AOCI will be reclassified to earnings each period as an offset to the foreign exchange gain or loss resulting from the remeasurement of the underlying U.S. dollar-denominated debt by the euro-functional subsidiary.

In the event our ongoing assessment demonstrates that the critical terms of either the swaps or the designated debt have changed, or that there have been adverse developments regarding counterparty risk, we will use the long haul method to assess ineffectiveness of the hedging relationship. To the extent the swaps are no longer effective, changes in their fair values will be recorded in earnings. During 2016, a deferred loss of \$32 associated with the fixed-to-fixed cross-currency swaps was recorded in OCI and reflects \$12 as the unfavorable fair value of the swaps and a \$20 reclassification from AOCI to earnings. The reclassification from AOCI to earnings represents an offset to a foreign exchange remeasurement loss on the designated debt for the year ended December 31, 2016.

The total notional amount of outstanding foreign currency forward contracts, involving the exchange of various currencies, was \$143 at December 31, 2016 and \$212 at December 31, 2015. The total notional amount of outstanding foreign currency swaps, including the fixed-to-fixed cross-currency swaps, was \$571 at December 31, 2016 and \$219 at December 31, 2015.

The following currency derivatives were outstanding at December 31, 2016:

Functional Currency	Traded Currency	Notional Amount (U.S. Dollar Equivalent)			
		Designated as Cash Flow Hedges	Undesignated	Total	Maturity
U.S. dollar	Mexican peso, Euro	\$ 47	\$ 1	\$ 48	Nov-17
Euro	U.S. dollar, Canadian dollar, Hungarian forint, British pound, Swiss franc, Indian rupee, Russian ruble	29	5	34	Jun-18
British pound	U.S. dollar, Euro	4		4	Sep-17
Swedish krona	Euro	13		13	Dec-17
South African rand	U.S. dollar, Euro, Thai baht		14	14	May-17
Canadian dollar	U.S. dollar		5	5	Dec-17
Thai baht	U.S. dollar, Australian dollar		9	9	Jun-17
Brazilian real	U.S. dollar, Euro		2	2	Nov-17
Indian rupee	U.S. dollar, British pound, Euro		14	14	Dec-17
Total forward contracts		<u>93</u>	<u>50</u>	<u>143</u>	
U.S. dollar	Mexican peso, Euro, Canadian dollar		171	171	Dec-17
Euro	U.S. dollar, British pound	375	18	393	Jun-26
South African rand	U.S. dollar		7	7	Mar-17
Total currency swaps		<u>375</u>	<u>196</u>	<u>571</u>	
Total currency derivatives		<u>\$ 468</u>	<u>\$ 246</u>	<u>\$ 714</u>	

Cash flow hedges — With respect to contracts designated as cash flow hedges, changes in fair value during the period in which the contracts remain outstanding are reported in OCI to the extent such contracts remain effective. Effectiveness is measured by using regression analysis to determine the degree of correlation between the change in the fair value of the derivative instrument and the change in the associated foreign currency exchange rates. Changes in fair value of contracts not designated as cash flow hedges or as net investment hedges are recognized in Other income, net in the period in which the changes occur. Realized gains and losses from currency-related forward contracts, including those that have been designated as cash flow hedges and those that have not been designated, are recognized in Other income, net.

Net investment hedges — With respect to contracts designated as net investment hedges, we apply the forward method and report changes in fair value in the CTA component of OCI during the period in which the contracts remain outstanding to the extent such contracts remain effective.

During the second quarter of 2015, we settled a \$98 forward contract that had been executed and designated as a net investment hedge of the equivalent portion of certain of our European operations during the first quarter of 2015. Although no net investment hedges remain outstanding at December 31, 2016, a deferred loss of \$2 associated with this settled contract has been recorded in AOCI as of that date and will remain deferred until such time as the investment in the associated subsidiary is substantially liquidated.

Amounts to be reclassified to earnings — Deferred gains or losses associated with effective cash flow hedges of forecasted transactions are reported in AOCI and are reclassified to earnings in the same periods in which the underlying transactions affect earnings. Amounts expected to be reclassified to earnings assume no change in the current hedge relationships or to December 31, 2016 exchange rates. Deferred losses of \$2 at December 31, 2016 are expected to be reclassified to earnings during the next twelve months, compared to deferred losses of \$4 at December 31, 2015. Amounts reclassified from AOCI to earnings arising from the discontinuation of cash flow hedge accounting treatment were not material during 2016.

Note 15. Commitments and Contingencies

Asbestos personal injury liabilities — As part of our reorganization in 2008, assets and liabilities associated with personal injury asbestos claims were retained in Dana Corporation which was then merged into Dana Companies, LLC (DCLLC), a consolidated wholly-owned limited liability company. The assets of DCLLC included insurance rights relating to coverage against personal injury asbestos claims, marketable securities and other assets which were considered sufficient to satisfy its liabilities. As described in Note 3 of the financial statements, DCLLC was divested on December 30, 2016. Following completion of the sale, Dana has no obligation with respect to current or future asbestos claims.

DCLLC had approximately 25,000 active pending asbestos personal injury liability claims at December 31, 2015. DCLLC had \$78 accrued for indemnity and defense costs for settled, pending and future claims at December 31, 2015. A fifteen-year time horizon was used to estimate the value of this liability. In addition to claims and litigation experience, we considered additional qualitative and quantitative factors such as changes in legislation, the legal environment, our strategy in managing claims and obtaining insurance, including our defense strategy, and health related trends in the overall population of individuals potentially exposed to asbestos in determining whether a change in the estimate of its liability for pending and future claims and defense costs or insurance assets was warranted.

At December 31, 2015, DCLLC had \$51 recorded as an asset for probable recovery from insurers for the pending and projected asbestos personal injury liability claims. The recorded asset represented our assessment of the capacity of our insurance agreements to provide for the payment of anticipated defense and indemnity costs for pending claims and projected future demands. The recognition of these recoveries was based on our assessment of our right to recover under the respective contracts and on the financial strength of the insurers. DCLLC had coverage agreements in place with insurers confirming substantially all of the related coverage and payments were being received on a timely basis. The financial strength of these insurers was reviewed at least annually with the assistance of a third party. The recorded asset did not represent the limits of our insurance coverage, but rather the amount DCLLC would expect to recover if the accrued indemnity and defense costs were paid in full.

Other product liabilities — We had accrued \$5 and \$1 for non-asbestos product liability costs at December 31, 2016 and 2015 and \$4 of recovery expected from third parties at December 31, 2016. The increases in the liability and recoverable amounts at December 31, 2016 largely reflect the recognition of the estimated cost, net of payments made, and the expected recovery of an insured matter. We estimate these liabilities based on assumptions about the value of the claims and about the likelihood of recoveries against us derived from our historical experience and current information.

Environmental liabilities — Accrued environmental liabilities were \$8 at December 31, 2016 and \$11 at December 31, 2015. The decline during 2016 reflects the impact of the sale of Dana Companies, LLC and the associated environmental liabilities thereof. We consider the most probable method of remediation, current laws and regulations and existing technology in estimating our environmental liabilities.

Guarantee of lease obligations — In connection with the divestiture of our Structural Products business in 2010, leases covering three U.S. facilities were assigned to a U.S. affiliate of Metalsa. Under the terms of the sale agreement, we will guarantee the affiliate's performance under the leases, which run through June 2025, including approximately \$6 of annual payments. In the event of a required payment by Dana as guarantor, we are entitled to pursue full recovery from Metalsa of the amounts paid under the guarantee and to take possession of the leased property.

Other legal matters — We are subject to various pending or threatened legal proceedings arising out of the normal course of business or operations. In view of the inherent difficulty of predicting the outcome of such matters, we cannot state what the eventual outcome of these matters will be. However, based on current knowledge and after consultation with legal counsel, we believe that any liabilities that may result from these proceedings will not have a material adverse effect on our liquidity, financial condition or results of operations.

In November 2013, we received an arbitration notice from Sypris Solutions, Inc. (Sypris), formerly our largest supplier, alleging damage claims under the long-term supply agreement that expired on December 31, 2014. The arbitration proceedings related to these claims concluded in the second quarter of 2015 with Sypris being awarded immaterial damages. Sypris also alleged that Dana and Sypris entered into a new binding long-term supply agreement in July 2013. Dana filed suit against Sypris requesting declaratory judgment that the parties did not enter into a new supply agreement. During the first quarter of 2015, the court granted summary judgment in Dana's favor, rejecting Sypris' position that a new contract was formed in July 2013. The Ohio Sixth District Court of Appeals upheld the summary judgment ruling in December 2015 and

that decision is no longer subject to appeal. We have been advised that Sypris will not pursue its claim that Dana failed to negotiate in good faith under the 2007 agreement.

On September 25, 2015, the Brazilian antitrust authority (“CADE”) announced an investigation of an alleged cartel involving a former Dana business in Brazil and various competitors related to sales of shock absorbers between 2000 and 2014. We divested this business as a part of the sale of our aftermarket business in 2004. The investigation of Dana's involvement in this matter concluded in the second quarter of 2016 without a material impact on Dana.

Lease commitments — Cash obligations under future minimum rental commitments under operating leases and net rental expense are shown in the table below. Operating lease commitments are primarily related to facilities, including the two facilities associated with the SJT Forjaria Ltda. acquisition.

	2017	2018	2019	2020	2021	Thereafter	Total
Lease commitments	\$ 38	\$ 34	\$ 29	\$ 24	\$ 21	\$ 68	\$ 214
					2016	2015	2014
Rent expense					\$50	\$49	\$51

Note 16. Warranty Obligations

We record a liability for estimated warranty obligations at the dates our products are sold. We record the liability based on our estimate of costs to settle future claims. Adjustments to our estimated costs at time of sale are made as claim experience and other new information becomes available. Obligations for service campaigns and other occurrences are recognized as adjustments to prior estimates when the obligation is probable and can be reasonably estimated.

Changes in warranty liabilities —

	2016	2015	2014
Balance, beginning of period	\$ 56	\$ 47	\$ 54
Amounts accrued for current period sales	25	26	19
Adjustments of prior estimates	26	22	18
Settlements of warranty claims	(41)	(36)	(41)
Currency impact		(3)	(3)
Balance, end of period	<u>\$ 66</u>	<u>\$ 56</u>	<u>\$ 47</u>

Note 17. Income Taxes

Income tax expense (benefit) attributable to continuing operations —

	2016	2015	2014
Current			
U.S. federal and state	\$ (18)	\$ 12	\$ (5)
Non-U.S.	74	80	134
Total current	<u>56</u>	<u>92</u>	<u>129</u>
Deferred			
U.S. federal and state	(497)	(9)	(177)
Non-U.S.	17	(1)	(22)
Total deferred	<u>(480)</u>	<u>(10)</u>	<u>(199)</u>
Total expense (benefit)	<u>\$ (424)</u>	<u>\$ 82</u>	<u>\$ (70)</u>

We record interest and penalties related to uncertain tax positions as a component of income tax expense or benefit. Net interest expense for the periods presented herein is not significant.

Income from continuing operations before income taxes —

	2016	2015	2014
U.S. operations	\$ (56)	\$ 72	\$ 175
Non-U.S. operations	271	220	85
Income from continuing operations before income taxes	<u>\$ 215</u>	<u>\$ 292</u>	<u>\$ 260</u>

Income tax audits — We conduct business globally and, as a result, file income tax returns in multiple jurisdictions that are subject to examination by taxing authorities throughout the world. With few exceptions, we are no longer subject to U.S. federal, state and local or foreign income tax examinations for years before 2009. The U.S. federal income tax audits for 2011 and 2012 were settled during the first quarter of 2015, resulting in no incremental cash taxes.

We are currently under audit by U.S. and foreign authorities for certain taxation years. When the issues related to these periods are settled, the total amounts of unrecognized tax benefits for all open tax years may be modified. Audit outcomes and the timing of the audit settlements are subject to uncertainty and we cannot make an estimate of the impact on our financial position at this time.

Effective tax rate reconciliation for continuing operations —

	2016	2015	2014
U.S. federal income tax rate	35 %	35%	35 %
Adjustments resulting from:			
State and local income taxes, net of federal benefit	5	(1)	4
Non-U.S. income (expense)	(15)	(11)	(7)
Credits and tax incentives	(5)	(4)	(6)
U.S. tax on non-U.S. earnings	(19)	9	(16)
Intercompany sale of certain operating assets	5	9	
Settlement and return adjustments	14	1	17
Enacted change in tax rates	4		
Venezuela write-down			10
Miscellaneous items	2	5	2
Valuation allowance adjustments	(222)	(15)	(66)
Effective income tax rate for continuing operations	<u>(196)%</u>	<u>28%</u>	<u>(27)%</u>

In the fourth quarter of 2016, we determined that valuation allowances against U.S. deferred taxes were no longer required. Release of these valuation allowances resulted in \$501 of tax benefit. Additionally, developments in Brazil led to our determination that an allowance against certain deferred taxes in that country was appropriate, and we recognized tax expense of \$25 to establish this valuation allowance. Excluding the effects of the valuation allowance adjustments, the effective tax rate was 26% in 2016, which varies from the U.S. federal statutory rate of 35% primarily due to nondeductible expenses, different statutory tax rates outside the U.S. and withholding taxes.

In 2014, income tax expense in the U.S. was reduced by \$179 for release of valuation allowances for income forecasted to be realized in 2015 in connection with a tax planning action that involved a sale of an affiliate's stock and certain operating assets by a U.S. subsidiary of the company to a non-U.S. affiliate expected to be completed in 2015. During the fourth quarter of 2015, the tax planning action was completed. The final income generated by the transaction was higher than anticipated as a consequence of proposed Internal Revenue Service regulations issued in 2015 providing guidance on the tax treatment afforded a component of the tax planning action we undertook, as well as revised income estimates, which resulted in an additional \$66 release of valuation allowance. In conjunction with the completion of the intercompany sale of certain operating assets to a non-U.S. affiliate, a prepaid tax asset of \$190 was recorded. The prepaid tax asset represents the usage of tax attributes recognized in 2014 and 2015, through the release of valuation allowance on our deferred tax assets, and is being amortized into tax expense over the life of the assets transferred in the transaction. We recognized tax expense of \$11 and \$2 in 2016 and 2015 as a result of this amortization. In addition, we recognized tax expense of \$23 in 2015 related to the sale of the affiliate's stock.

No tax benefit was recognized on a charge of \$80 in 2014 relating to the divestiture of our Venezuela operations due to the existence of a valuation allowance, resulting in an increase in the effective tax rate.

Foreign income repatriation — We provide for U.S. federal income and non-U.S. withholding taxes on the earnings of our non-U.S. operations that are not considered to be permanently reinvested. Accordingly, we continue to analyze and adjust the estimated tax impact of the income and non-U.S. withholding liabilities based on the amount and source of these earnings. We recognized net benefit of \$58 for 2016 and expense of \$1 and \$3 for 2015 and 2014 related to future income taxes and non-U.S. withholding taxes on repatriations from operations that are not permanently reinvested. We also paid withholding taxes of \$6, \$7 and \$7 during 2016, 2015 and 2014 related to the actual transfer of funds to the U.S. The unrecognized tax liability associated with the operations in which we are permanently reinvested is \$30 at December 31, 2016.

The earnings of our non-U.S. subsidiaries will likely be repatriated to the U.S. in the form of repayments of intercompany borrowings and distributions from earnings. Certain of our international operations had intercompany loan obligations to the U.S. totaling \$978 at the end of 2016. Included in this amount are intercompany loans and related interest accruals with an equivalent value of \$32 which are denominated in a foreign currency and considered to be permanently invested.

Valuation allowance adjustments — We have recorded valuation allowances in several entities where the recent history of operating losses does not allow us to satisfy the “more likely than not” criterion for the recognition of deferred tax assets. Consequently, there is no income tax expense or benefit recognized on the pre-tax income or losses in these jurisdictions as valuation allowances are adjusted to offset the associated tax expense or benefit.

When evaluating the need for a valuation allowance we consider all components of comprehensive income, and we weigh the positive and negative evidence, putting greater reliance on objectively verifiable evidence than on projections of future profitability that are dependent on actions that have not occurred as of the assessment date. We also consider changes to the historical financial results due to activities that were either new to the business or not expected to recur in the future, in order to identify the core earnings of the business. A sustained period of profitability, after considering changes to the historical results due to implemented actions and nonrecurring events, along with positive expectations for future profitability are necessary to reach a determination that a valuation allowance should be released.

Prior to 2016, we carried a valuation allowance against deferred tax assets in the U.S. While our U.S. operations have experienced improved profitability in recent years, our analysis of the income of the U.S. operations, as adjusted for changes in historical results due to developments through 2015, demonstrated historical losses as of December 31, 2015. Additionally, there were considerable uncertainties in the U.S. in certain of our end markets. Therefore, we had not achieved a level of sustained profitability that would, in our judgment, support a release of the valuation allowance prior to 2016.

During the fourth quarter, following the completion of an enterprise wide strategy assessment and our annual one and five year financial plans, the Company assessed the weight of all available positive and negative evidence and determined it was more likely than not that future earnings will be sufficient to realize most of our deferred tax assets in the U.S. Accordingly, we have released the U.S. valuation allowance at December 31, 2016, resulting in an income tax benefit of \$501. In arriving at the conclusion that we had achieved sustained profitability in the U.S., we considered the following positive evidence: we were in a cumulative three-year historical income position in the U.S., we had income in seven of the eight previous quarters; we successfully launched a replacement business for one of our largest customer programs for Light Vehicle in the U.S. with actual volumes and margins which were consistent with our forecast in the fourth quarter; we stabilized our U.S. Commercial Vehicle business despite lower than expected volumes; and, we secured certain new programs with customers that increased our sales backlog in the U.S.

We have retained a valuation allowance of \$137 against deferred tax assets in the U.S. primarily related to state operating loss carryforwards and other credits which do not meet the more likely than not criterion for releasing the valuation allowance.

Our analysis of the operations of a subsidiary in Brazil, adjusted for changes in the historical results due to the effects of developments through the current date and planned future actions, reflects three years of historical cumulative losses and our annual one and five year financial plans forecast continued near term losses. Therefore, we determined it was not more likely than not that future earnings will be sufficient to realize the deferred tax assets. Accordingly, we have recorded a valuation allowance as of December 31, 2016, resulting in income tax expense of \$25.

Deferred tax assets and liabilities — Temporary differences and carryforwards give rise to the following deferred tax assets and liabilities.

	2016	2015
Net operating loss carryforwards	\$ 472	\$ 448
Postretirement benefits, including pensions	152	137
Research and development costs	113	89
Expense accruals	54	58
Other tax credits recoverable	67	63
Capital loss carryforwards	40	50
Inventory reserves	18	15
Postemployment and other benefits	8	5
Other	20	
Total	<u>944</u>	<u>865</u>
Valuation allowance	<u>(285)</u>	<u>(662)</u>
Deferred tax assets	<u>659</u>	<u>203</u>
Unremitted earnings	(27)	(68)
Intangibles	(29)	(29)
Depreciation	(52)	(43)
Other		(27)
Deferred tax liabilities	<u>(108)</u>	<u>(167)</u>
Net deferred tax assets	<u>\$ 551</u>	<u>\$ 36</u>

Carryforwards — Our deferred tax assets include benefits expected from the utilization of net operating loss (NOL), capital loss and credit carryforwards in the future. The following table identifies the net operating loss deferred tax asset components and the related allowances that existed at December 31, 2016. Due to time limitations on the ability to realize the benefit of the carryforwards, additional portions of these deferred tax assets may become unrealizable in the future.

	Deferred Tax Asset	Valuation Allowance	Carryforward Period	Earliest Year of Expiration
Net operating losses				
U.S. federal	\$ 279	\$ —	20	2028
U.S. state	97	(92)	Various	2017
Brazil	38	(38)	Unlimited	
France	11	—	Unlimited	
Australia	31	(31)	Unlimited	
South Africa	2	—	Unlimited	
U.K.	5	(3)	Unlimited	
Argentina	8	(8)	5	2017
China	1	(1)	5	2019
Total	<u>\$ 472</u>	<u>\$ (173)</u>		

In addition to the NOL carryforwards listed in the table above, we have deferred tax assets related to capital loss carryforwards of \$40 which are fully offset with valuation allowances at December 31, 2016. We also have deferred tax assets of \$67 related to other credit carryforwards which are offset with \$23 of valuation allowances at December 31, 2016. The capital losses can be carried forward indefinitely while the other credits are generally available for 10 to 20 years with portions currently expiring. We elected to adopt the new guidance for share based payments in the third quarter of 2016, requiring us to reflect any adjustments as of January 1, 2016 in retained earnings. The primary impact of adopting the new guidance was an increase in deferred tax assets of \$32 related to the cumulative excess tax benefits resulting from share-based payments. Because we continued to carry a valuation allowance against certain of our deferred tax assets in the U.S., the increase in deferred tax assets was offset by an increase in our valuation allowance of \$32, resulting in no impact to retained earnings as of January 1, 2016.

The use of a portion of our \$796 U.S. federal NOL as of December 31, 2016 is subject to limitation due to the change in ownership of our stock upon emergence from bankruptcy. Generally, the application of the relevant Internal Revenue Code (IRC) provisions will release the limitation on \$84 of pre-change NOLs each year, allowing pre-change losses to offset post-change taxable income. Through further evaluation and audit adjustment, and after considering U.S. taxable income in 2016, we estimate that \$577 of our U.S. federal NOLs remains subject to limitation as of December 31, 2016. The remainder of our U.S. federal NOLs represents a combination of post-change NOLs and pre-change NOLs on which the limitation has been released. However, there can be no assurance that trading in our shares will not effect another change in ownership under the IRC which would further limit our ability to utilize our available NOLs.

Unrecognized tax benefits — Unrecognized tax benefits are the difference between a tax position taken, or expected to be taken, in a tax return and the benefit recognized for accounting purposes. Interest income or expense, as well as penalties relating to income tax audit adjustments and settlements, are recognized as components of income tax expense or benefit. Interest of \$7 and \$6 was accrued on the uncertain tax positions at December 31, 2016 and 2015.

Reconciliation of gross unrecognized tax benefits —

	2016	2015	2014
Balance, beginning of period	\$ 87	\$ 109	\$ 101
Decrease related to expiration of statute of limitations	(5)	(6)	(3)
Decrease related to prior years tax positions	(1)	(9)	
Increase related to prior years tax positions	28	1	
Increase related to current year tax positions	8	8	25
Decrease related to settlements		(16)	(14)
Balance, end of period	<u>\$ 117</u>	<u>\$ 87</u>	<u>\$ 109</u>

We anticipate that the change in our gross unrecognized tax benefits as a result of examinations in various jurisdictions will not be significant in the next twelve months. The settlement of these matters will not impact the effective tax rate. Gross unrecognized tax benefits of \$72 would impact the effective tax rate if recognized. If other open matters are settled with the IRS or other taxing jurisdictions, the total amounts of unrecognized tax benefits for open tax years may be modified.

Note 18. Other Income, Net

	2016	2015	2014
Government grants and incentives	\$ 8	\$ 3	\$ 4
Foreign exchange gain (loss)	(3)	(20)	11
Gain on derecognition of noncontrolling interest		5	
Strategic transaction expenses	(13)	(4)	(3)
Insurance and other recoveries	10	4	2
Gain on sale of marketable securities	7	1	
Recognition of unrealized gain on payment-in-kind note receivable			2
Amounts attributable to previously divested/closed operations		1	
Other, net	9	11	17
Other income, net	<u>\$ 18</u>	<u>\$ 1</u>	<u>\$ 33</u>

Foreign exchange gains and losses on cross-currency intercompany loan balances that are not of a long-term investment nature are included above. Foreign exchange gains and losses on intercompany loans that are permanently invested are reported in OCI. During 2015, foreign exchange losses were primarily driven by the impact the strengthening U.S. dollar had on our Mexican peso and euro forward contracts. As discussed in Note 1 above, effective March 31, 2014, we ceased using the official bolivar exchange rate of 6.3 and began using the SICAD rate, which was 10.7 bolivars per U.S. dollar (as published by the Central Bank of Venezuela) at March 31, 2014, to remeasure the financial statements of our subsidiaries in Venezuela. The change to the SICAD rate resulted in a charge of \$17 during the first quarter of 2014. After remaining relatively unchanged during the second quarter the SICAD rate declined to 12.0 bolivars per U.S. dollar at September 30, 2014, resulting in a remeasurement charge of \$3 during the third quarter. During 2014, we realized gains of \$8 as CENCOEX approved a portion of our pending claims to settle U.S. dollar obligations at the official exchange rate of 6.3. Also during 2014, we realized net gains of \$14 on sales and purchases of U.S. dollars through SICAD 2 at average rates of 49.9 bolivars per U.S. dollar. The foreign exchange gains and losses associated with our subsidiaries in Venezuela are included in the segment EBITDA of our Light Vehicle operating segment.

Upon completion of the divestiture of our operations in Venezuela in January 2015, we recognized a gain on the derecognition of the noncontrolling interest in a former Venezuelan subsidiary.

Strategic transaction expenses relate primarily to costs incurred in connection with acquisition and divestiture related activities. The increase in strategic transaction expenses in 2016 is primarily attributable to our acquisition of SJT Forjaria Ltda. and our divestitures of DCLLC and Nippon Reinz. See Notes 2 and 3 for additional information.

During 2016, we received a recovery of costs previously incurred on behalf of other participants in a consortium that existed to administer certain legacy personal injury claims. During 2015, we reached a settlement with an insurance carrier for the recovery of previously incurred legal costs. During 2014, we received a payment from the liquidation proceedings of insurers.

The sale of our payment-in-kind note receivable during the first quarter of 2014 resulted in the recognition of the remaining unrealized gain that arose following the valuation of the note receivable below its callable value at emergence from bankruptcy.

As part of correcting overstatements of our pension and postretirement obligations and goodwill in September 2014, we credited Other income, net for \$6 to effectively reverse a portion of the write-off of goodwill assigned to our former Driveshaft segment in 2008. See Note 1 for additional information.

Note 19. Segments, Geographical Area and Major Customer Information

We are a global provider of high technology driveline, sealing and thermal-management products for virtually every major vehicle manufacturer in the on-highway and off-highway markets. Our driveline products – axles, driveshafts and transmissions – are delivered through our Light Vehicle, Commercial Vehicle and Off-Highway operating segments. Our fourth global operating segment – Power Technologies – is the center of excellence for the sealing and thermal technologies that span all customers in our on-highway and off-highway markets. These operating segments have global responsibility and accountability for business commercial activities and financial performance.

Dana evaluates the performance of its operating segments based on external sales and segment EBITDA. Segment EBITDA is a primary driver of cash flows from operations and a measure of our ability to maintain and continue to invest in our operations and provide shareholder returns. Our segments are charged for corporate and other shared administrative costs. Segment EBITDA may not be comparable to similarly titled measures reported by other companies.

Segment information —

	External Sales	Inter-Segment Sales	Segment EBITDA	Capital Spend	Depreciation	Net Assets
2016						
Light Vehicle	\$ 2,607	\$ 113	\$ 279	\$ 208	\$ 71	\$ 1,194
Commercial Vehicle	1,254	83	96	34	33	699
Off-Highway	909	30	129	21	20	262
Power Technologies	1,056	14	158	32	29	440
Eliminations and other		(240)		27	20	760
Total	<u>\$ 5,826</u>	<u>\$ —</u>	<u>\$ 662</u>	<u>\$ 322</u>	<u>\$ 173</u>	<u>\$ 3,355</u>
2015						
Light Vehicle	\$ 2,482	\$ 126	\$ 262	\$ 140	\$ 63	\$ 1,002
Commercial Vehicle	1,533	95	100	33	32	692
Off-Highway	1,040	37	147	18	20	310
Power Technologies	1,005	15	149	34	28	423
Eliminations and other		(273)		35	15	467
Total	<u>\$ 6,060</u>	<u>\$ —</u>	<u>\$ 658</u>	<u>\$ 260</u>	<u>\$ 158</u>	<u>\$ 2,894</u>
2014						
Light Vehicle	\$ 2,496	\$ 139	\$ 250	\$ 129	\$ 63	\$ 1,003
Commercial Vehicle	1,838	92	172	38	34	870
Off-Highway	1,231	37	169	23	21	346
Power Technologies	1,052	19	154	30	32	445
Eliminations and other		(287)		14	14	360
Total	<u>\$ 6,617</u>	<u>\$ —</u>	<u>\$ 745</u>	<u>\$ 234</u>	<u>\$ 164</u>	<u>\$ 3,024</u>

Net assets include certain cash balances, accounts receivable, inventories, other current assets, certain intangibles, investments in affiliates, other noncurrent assets, net property, plant and equipment, notes payable and short term debt, accounts payable and current accrued liabilities.

Reconciliation of segment EBITDA to consolidated net income —

	2016	2015	2014
Segment EBITDA	\$ 662	\$ 658	\$ 745
Corporate expense and other items, net	(2)	(6)	1
Depreciation	(173)	(158)	(164)
Amortization of intangibles	(9)	(16)	(49)
Restructuring	(36)	(15)	(21)
Stock compensation expense	(17)	(14)	(16)
Strategic transaction expenses	(13)	(4)	(3)
Other items	(2)	(6)	9
Loss on sale of subsidiaries	(80)		
Impairment of long-lived assets		(36)	
Distressed supplier costs	(1)	(8)	
Amounts attributable to previously divested/closed operations	3	(6)	
Loss on disposal group held for sale			(80)
Pension settlement charges			(42)
Loss on extinguishment of debt	(17)	(2)	(19)
Gain on derecognition of noncontrolling interest		5	
Recognition of unrealized gain on payment-in-kind note receivable			2
Interest expense	(113)	(113)	(118)
Interest income	13	13	15
Income from continuing operations before income taxes	<u>215</u>	<u>292</u>	<u>260</u>
Income tax expense (benefit)	(424)	82	(70)
Equity in earnings (losses) of affiliates	14	(34)	13
Income from continuing operations	<u>653</u>	<u>176</u>	<u>343</u>
Income (loss) from discontinued operations		4	(15)
Net income	<u>\$ 653</u>	<u>\$ 180</u>	<u>\$ 328</u>

Reconciliation of segment net assets to consolidated total assets —

	2016	2015
Segment net assets	\$ 3,355	\$ 2,894
Accounts payable and other current liabilities	1,254	1,090
Other current and long-term assets	251	317
Consolidated total assets	<u>\$ 4,860</u>	<u>\$ 4,301</u>

Geographic information — Of our 2016 consolidated net sales, the U.S., Italy and Germany account for 46%, 9% and 6%, respectively. No other country accounted for more than 5% of our consolidated net sales during 2016. Sales are attributed to the location of the product entity recording the sale. Long-lived assets represent property, plant and equipment.

	Net Sales			Long-Lived Assets		
	2016	2015	2014	2016	2015	2014
North America						
United States	\$ 2,695	\$ 2,805	\$ 2,760	\$ 634	\$ 441	\$ 368
Other North America	433	405	366	80	90	111
Total	<u>3,128</u>	<u>3,210</u>	<u>3,126</u>	<u>714</u>	<u>531</u>	<u>479</u>
Europe						
Italy	499	570	703	58	58	61
Germany	377	368	429	98	100	106
Other Europe	740	785	846	157	153	151
Total	<u>1,616</u>	<u>1,723</u>	<u>1,978</u>	<u>313</u>	<u>311</u>	<u>318</u>
South America	338	377	771	172	99	141
Asia Pacific	744	750	742	214	226	238
Total	<u>\$ 5,826</u>	<u>\$ 6,060</u>	<u>\$ 6,617</u>	<u>\$ 1,413</u>	<u>\$ 1,167</u>	<u>\$ 1,176</u>

Sales to major customers — Ford is the only individual customer to whom sales have exceeded 10% of our consolidated sales in the past three years. Sales to Ford for the three most recent years were \$1,300 (22%) in 2016, \$1,187 (20%) in 2015 and \$1,217 (18%) in 2014.

Note 20. Equity Affiliates

We have a number of investments in entities that engage in the manufacture of vehicular parts – primarily axles, driveshafts and wheel-end braking systems – supplied to OEMs.

Dividends received from equity affiliates were \$11, \$16 and \$16 in 2016, 2015 and 2014.

Equity method investments exceeding \$5 at December 31, 2016 —

	Ownership Percentage	Investment
Dongfeng Dana Axle Co., Ltd. (DDAC)	50%	\$ 85
Bendix Spicer Foundation Brake, LLC	20%	47
Axles India Limited	48%	7
All others as a group		9
Investments in equity affiliates		<u>148</u>
Investment in affiliates carried at cost		2
Investment in affiliates		<u>\$ 150</u>

Our equity method investments in DDAC, Bendix Spicer Foundation Brake, LLC and Axles India Limited are included in the net assets of our Commercial Vehicle operating segment.

The significant decline in China's commercial vehicle market during 2015 resulted in a series of monthly operating losses by DDAC. These factors when combined with updated long-range plan information received from DDAC in the fourth quarter of 2015, which incorporated China's projected "new normal" future growth rate, indicated that we may not be able to recover the carrying value of our investment in DDAC. During the fourth quarter of 2015, we calculated the fair value of our investment in DDAC to determine if we had an other-than-temporary decline in the carrying value of our investment. We used both the discounted cash flow (an income approach) and guideline public company (a market approach) methods, weighting each equally, to fair value our investment in DDAC. The discounted cash flow method used DDAC's updated long-range plan and focuses on estimating the expected after-tax cash flows attributable to the subject company over its life and converting these after-tax cash flows to present value through discounting. The discount rate of 16.0% which was used in our assessment accounts for both the time value of money and subject company risk factors. The guideline public company method focuses on comparing a subject company to reasonably similar (or "guideline") publicly-traded companies. Under this method, valuation

multiples are: (i) derived from the operating data of selected guideline public companies; (ii) evaluated and adjusted based on the strengths and weaknesses of the subject company relative to the selected guideline companies; and (iii) applied to the operating data of the subject company to arrive at an indication of fair value. The carrying value of our investment in DDAC exceeded the calculated fair value by \$39. The \$39 impairment charge has been included in equity in earnings of affiliates.

The carrying value of our equity method investments at December 31, 2016 was \$27 more than our share of the affiliates' book value, including \$19 attributable to goodwill. The difference between the investment carrying value and the amount of underlying equity in assets, excluding goodwill, is being amortized on a straight-line basis over the underlying assets' estimated useful lives of five to forty-five years.

Summarized financial information for DDAC and other equity affiliates on a combined basis —

	DDAC			Other Equity Affiliates Combined		
	2016	2015	2014	2016	2015	2014
Sales	\$ 646	\$ 554	\$ 762	\$ 498	\$ 582	\$ 564
Gross profit	\$ 83	\$ 45	\$ 82	\$ 98	\$ 113	\$ 100
Income (loss) before income taxes	\$ 15	\$ (14)	\$ 23	\$ 26	\$ 42	\$ 33
Net income (loss)	\$ 18	\$ (6)	\$ 17	\$ 24	\$ 40	\$ 32
Dana's equity in earnings (loss) of affiliate	\$ 7	\$ (45)	\$ 5	\$ 7	\$ 11	\$ 8

	DDAC		Other Equity Affiliates Combined	
	2016	2015	2016	2015
Current assets	\$ 547	\$ 406	\$ 169	\$ 180
Noncurrent assets	191	206	74	71
Total assets	<u>\$ 738</u>	<u>\$ 612</u>	<u>\$ 243</u>	<u>\$ 251</u>
Current liabilities	\$ 512	\$ 385	\$ 96	\$ 97
Noncurrent liabilities	87	95	13	12
Total liabilities	<u>\$ 599</u>	<u>\$ 480</u>	<u>\$ 109</u>	<u>\$ 109</u>

Dana Incorporated
Quarterly Results (Unaudited)
(In millions, except per share amounts)

2016	First Quarter	Second Quarter	Third Quarter	Fourth Quarter
Net sales	\$ 1,449	\$ 1,546	\$ 1,384	\$ 1,447
Gross margin	\$ 199	\$ 233	\$ 208	\$ 204
Net income	\$ 48	\$ 55	\$ 61	\$ 489
Net income attributable to the parent company	\$ 45	\$ 53	\$ 57	\$ 485
Net income per share available to parent company common stockholders				
Basic	\$ 0.30	\$ 0.36	\$ 0.40	\$ 3.37
Diluted	\$ 0.30	\$ 0.36	\$ 0.39	\$ 3.34
<hr/>				
2015	First Quarter	Second Quarter	Third Quarter	Fourth Quarter
Net sales	\$ 1,608	\$ 1,609	\$ 1,468	\$ 1,375
Gross margin	\$ 228	\$ 236	\$ 213	\$ 172
Net income (loss)	\$ 74	\$ 63	\$ 122	\$ (79)
Net income (loss) attributable to the parent company	\$ 63	\$ 59	\$ 119	\$ (82)
Net income (loss) per share available to parent company common stockholders				
Basic	\$ 0.38	\$ 0.36	\$ 0.75	\$ (0.54)
Diluted	\$ 0.38	\$ 0.36	\$ 0.75	\$ (0.54)

Note: Gross margin is net sales less cost of sales.

Net income for the fourth quarter of 2016 includes a combined loss of \$80 (\$52 after tax) on the divestiture of our Nippon Reinzo Co. Ltd. and Dana Companies, LLC subsidiaries and a \$476 credit resulting from the release of valuation allowance on our U.S. deferred tax assets of \$501 net of an increase in valuation allowance of \$25 in Brazil. Net income for the second quarter of 2016 includes a \$17 pre-tax loss on extinguishment of debt. Net income for the third quarter of 2015 includes a \$36 (\$24 after tax) loss on impairment of long-lived assets and a deferred tax asset valuation allowance release of \$100. Net income for the fourth quarter of 2015 includes a \$39 impairment loss related to our equity method investment in DDAC, a charge resulting from deferred tax asset valuation allowance adjustments of \$49 and tax expense of \$23 on the sale of an affiliate's stock to a non-U.S. affiliate.

Dana Incorporated
Schedule II
Valuation and Qualifying Accounts and Reserves
(In millions)

Amounts deducted from assets in the balance sheets —

	Balance at beginning of period	Amounts charged (credited) to income	Allowance utilized	Adjustments arising from change in currency exchange rates and other items	Balance at end of period
Accounts Receivable - Allowance for Doubtful Accounts					
2016	\$ 5	\$ 2	\$ —	\$ (1)	\$ 6
2015	\$ 6	\$ 1	\$ (1)	\$ (1)	\$ 5
2014	\$ 7	\$ 1	\$ (1)	\$ (1)	\$ 6
Inventory Reserves					
2016	\$ 46	\$ 19	\$ (13)	\$ (1)	\$ 51
2015	\$ 48	\$ 18	\$ (16)	\$ (4)	\$ 46
2014	\$ 48	\$ 20	\$ (15)	\$ (5)	\$ 48
Deferred Tax Assets - Valuation Allowance					
2016	\$ 662	\$ (483)	\$ —	\$ 106	\$ 285
2015	\$ 728	\$ (49)	\$ (1)	\$ (16)	\$ 662
2014	\$ 982	\$ (246)	\$ (7)	\$ (1)	\$ 728

Item 9. Changes In and Disagreements with Accountants on Accounting and Financial Disclosure

None.

Item 9A. Controls and Procedures

Disclosure controls and procedures — Our management, with the participation of our Chief Executive Officer and Chief Financial Officer, has evaluated the effectiveness of our disclosure controls and procedures (as such term is defined in Rule 13a-15(e) under the Securities Exchange Act of 1934, as amended, (the Exchange Act)) as of the end of the period covered by this report. Based on such evaluations, our Chief Executive Officer and Chief Financial Officer have concluded that, as of the end of such period, our disclosure controls and procedures are effective.

Management's report on internal control over financial reporting — Our management is responsible for establishing and maintaining adequate internal control over financial reporting, as such term is defined in Exchange Act Rule 13a-15(f). Management, with the participation of the Chief Executive Officer and Chief Financial Officer, has evaluated the effectiveness of our internal control over financial reporting based on the framework in Internal Control – Integrated Framework (2013) issued by the Committee of Sponsoring Organizations of the Treadway Commission. As permitted by Securities and Exchange Commission guidance, management excluded from its assessment of internal control over financial reporting SJT Forjaria Ltda., which was acquired on December 23, 2016 and accounted for less than 2% of Dana's consolidated total assets and none of Dana's consolidated net sales as of and for the year ended December 31, 2016. Based on this evaluation, management has concluded that, as of December 31, 2016, our internal control over financial reporting was effective.

Because of its inherent limitations, internal control over financial reporting may not prevent or detect misstatements. Also, projections of any evaluation of effectiveness to future periods are subject to risk that controls may become inadequate because of changes in conditions, or that the degree of compliance with the policies or procedures may deteriorate.

PricewaterhouseCoopers LLP, an independent registered public accounting firm, has audited the effectiveness of our internal control over financial reporting as of December 31, 2016, as stated in its report which is included herein.

Changes in internal control over financial reporting — There has been no change in our internal control over financial reporting during the quarter ended December 31, 2016 that has materially affected, or is reasonably likely to materially affect, our internal control over financial reporting.

Item 9B. Other Information

None.

PART III

Item 10. Directors, Executive Officers and Corporate Governance

Dana has adopted Standards of Business Conduct that apply to all of its officers and employees worldwide. Dana also has adopted Standards of Business Conduct for the Board of Directors. Both documents are available on Dana's Internet website at <http://www.dana.com/investors>.

The remainder of the response to this item will be included under the sections captioned "Corporate Governance," "Selection of Chairman and Chief Executive Officer; Succession Planning," "Information About the Nominees," "Risk Oversight," "Committees and Meetings of Directors," "Executive Officers" and "Section 16(a) Beneficial Ownership Reporting Compliance" of Dana's definitive Proxy Statement relating to the Annual Meeting of Shareholders to be held on April 27, 2017, which sections are hereby incorporated herein by reference.

Item 11. Executive Compensation

The response to this item will be included under the sections captioned "Compensation Committee Interlocks and Insider Participation," "Compensation of Executive Officers," "Compensation Discussion and Analysis," "Compensation of Directors," "Officer Stock Ownership Guidelines," "Compensation Committee Report," "Summary Compensation Table," "Grants of Plan-Based Awards at Fiscal Year-End," "Outstanding Equity Awards at Fiscal Year-End," "Option Exercises and Stock Vested During Fiscal Year," "Pension Benefits," "Nonqualified Deferred Compensation at Fiscal Year-End," "Executive Agreements" and "Potential Payments and Benefits Upon Termination or Change in Control" of Dana's definitive Proxy

Statement relating to the Annual Meeting of Shareholders to be held on April 27, 2017, which sections are hereby incorporated herein by reference.

Item 12. Security Ownership of Certain Beneficial Owners and Management and Related Stockholder Matters

The response to this item will be included under the section captioned “Security Ownership of Certain Beneficial Owners and Management” of Dana’s definitive Proxy Statement relating to the Annual Meeting of Shareholders to be held on April 27, 2017, which section is hereby incorporated herein by reference.

Equity Compensation Plan Information

The following table contains information at December 31, 2016 about shares of stock which may be issued under our equity compensation plans, all of which have been approved by our shareholders.

(Shares in millions) Plan Category	Number of Securities to be Issued Upon Exercise of Outstanding Options, Warrants and Rights(1)	Weighted Average Exercise Price of Number of Securities to be Issued Upon Exercise of Outstanding Options, Warrants and Rights(2)	Number of Securities Remaining Available for Future Issuance
Equity compensation plans approved by security holders	3.9	\$ 14.56	3.2
Equity compensation plans not approved by security holders			
Total	3.9	\$ 14.56	3.2

Notes:

- (1) In addition to stock options, restricted stock units and performance shares have been awarded under Dana's equity compensation plans and were outstanding at December 31, 2016.
- (2) Calculated without taking into account the 2.4 shares of common stock subject to outstanding restricted stock and performance share units that become issuable as those units vest since they have no exercise price and no cash consideration or other payment is required for such shares.

Item 13. Certain Relationships and Related Transactions and Director Independence

The response to this item will be included under the sections captioned “Director Independence and Transactions of Directors with Dana,” “Transactions of Executive Officers with Dana” and “Information about the Nominees” of Dana’s definitive Proxy Statement relating to the Annual Meeting of Shareholders to be held on April 27, 2017, which sections are hereby incorporated herein by reference.

Item 14. Principal Accountant Fees and Services

The response to this item will be included under the section captioned "Independent Auditors" of Dana's definitive Proxy Statement relating to the Annual Meeting of Shareholders to be held on April 27, 2017, which section is hereby incorporated herein by reference.

PART IV

Item 15. Exhibits and Financial Statement Schedules

	<u>10-K</u> <u>Pages</u>
(a) List of documents filed as a part of this report:	
1. Consolidated Financial Statements:	
Report of Independent Registered Public Accounting Firm	<u>41</u>
Consolidated Statement of Operations	<u>42</u>
Consolidated Statement of Comprehensive Income	<u>43</u>
Consolidated Balance Sheet	<u>44</u>
Consolidated Statement of Cash Flows	<u>45</u>
Consolidated Statement of Stockholders' Equity	<u>46</u>
Notes to the Consolidated Financial Statements	<u>47</u>
2. Quarterly Results (Unaudited)	<u>92</u>
3. Financial Statement Schedule:	
Valuation and Qualifying Accounts and Reserves (Schedule II)	<u>93</u>
All other schedules are omitted because they are not applicable or the required information is shown in the financial statements or notes thereto.	
4. Exhibit Index	<u>98</u>

SIGNATURES

Pursuant to the requirements of Section 13 or 15(d) of the Securities Exchange Act of 1934, the registrant has duly caused this report to be signed on its behalf by the undersigned, hereunto duly authorized.

DANA INCORPORATED

Date: February 10, 2017

By: /s/ James K. Kamsickas

James K. Kamsickas

President and Chief Executive Officer

Pursuant to the requirements of the Securities Exchange Act of 1934, this report has been signed below on this 10th day of February 2017 by the following persons on behalf of the registrant and in the capacities indicated, including a majority of the directors.

Signature

/s/ James K. Kamsickas

James K. Kamsickas

/s/ Jonathan M. Collins

Jonathan M. Collins

/s/ Rodney R. Filcek

Rodney R. Filcek

/s/ Virginia A. Kamsky*

Virginia A. Kamsky

/s/ Terrence J. Keating*

Terrence J. Keating

/s/ R. Bruce McDonald*

R. Bruce McDonald

/s/ Mark A. Schulz*

Mark A. Schulz

/s/ Keith E. Wandell*

Keith E. Wandell

Title

President and Chief Executive Officer

(Principal Executive Officer)

Executive Vice President and Chief Financial Officer

(Principal Financial Officer)

Senior Vice President and Chief Accounting Officer

(Principal Accounting Officer)

Director

Director

Director

Director

Non-Executive Chairman and Director

*By: /s/ Marc S. Levin

Marc S. Levin, Attorney-in-Fact

EXHIBIT INDEX

All documents referenced below were filed by Dana Corporation or Dana Incorporated (as successor registrant) - file number 001-01063, unless otherwise indicated.

No.	Description
3.1	Second Restated Certificate of Incorporation of Dana Holding Corporation. Filed as Exhibit 3.2 to Registrant's Current Report on Form 8-K dated October 29, 2014, and incorporated herein by reference.
3.2	Certificate of Amendment to the Second Restated Certificate of Incorporation of Dana Holding Corporation. Filed as Exhibit 3.1 to Registrant's Current Report on Form 8-K dated August 1, 2016, and incorporated herein by reference.
3.3	Amended and Restated Bylaws of Dana Holding Corporation. Filed as Exhibit 3.2 to Registrant's Current Report on Form 8-K dated August 1, 2016, and incorporated herein by reference.
4.1	Specimen Common Stock Certificate. Filed as Exhibit 4.1 to Registrant's Registration Statement on Form 8-A dated January 31, 2008, and incorporated herein by reference.
4.2	Indenture, dated as of January 28, 2011, among Dana and Wells Fargo Bank, National Association, as trustee. Filed as Exhibit 4.6 to Registrant's Annual Report on Form 10-K for the fiscal year ended December 31, 2010, and incorporated herein by reference.
4.3	Second Supplemental Indenture, dated August 2, 2013, with respect to the Indenture, dated January 28, 2011, between Dana Holding Corporation and Wells Fargo Bank, National Association, as trustee. Filed as Exhibit 4.1 to Registrant's Current Report on Form 8-K dated August 5, 2013, and incorporated herein by reference.
4.4	Third Supplemental Indenture, dated December 9, 2014, with respect to the Indenture, dated January 28, 2011, between Dana Holding Corporation and Wells Fargo Bank, National Association, as trustee. Filed as Exhibit 4.1 to Registrant's Current Report on Form 8-K dated December 9, 2014, and incorporated herein by reference.
4.5	Indenture, dated as of May 27, 2016, among Dana Luxembourg Financing S.à r.l., Dana Holding Corporation and Wells Fargo Bank, National Association, as trustee. Filed as Exhibit 4.1 to Registrant's Current Report on Form 8-K dated May 27, 2016, and incorporated herein by reference.
10.1**	Executive Employment Agreement dated August 11, 2015 by and between James K. Kamsickas and Dana Holding Corporation. Filed as Exhibit 10.1 to Registrant's Annual Report on Form 10-K for the fiscal year ended December 31, 2015, and incorporated herein by reference.
10.2**	Form of Proprietary Interest Protection and Non-Solicitation Agreement. Filed as Exhibit 10.3 to Registrant's Quarterly Report on Form 10-Q for the quarter ended June 30, 2011, and incorporated herein by reference.
10.3**	Dana Limited Supplemental Executive Retirement Plan. Filed as Exhibit 10.4 to Registrant's Annual Report on Form 10-K for the fiscal year ended December 31, 2012, and incorporated herein by reference.
10.4**	Dana Holding Corporation 2008 Omnibus Incentive Plan. Filed as Exhibit 10.10 to Registrant's Current Report on Form 8-K dated February 6, 2008, and incorporated herein by reference.
10.5**	Dana Holding Corporation 2012 Omnibus Incentive Plan. Filed as Exhibit 4.3 to Registrant's Form S-8 Registration Statement dated May 2, 2012, and incorporated herein by reference.
10.6**	Form of Indemnification Agreement. Filed as Exhibit 10.4 to Registrant's Current Report on Form 8-K dated February 6, 2008, and incorporated herein by reference.
10.7**	Form of Option Right Agreement for Non-Employee Directors. Filed as Exhibit 10.22 to Registrant's Annual Report on Form 10-K for the fiscal year ended December 31, 2007, and incorporated herein by reference.
10.8**	Form of Restricted Stock Unit Award Agreement for Non-Employee Directors. Filed as Exhibit 10.23 to Registrant's Annual Report on Form 10-K for the fiscal year ended December 31, 2007, and incorporated herein by reference.
10.9**	Form of Option Agreement under the Dana Holding Corporation 2008 Omnibus Incentive Plan. Filed as Exhibit 10.38 to Registrant's Annual Report on Form 10-K for the fiscal year ended December 31, 2008, and incorporated herein by reference.
10.10**	Form of Restricted Stock Unit Agreement under the Dana Holding Corporation 2008 Omnibus Incentive Plan. Filed as Exhibit 10.39 to Registrant's Annual Report on Form 10-K for the fiscal year ended December 31, 2008, and incorporated herein by reference.
10.11**	Form of Performance Share Agreement under the Dana Holding Corporation 2008 Omnibus Incentive Plan. Filed as Exhibit 10.40 to Registrant's Annual Report on Form 10-K for the fiscal year ended December 31, 2008, and incorporated herein by reference.
10.12**	Form of Share Appreciation Rights Agreement under the Dana Holding Corporation 2008 Omnibus Incentive Plan. Filed as Exhibit 10.41 to Registrant's Annual Report on Form 10-K for the fiscal year ended December 31, 2008, and incorporated herein by reference.
10.13**	Form of Option Agreement under the Dana Holding Corporation 2012 Omnibus Incentive Plan. Filed as Exhibit 10.15 to Registrant's Annual Report on Form 10-K for the fiscal year ended December 31, 2012, and incorporated herein by reference.

No.	Description
10.14**	Form of Restricted Stock Unit Agreement under the Dana Holding Corporation 2012 Omnibus Incentive Plan. Filed as Exhibit 10.16 to Registrant's Annual Report on Form 10-K for the fiscal year ended December 31, 2012, and incorporated herein by reference.
10.15**	Form of Performance Share Agreement under the Dana Holding Corporation 2012 Omnibus Incentive Plan. Filed as Exhibit 10.17 to Registrant's Annual Report on Form 10-K for the fiscal year ended December 31, 2012, and incorporated herein by reference.
10.16**	Form of Share Appreciation Rights Agreement under the Dana Holding Corporation 2012 Omnibus Incentive Plan. Filed as Exhibit 10.18 to Registrant's Annual Report on Form 10-K for the fiscal year ended December 31, 2012, and incorporated herein by reference.
10.17**	Dana Holding Corporation Executive Perquisite Plan. Filed as Exhibit 10.4 to Registrant's Current Report on Form 8-K dated April 18, 2008, and incorporated herein by reference.
10.18**	Dana Holding Corporation Executive Severance Plan. Filed as Exhibit 10.1 to Registrant's Current Report on Form 8-K dated June 24, 2008, and incorporated herein by reference.
10.19	Revolving Credit and Guaranty Agreement, dated as of June 9, 2016, among Dana Holding Corporation, as borrower, the guarantors party thereto, Citibank, N.A., as administrative agent and collateral agent, and the other lenders party thereto. Filed as Exhibit 10.1 to Registrant's Current Report on Form 8-K dated June 9, 2016, and incorporated herein by reference.
10.20	Revolving Facility Security Agreement, dated as of June 9, 2016, from Dana Holding Corporation and the other guarantors referred to therein, as grantors, to Citibank, N.A., as collateral agent. Filed as Exhibit 10.2 to Registrant's Current Report on Form 8-K dated June 9, 2016, and incorporated herein by reference.
12	Computation of Ratio of Earnings to Fixed Charges. Filed with this Report.
21	List of Consolidated Subsidiaries of Dana Incorporated. Filed with this Report.
23	Consent of PricewaterhouseCoopers LLP. Filed with this Report.
24	Power of Attorney. Filed with this Report.
31.1	Rule 13a-14(a)/15d-14(a) Certification by Chief Executive Officer. Filed with this Report.
31.2	Rule 13a-14(a)/15d-14(a) Certification by Chief Financial Officer. Filed with this Report.
32	Section 1350 Certification of Periodic Report (pursuant to Section 906 of the Sarbanes-Oxley Act of 2002). Filed with this Report.
101	The following materials from Dana Incorporated's Annual Report on Form 10-K for the year ended December 31, 2016, formatted in XBRL (Extensible Business Reporting Language): (i) the Consolidated Statement of Operations, (ii) the Consolidated Statement of Comprehensive Income, (iii) the Consolidated Balance Sheet, (iv) the Consolidated Statement of Cash Flows, (v) the Consolidated Statement of Shareholders' Equity and (vi) Notes to the Consolidated Financial Statements, filed herewith.
**	Management contract or compensatory plan required to be filed as part of an exhibit pursuant to Item 15(b) of Form 10-K.

CERTIFICATION OF CHIEF EXECUTIVE OFFICER

I, James K. Kamsickas, certify that:

1. I have reviewed this Annual Report on Form 10-K of Dana Incorporated;

2. Based on my knowledge, this report does not contain any untrue statement of a material fact or omit to state a material fact necessary to make the statements made, in light of the circumstances under which such statements were made, not misleading with respect to the period covered by this report;

3. Based on my knowledge, the financial statements, and other financial information included in this report, fairly present in all material respects the financial condition, results of operations and cash flows of the registrant as of, and for, the periods presented in this report;

4. The registrant's other certifying officer and I are responsible for establishing and maintaining disclosure controls and procedures (as defined in Exchange Act Rules 13a-15(e) and 15d-15(e)) and internal control over financial reporting (as defined in Exchange Act Rules 13a-15(f) and 15d-15(f)) for the registrant and have:

- (a) Designed such disclosure controls and procedures, or caused such disclosure controls and procedures to be designed under our supervision, to ensure that material information relating to the registrant, including its consolidated subsidiaries, is made known to us by others within those entities, particularly during the period in which this report is being prepared;
- (b) Designed such internal control over financial reporting, or caused such internal control over financial reporting to be designed under our supervision, to provide reasonable assurance regarding the reliability of financial reporting and the preparation of financial statements for external purposes in accordance with generally accepted accounting principles;
- (c) Evaluated the effectiveness of the registrant's disclosure controls and procedures and presented in this report our conclusions about the effectiveness of the disclosure controls and procedures, as of the end of the period covered by this report based on such evaluation; and
- (d) Disclosed in this report any change in the registrant's internal control over financial reporting that occurred during the registrant's most recent fiscal quarter (the registrant's fourth fiscal quarter in the case of an annual report) that has materially affected, or is reasonably likely to materially affect, the registrant's internal control over financial reporting; and

5. The registrant's other certifying officer and I have disclosed, based on our most recent evaluation of internal control over financial reporting, to the registrant's auditors and the audit committee of the registrant's board of directors (or persons performing the equivalent functions):

- (a) All significant deficiencies and material weaknesses in the design or operation of internal control over financial reporting which are reasonably likely to adversely affect the registrant's ability to record, process, summarize and report financial information; and
- (b) Any fraud, whether or not material, that involves management or other employees who have a significant role in the registrant's internal control over financial reporting.

Date: February 10, 2017

/s/ James K. Kamsickas

James K. Kamsickas

President and Chief Executive Officer

CERTIFICATION OF CHIEF FINANCIAL OFFICER

I, Jonathan M. Collins, certify that:

1. I have reviewed this Annual Report on Form 10-K of Dana Incorporated;

2. Based on my knowledge, this report does not contain any untrue statement of a material fact or omit to state a material fact necessary to make the statements made, in light of the circumstances under which such statements were made, not misleading with respect to the period covered by this report;

3. Based on my knowledge, the financial statements, and other financial information included in this report, fairly present in all material respects the financial condition, results of operations and cash flows of the registrant as of, and for, the periods presented in this report;

4. The registrant's other certifying officer and I are responsible for establishing and maintaining disclosure controls and procedures (as defined in Exchange Act Rules 13a-15(e) and 15d-15(e)) and internal control over financial reporting (as defined in Exchange Act Rules 13a-15(f) and 15d-15(f)) for the registrant and have:

- (a) Designed such disclosure controls and procedures, or caused such disclosure controls and procedures to be designed under our supervision, to ensure that material information relating to the registrant, including its consolidated subsidiaries, is made known to us by others within those entities, particularly during the period in which this report is being prepared;
- (b) Designed such internal control over financial reporting, or caused such internal control over financial reporting to be designed under our supervision, to provide reasonable assurance regarding the reliability of financial reporting and the preparation of financial statements for external purposes in accordance with generally accepted accounting principles;
- (c) Evaluated the effectiveness of the registrant's disclosure controls and procedures and presented in this report our conclusions about the effectiveness of the disclosure controls and procedures, as of the end of the period covered by this report based on such evaluation; and
- (d) Disclosed in this report any change in the registrant's internal control over financial reporting that occurred during the registrant's most recent fiscal quarter (the registrant's fourth fiscal quarter in the case of an annual report) that has materially affected, or is reasonably likely to materially affect, the registrant's internal control over financial reporting; and

5. The registrant's other certifying officer and I have disclosed, based on our most recent evaluation of internal control over financial reporting, to the registrant's auditors and the audit committee of the registrant's board of directors (or persons performing the equivalent functions):

- (a) All significant deficiencies and material weaknesses in the design or operation of internal control over financial reporting which are reasonably likely to adversely affect the registrant's ability to record, process, summarize and report financial information; and
- (b) Any fraud, whether or not material, that involves management or other employees who have a significant role in the registrant's internal control over financial reporting.

Date: February 10, 2017

/s/ Jonathan M. Collins

Jonathan M. Collins

Executive Vice President and Chief Financial Officer

CERTIFICATION PURSUANT TO 18 U.S.C. SECTION 1350

In connection with the Annual Report of Dana Incorporated (Dana) on Form 10-K for the year ended December 31, 2016, as filed with the Securities and Exchange Commission on the date hereof (the Report), each of the undersigned officers of Dana certifies pursuant to 18 U.S.C. Section 1350, as adopted pursuant to Section 906 of the Sarbanes-Oxley Act of 2002, that to such officer's knowledge:

- (1) The Report fully complies with the requirements of Section 13(a) or 15(d) of the Securities Exchange Act of 1934, and
- (2) The information contained in the Report fairly presents, in all material respects, the financial condition and results of operations of Dana as of the dates and for the periods expressed in the Report.

Date: February 10, 2017

/s/ James K. Kamsickas

James K. Kamsickas

President and Chief Executive Officer

/s/ Jonathan M. Collins

Jonathan M. Collins

Executive Vice President and Chief Financial Officer

(This page intentionally left blank.)

Investor Information

World Headquarters

Dana Incorporated
3939 Technology Drive
Maumee, OH 43537-7000
USA
Telephone: 419-887-3000
Fax: 419-887-5200

Annual Meeting Information

The 2017 Annual Meeting of Shareholders will be held at the Westin Detroit Metropolitan Airport in Romulus, Michigan, on April 27, 2017.

Independent Registered Public Accounting Firm

PricewaterhouseCoopers LLP
406 Washington St.
Suite 200
Toledo, OH 43604
USA

Form 10-K and Other Reports

Dana's Annual Report on Form 10-K and its Proxy Statement may be accessed online at www.dana.com/investors, or printed copies may be obtained without charge by writing:

Investor Relations
Dana Incorporated
P.O. Box 1000
Maumee, OH 43537-7000
USA

or by calling Dana's Investor Relations Department at 800-537-8823.

Stock Listing



The New York Stock Exchange is the principal market for Dana common stock.

Ticker Symbol: DAN

Shareholder Services

Inquiries related to shareholder records, such as change of name, address, or ownership of stock, should be directed to the transfer agent and registrar:

Wells Fargo Shareowner Services
Telephone: 800-468-9716 toll free
or direct: (651) 450-4064

Written Requests:
Shareowner Services
P.O. Box 64874
St. Paul, MN 55164-0874
USA

Certified/Overnight Mail:
Shareowner Services
1110 Centre Pointe Curve, Suite 101
Mendota Heights, MN 55120
USA

Wells Fargo's stock transfer website:
www.shareowneronline.com

Investor Services

Go to www.dana.com/investors to find the latest investor relations information about Dana, including stock quotes, news releases, and financial data.

Requests for information may be directed to:

Investor Relations
Dana Incorporated
P.O. Box 1000
Maumee, OH 43537-7000
USA

E-mail: InvestorRelations@dana.com
Dana's Investor Line: 800-537-8823

Through this 24-hour phone service, a caller may leave his or her name with a message, and the call will be returned by a Dana representative.



People Finding A Better Way[®]

www.dana.com